

Part number:

HYDROMA

HYDRAULICKÉ SYSTÉMY

**HIDROMA
SYSTEMS**

UKŁADY HYDRAULICZNE

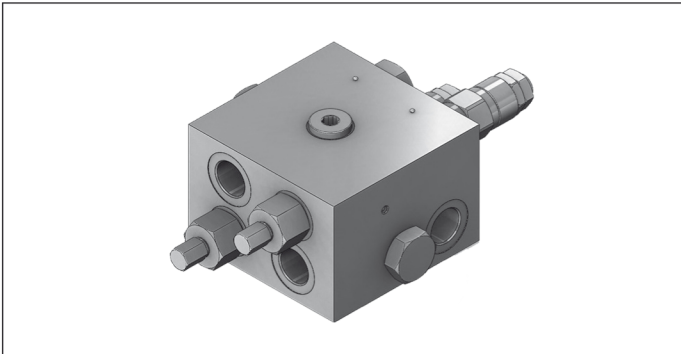
HYDROMA

ГИДРАВЛИЧЕСКИЕ СИСТЕМЫ

Motion control dual setting

VAA-B-SICN-PDRM-150

05.71.46 - X - 04 - Z



Technical data

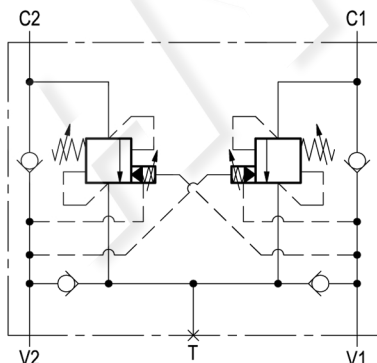
Operating pressure	up to 210 bar (3000 psi)
Max. flow	120 l/min. (32 gpm)
Weight	5.7 kg (12.6 psi)
Manifold material	Aluminium
Note: aluminium bodies are often strong enough for operating pressures exceeding 210 bar (3000 psi), depending from the fatigue life expected in the specific application. If in doubt, consult our Service Network.	
Fluid	Mineral oil (HL, HLP) according DIN 51524
Fluid temperature range	-30 °C to 100 (-22 to 212 °F)
Viscosity range	10 to 500 mm ² /s (cSt)
Recommended degree of fluid contamination	Class 19/17/14 according to ISO 4406
Other technical data	see data sheet 18350-50

Relief setting: at least 1.3 times the highest expected load.
The lower pressure setting (see table "SPRINGS") refers to flow "C1" to "C2" (or "C2" to "C1"), and is adjustable through register "A" (see the drawing).

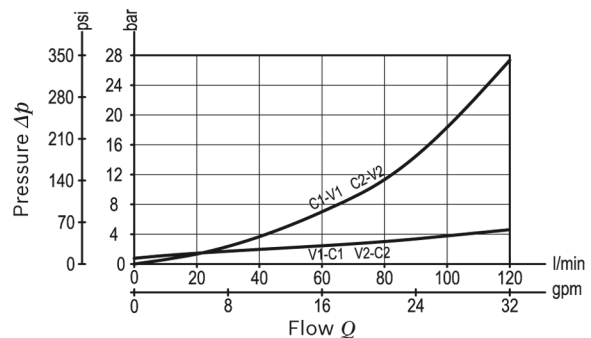
Note: for applications outside these parameters, please consult us.

Description

It provides static and dynamic motion control by regulating flow and pressure IN and OUT of the hydraulic motor at ports C1 and C2. When installed close to the motor, it can stop runaway in case of hose failure. The check sections allow free flow into the motor and prevent reverse movement; the pilot assisted relief valves control the movement when pilot pressure is applied. The relief valves operate with 2-levels pressure setting, both adjustable: higher setting when flow is delivered to the motor, and lower setting when flow is discharged by the motor during stopping. A system of check valves allows cross line relief and an optional make-up port (T) allows to compensate for any volume change.



Characteristic curve



Ordering code

05.71.46	X	04	Z
-----------------	----------	-----------	----------

Motion control dual setting

Pilot ratio

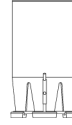
03 7.6:1

Port sizes	V1 - V2	C1 - C2	T
	G 3/4	G 3/4	G 1/2

SPRINGS		
Adj. pressure range bar (psi)	Pres. increase bar/turn (psi/turn)	Std. setting Q=5 (l/min) bar (psi)
35 100-350 (1450-5000)	100 (1450)	300 (4350) 120* (1740)

* Lower pressure setting.

Tamper resistant cap code ordering code 03.05.01.001
Mat. no. R930000470



Preferred types

Type	Material number
05714603043500C	R930006980

Type	Material number

Dimensions

