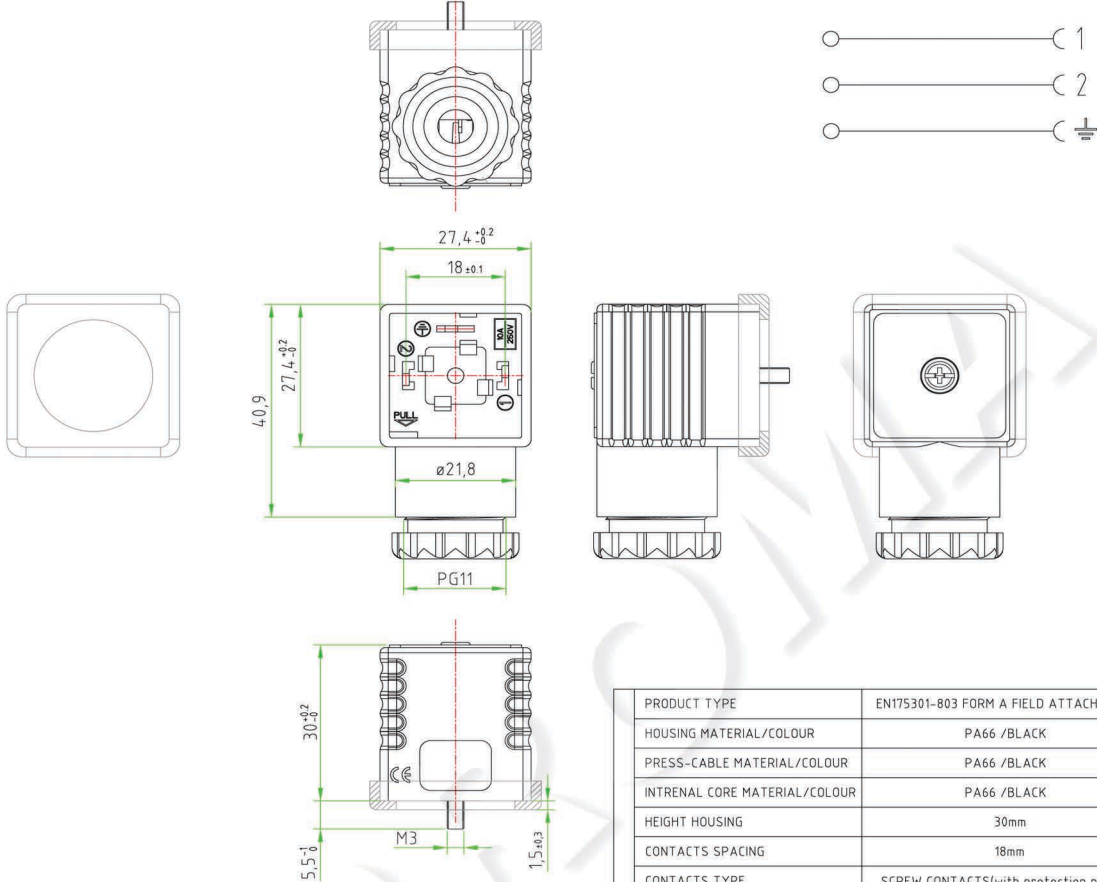


Part number:

Rev.	Modify	Date	Firma	Approved

Rev.	Modify	Date	Firma	Approved

Rev.	Modify	Date	Signed	Approved
01	-	16-10-18	SUGLIANI	CIMMINO



**CUSTOMER APPROVAL**

SIGNATURE	DATE

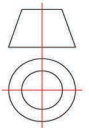
**PLEASE SIGN AND RETURN**

(REV. 01)

PRODUCT TYPE	EN175301-803 FORM A FIELD ATTACHABLE.
HOUSING MATERIAL/COLOUR	PA66 /BLACK
PRESS-CABLE MATERIAL/COLOUR	PA66 /BLACK
INTRENAL CORE MATERIAL/COLOUR	PA66 /BLACK
HEIGHT HOUSING	30mm
CONTACTS SPACING	18mm
CONTACTS TYPE	SCREW CONTACTS(with protection plate)
NUMBER OF POLES	2POLES+EARTH
EARTH POSITIONING	H.12 (TURNABLE)
CABLE EXIT	PG9/11 UNIFIED
SUITABLE CABLE	FROM ø6mm TO ø10mm
MAX.CONDUCTOR SIZE	1,5mm <sup>2</sup>
PROTECTION CLASS	IP67
CIRCUIT TYPE	WITHOUT ELECTRONIC
RATED VOLTAGE	250V AC / 300V DC
CONNECTOR TEMPERATURE RANGE	from -40°C to +90°C
GASKET TYPE	PROFILED NBR
FIXING SCREW	M3X0,5 L=32,5mm
CONNECTOR WITH H.T.P. LOGO	
PACKAGING: SINGLY PACKED IN THE PLASTIC BAG (WITHOUT ANY LOGO) INSERT ALL SINGLY PLASTIC BAGS IN THE BIG CARTON BOX: 500PCS ON EACH CARTON BOX MUST BE APPLIED THE WHITE LABEL WITH H.T.P. PART NUMBER IG1NU2000. NOT APPLY THE WHITE LABEL ON THE SINGLE PLASTIC BAG	

A4

Designer	SUGLIANI R.	Date	2016-05-27	Tolerance	±0,2	Units:	mm	Series	EN175301-803 (form A)	Drawing n.	1/1
Approved	CIMMINO L.	Date	2016-05-27	Scale	1:1	Size:	A4	Customer code:			



DESCRIPTION	H.T.P.PART NUMBER
SQUARE CONNECTOR EN175301-803 FORM A, FIELD ATTACHABLE, 2P.+PE, WITHOUT ELECTRONIC, 250V AC / 300V DC, BLACK HOUSING, PG9/11 unified. CONNECTOR WITH H.T.P. LOGO.	IG1NU2000