

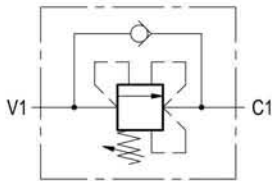
Part number:

RE 18309-87/04.10 1/2
Replaces: RE 00171/02.07

Sequence, direct acting poppet type, compensated

VSQ-CC-30

05.21.11 - X - Y - Z



Description

Initially, the flow goes to a side line connected to V1, not shown here, and energizes a first actuator until pressure increases to meet the selected valve setting; then flow opens the relief cartridge and passes from V1 to C1 energizing the second actuator connected to C1. The valve applies a balanced relief piston allowing relief operation at the valve setting independent of back-pressure at C1. With line pressure equal or higher than setting, after valve opening, the full pressure is transferred from V1 to C1 and to the second actuator. The hydraulic damping of the relief piston provides enhanced stability at all flows. The check valve allows reverse flow, from C1 to V1.

Technical data

Hydraulic

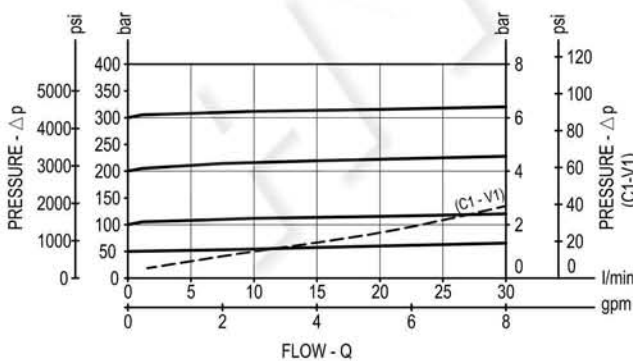
Operating pressure	bar (psi)	up to 210 (3000)
Max. flow	l/min (gpm)	30 (8)

For a good performance, the pressure in the secondary circuit should not drop below 20 bar.

General

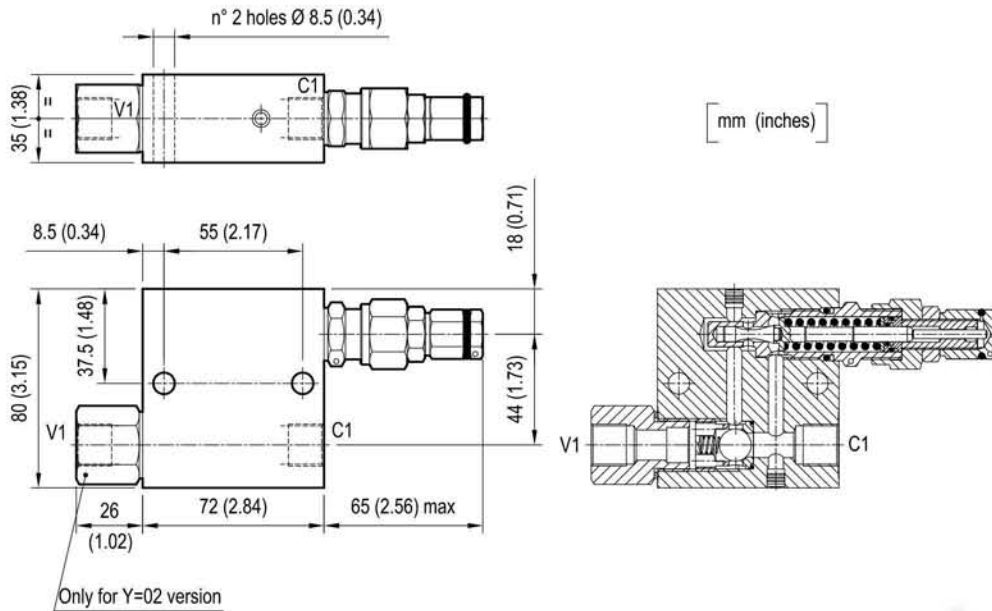
Manifold material	Aluminium	
Note: aluminium bodies are often strong enough for operating pressures exceeding 210 bar (3000 psi), depending from the fatigue life expected in the specific application. If in doubt, consult our Service Network.		
Weight	kg (lbs)	0.81 (1.79)
Fluid temperature range	°C (°F)	between -30 (-22) and +100 (212)
Other technical data	see data sheet RE 18350-50	

Performance



Note: for applications outside these parameters, please consult us.

Dimensions



Ordering code

05.21.11 X Y Z

Sequence,
direct acting poppet type,
compensated

Adjustments

= 03 Leakproof inner hex. socket screw



Port sizes	V1	C1
= 02	G 3/8	G 3/8
= 03	G 1/2	G 1/2

SPRINGS

	Adj. pressure range bar (psi)	Pres. increase bar/turn (psi/turn)	Std. setting Q=5 (l/min.) bar (psi)
= 05	5-50 (75-725)	11 (160)	50 (725)
= 10	30-100 (435-1450)	23 (334)	100 (1450)
= 20	50-210 (725-3000)	47 (682)	200 (2900)
= 35	100-350 (1450-5000)	82 (1189)	350 (5000)

Type	Material number
05211103020500B	R930001429
05211103021000B	R930001430
05211103022000B	R930001431
05211103023500B	R930001432
05211103030500B	R930001433
05211103031000B	R930001434
05211103032000B	R930001435
05211103033500B	R930001437

Type	Material number