

Part number:

**HYDROMA**

HYDRAULICKÉ SYSTÉMY

**HIDROMA  
SISTEMS**

UKŁADY HYDRAULICZNE

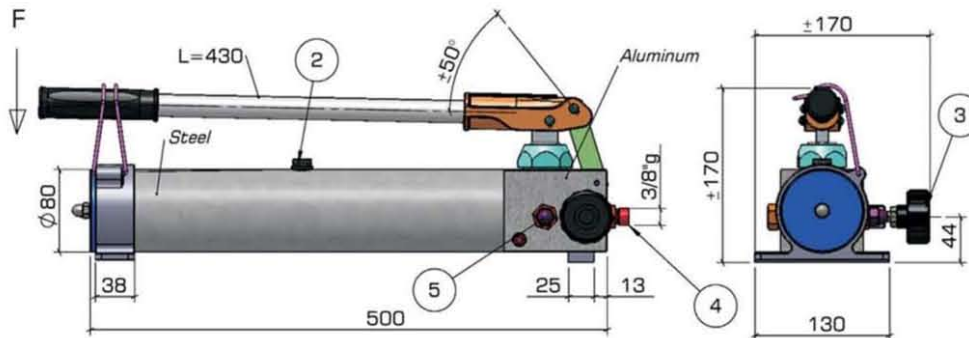
**HYDROMA**

ГИДРАВЛИЧЕСКИЕ СИСТЕМЫ

Hydraulic Hand Pumps - Foot Pedal Pumps  
Air-Hydraulic Pumps - Accessories

**Hydraulic Hand Pump Type GL 2P-Q**

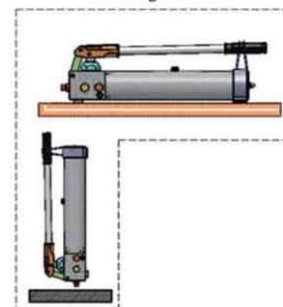
Two speed single acting function pump for single acting cylinder



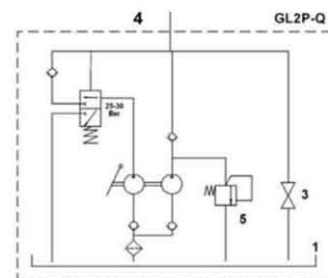
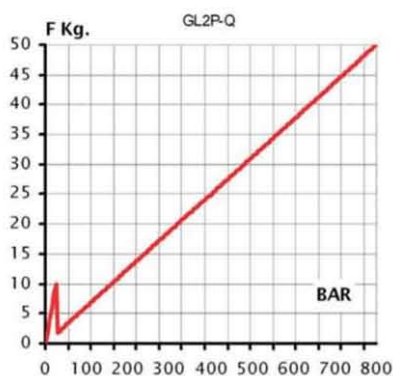
- Weight ~Kg. 8  
1 Tank L. 1,8  
2 Filler Plug  
3 Release Handknob  
4 Pressure Port 1  
5 Relief Valve Setting



Mounting Position:



TYPE	DELIVERY cc	PRESSURE Bar
GL 2P-Q 1°Speed	17	25
GL 2P-Q 2°Speed	2.5	700



The GL 2P-Q, is particularly suitable for applications with need of 2 piston speeds for pumping. The first speed, gives fast cylinder advancement while with the second speed, the cylinder advancement is very slow but with extremely high pressure however small pumping force. The switch-over from the first to second speed is automatic. This pump is further equipped with special poppet style valves, made in special treated and hardened steel, wich exclude any drain. Pressure up to 700 bar.

*Dimensions and characteristics not binding. Modifications reserved without prior notice.*