

Part number:

HYDROMA

HYDRAULICKÉ SYSTÉMY

**HIDROMA
SYSTEMS**

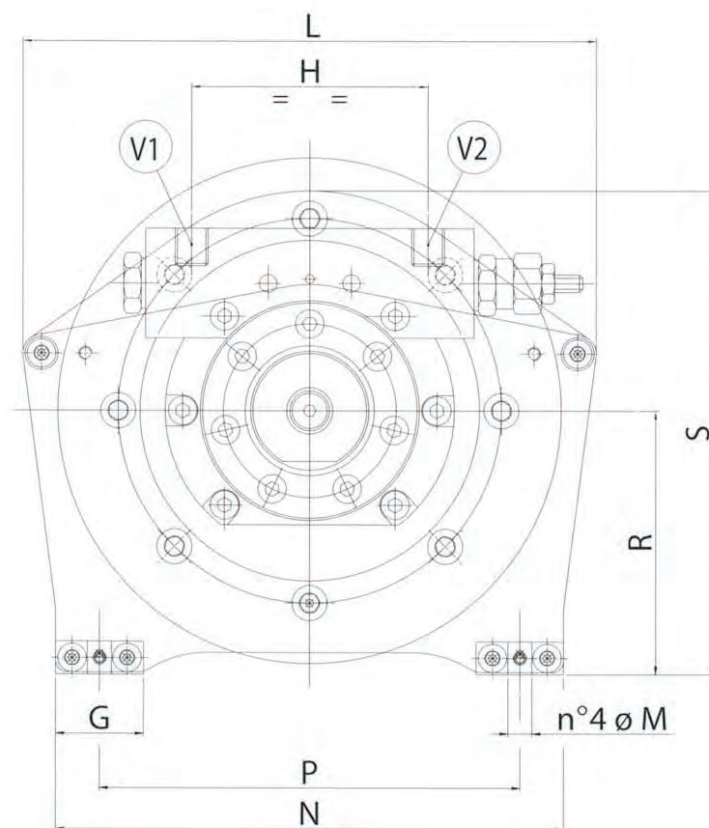
UKŁADY HYDRAULICZNE

HYDROMA

ГИДРАВЛИЧЕСКИЕ СИСТЕМЫ

BWM SERIES

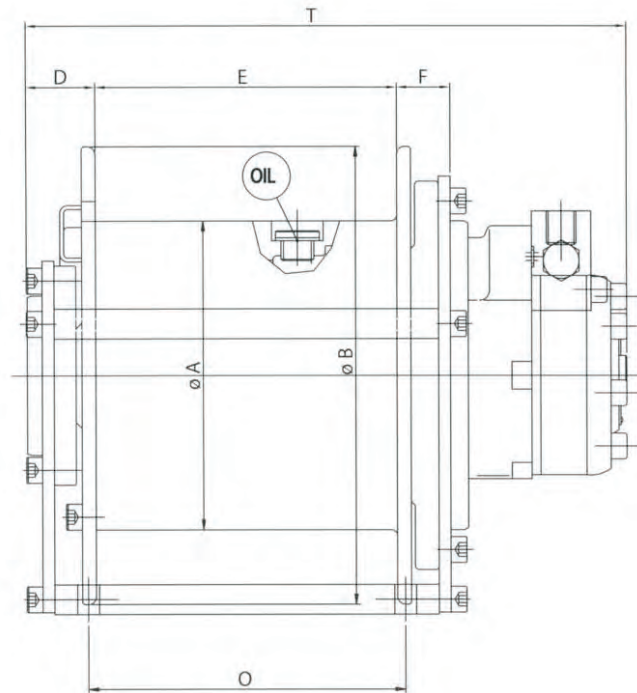
Hydraulic lifting winch



dimensions in mm

model	A	B	D	E	F	G	H
BWM 005	155	230	35	152	27	40	108
BWM 008	155	230	35	152	27	40	108
BWM 010	155	230	35	152	27	40	108
BWM 012	155	230	35	152	27	40	108
BWM 018	178	260	38	170	35	50	108

BWM SERIES




L	M	N	O	P	R	S	T	V1/V2	DR	OIL
262	11	232	160	192	120	220	293	3/8 GAS	-	3/8 GAS
262	11	232	160	192	120	220	295	3/8 GAS	-	3/8 GAS
262	11	232	160	192	120	220	298	3/8 GAS	-	3/8 GAS
262	11	232	160	192	120	220	303	3/8 GAS	-	3/8 GAS
300	13	285	170	236	135	250	350	3/8 GAS	-	3/8 GAS

BWM SERIES



product range

			BWM 005	BWM 008	BWM 010	BWM 012	BWM 018
	Maximum pull on 1st layer	daN	500	800	1100	1300	1500
	Maximum pull on 4th layer	daN	435	670	920	1100	1250
	Maximum lifting speed on 1st layer	m/min	35	21	17	14	19
	Maximum lifting speed on 4th layer	m/min	40	25	20,3	16,7	23
	Rope diameter (1)	mm	6	8	8	8	10
	Rope capacity on 4th layer	m	39,5	30,2	30,2	30,2	32
	Gearing – down ratio		5	5	5	5	5,14
	Motor displacement	cm ³ /rev	50	80	100	130	160
	Lifting pressure	bar	120	120	135	120	175
	Starting lifting pressure (2)	bar	155	155	170	155	140
	Maximum pump delivery	l/min	18	18	18	18	30
	Oil quantity	l	0,3	0,3	0,3	0,3	0,5
	Weight	kg	40	40,3	40,8	41,2	55