

Part number:

**HYDROMA**

HYDRAULICKÉ SYSTÉMY

**HIDROMA  
SYSTEMS**

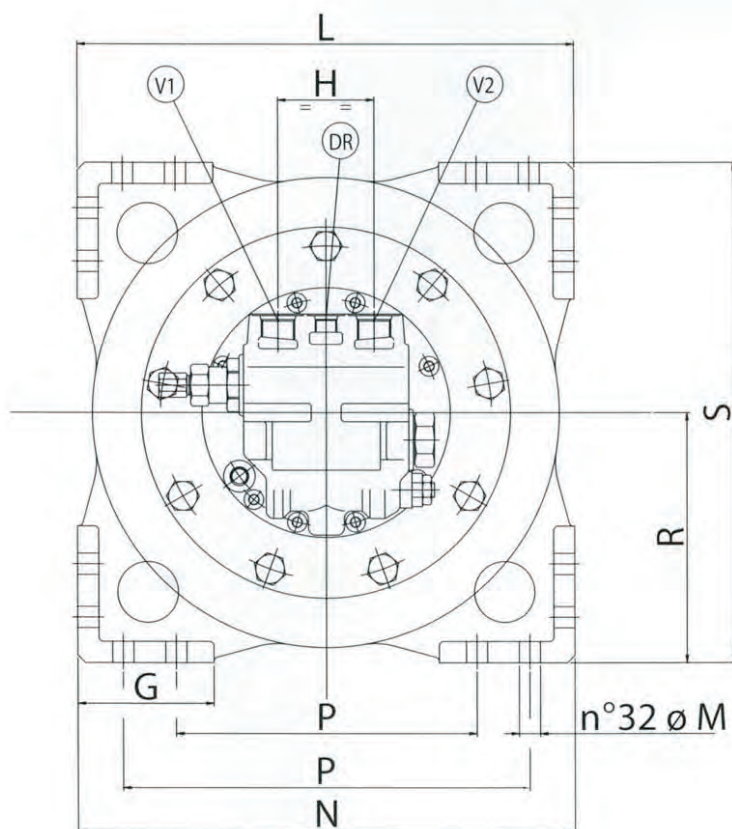
UKŁADY HYDRAULICZNE

**HYDROMA**

ГИДРАВЛИЧЕСКИЕ СИСТЕМЫ

# BW SERIES

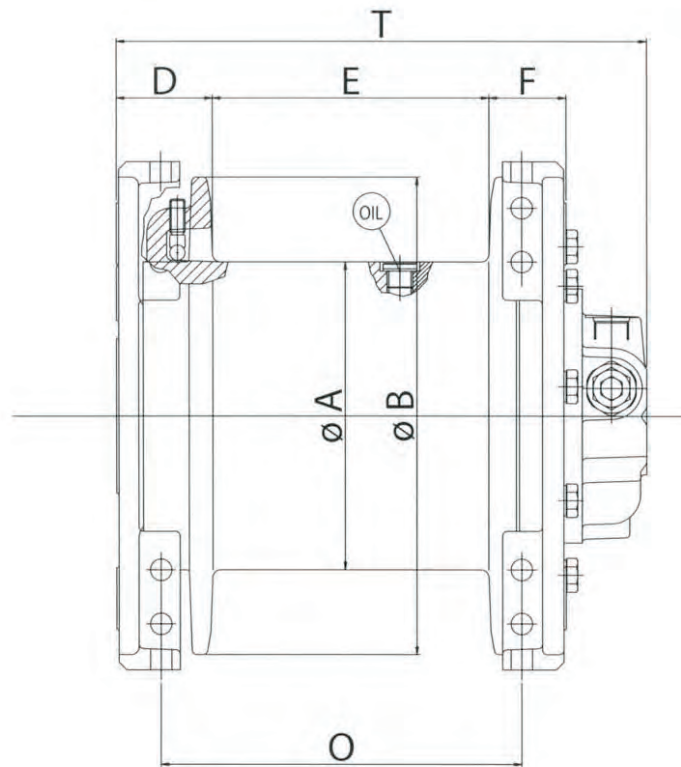
## Hydraulic lifting winch



dimensions in mm

model	A	B	D	E	F	G	H
BW 850	175	260	58,5	170	48	80	55
BW 900	175	260	58,5	170	48	80	55
BW 900 L	176	266	45,5	350	45,5	80	55
BW 1350	200	310	63	180	50,5	90	64
BW 1500	200	310	63	180	50,5	90	64
BW 1500 L	216	326	45	332	45	90	64
BW 1950 LT	250	380	69,5	232	64	100	64
BW 1950 VL	250	380	69,5	232	64	100	64
BW 2250	282	430	75,5	250	70,5	110	74
BWC 3000	282	430	75,5	250	70,5	110	74

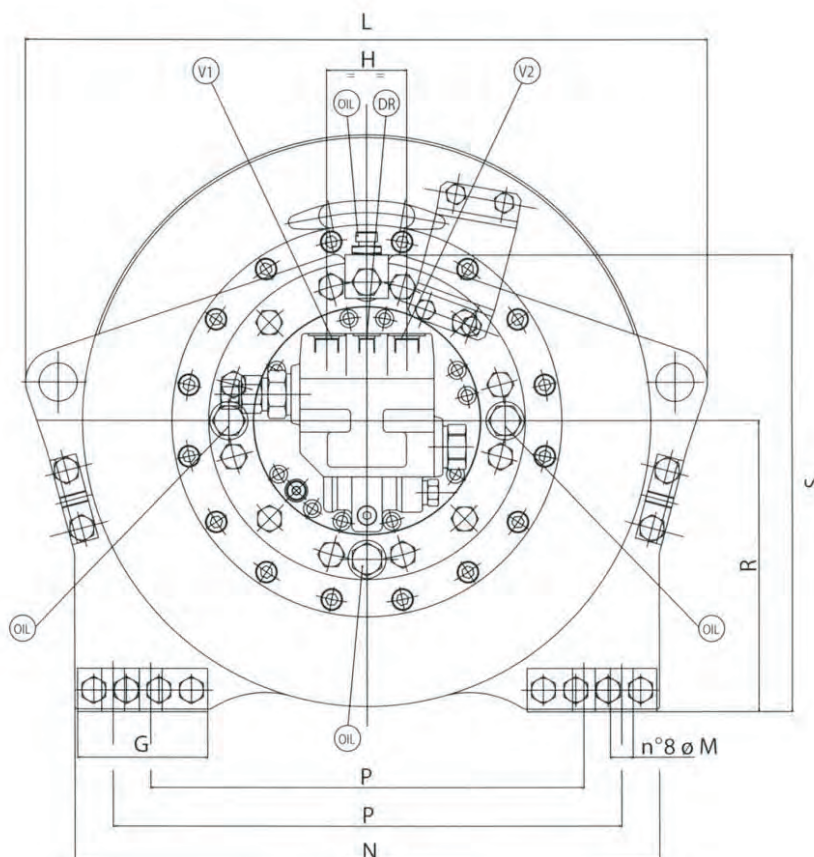
# BW SERIES



L	M	N	O	P	R	S	T	V1/V2	DR	OIL
280	12	280	220,5	160/225	140	280	329	3/4-16 UNF	1/2-20 UNF	3/8 GAS
280	12	280	220,5	160/225	140	280	329	3/4-16 UNF	1/2-20 UNF	3/8 GAS
280	12	280	388	160/225	140	280	479,5	3/4-16 UNF	1/2-20 UNF	3/8 GAS
330	14	330	235,5	200/270	165	330	346	7/8-14 UNF	9/16-18 UNF	3/8 GAS
330	14	330	235,5	200/270	165	330	346	7/8-14 UNF	9/16-18 UNF	3/8 GAS
330	14	330	364	200/270	165	330	474,5	7/8-14 UNF	9/16-18 UNF	3/8 GAS
400	16	400	296,5	255/335	200	400	417,5	7/8-14 UNF	9/16-18 UNF	1/2 GAS
400	16	400	296,5	255/335	200	400	417,5	7/8-14 UNF	9/16-18 UNF	1/2 GAS
450	18	450	319	285/375	225	450	464	7/8-14 UNF	3/4-16 UNF	1/2 GAS
450	18	450	319	285/375	225	450	464	7/8-14 UNF	3/4-16 UNF	1/2 GAS

# BW SERIES

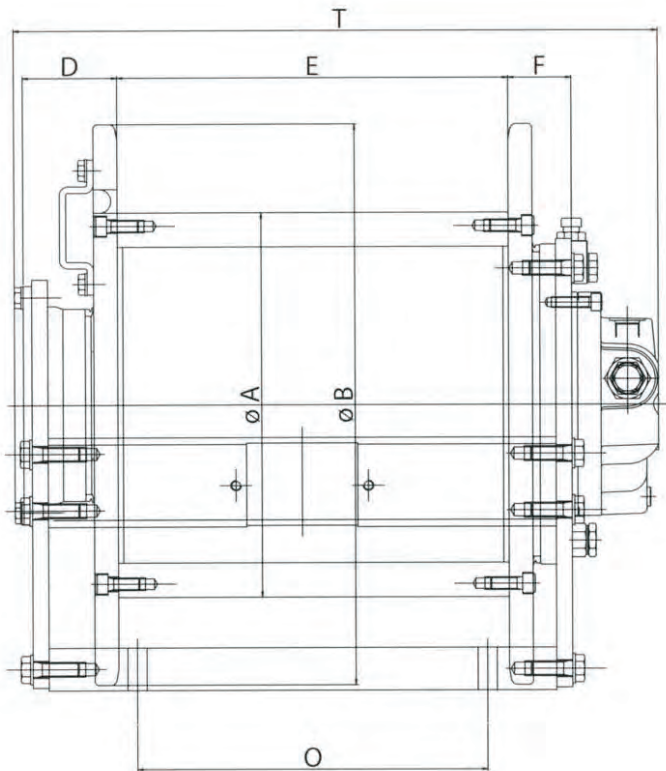
## Hydraulic lifting winch
















dimensions in mm

model	A	B	D	E	F	G	H
<b>BW 3500</b>	360	525	89	368	59,5	120	74
<b>BW 4100</b>	360	525	89	368	59,5	120	74
<b>BW 5200</b>	360	525	89	368	59,5	120	74
<b>BW 5200 L</b>	360	525	89	612	59,5	120	74

# BW SERIES



L	M	N	O	P	R	S	T	V1/V2	DR	OIL
630	21	540	330	400/470	267,5	420	606,4	7/8-14 UNF	3/4-16 UNF	1/2 GAS
630	21	540	330	400/470	267,5	420	606,4	7/8-14 UNF	3/4-16 UNF	1/2 GAS
630	21	540	330	400/470	267,5	420	606,4	7/8-14 UNF	3/4-16 UNF	1/2 GAS
630	21	540	330	400/470	267,5	420	850,4	7/8-14 UNF	3/4-16 UNF	1/2 GAS

			<b>BW 850</b>	<b>BW 900</b>	<b>BW 900L</b>	<b>BW 1350</b>
	Maximum pull on 1st layer	daN	1250	1350	1350	2000
	Maximum pull on 4th layer	daN	945	1020	1020	1500
	Maximum lifting speed on 1st layer	m/min	45	40	40	40
	Maximum lifting speed on 4th layer	m/min	60	53	53	53,5
	Rope diameter (1)	mm	10	10	10	12
	Rope capacity on 4th layer	m	43	43	91	43,2
	Gearing – down ratio		32,5	32,5	32,5	31,2
	Motor displacement	cm <sup>3</sup> /rev	18	18	18	32
	Lifting pressure	bar	150	160	160	160
	Starting lifting pressure (2)	bar	190	200	200	200
	Maximum pump delivery	l/min	48	42	42	65
	Oil quantity	l	0,5	0,5	0,5	0,85
	Weight	kg	54,5	54,5	65	85

<b>BW 1500</b>	<b>BW 1500L</b>	<b>BW 1950LT</b>	<b>BW 1950VL</b>	<b>BW 2250</b>	<b>BWC 3000</b>	<b>BW 3500</b>	<b>BW 4100</b>	<b>BW 5200</b>	<b>BW 5200L</b>
2300	2300	3100	3100	3400	4000	4800	6100	7500	7500
1715	1750	2350	2350	2600	3060	3730	4635	5700	5700
35	35	37	48	35	25	50	40	30	30
47	46	48,8	63,3	45,5	32,5	62,8	51,4	39,5	39,5
12	12	14	14	15	15	16	18	20	20
43,2	87,2	59	59	66,5	66,5	115	104	94,5	161
31,2	31,2	49,5	38,2	38,2	38,2	49,8	48	56,8	56,8
32	32	32	32	64	64	64	64	64	64
180	195	190	248	155	180	210	280	290	290
230	240	240	315	195	225	265	350	365	365
55	51	75	75	100	70	150	115	96	96
0,85	0,85	1,25	1,25	2	2	3,5	3,5	3,5	3,5
85	120	145	145	205	205	400	410	420	470