

Part number:

HYDROMA

HYDRAULICKÉ SYSTÉMY

**HIDROMA
SYSTEMS**

UKŁADY HYDRAULICZNE

HYDROMA

ГИДРАВЛИЧЕСКИЕ СИСТЕМЫ

*Hydraulic gear pumps and motors
two pieces cast iron housing*

KAPPA**KAPPA 30 GENERAL DATA MOTORS****KM 30**

Pump type	Displacement	Max. pressure			Max. speed	Min. speed
		p ₁	p ₂	p ₃		
	in ³ /rev (cm ³ /rev)	psi (bar)			min ⁻¹	
KM 30-27	1.63 (26,7)	4060 (280)	4350 (300)	4495 (310)	3000	350
KM 30-34	2.11 (34,56)	3770 (260)	4060 (280)	4350 (300)	3000	350
KM 30-38	2.40 (39,27)	3770 (260)	4060 (280)	4350 (300)	3000	350
KM 30-43	2.68 (43,98)	3625 (250)	3915 (270)	4205 (290)	3000	350
KM 30-51	3.16 (51,83)	3335 (230)	3625 (250)	3915 (270)	2500	350
KM 30-56	3.45 (56,54)	3118 (215)	3408 (235)	3698 (255)	2500	350
KM 30-61	3.74 (61,26)	2900 (200)	3190 (220)	3480 (240)	2500	350
KM 30-73	4.50 (73,82)	2610 (180)	2900 (200)	3190 (220)	2500	350

p₁= Max. continuous pressurep₂= Max. intermittent pressurep₃= Max. peak pressure

The values in the table refer to unidirectional motors.

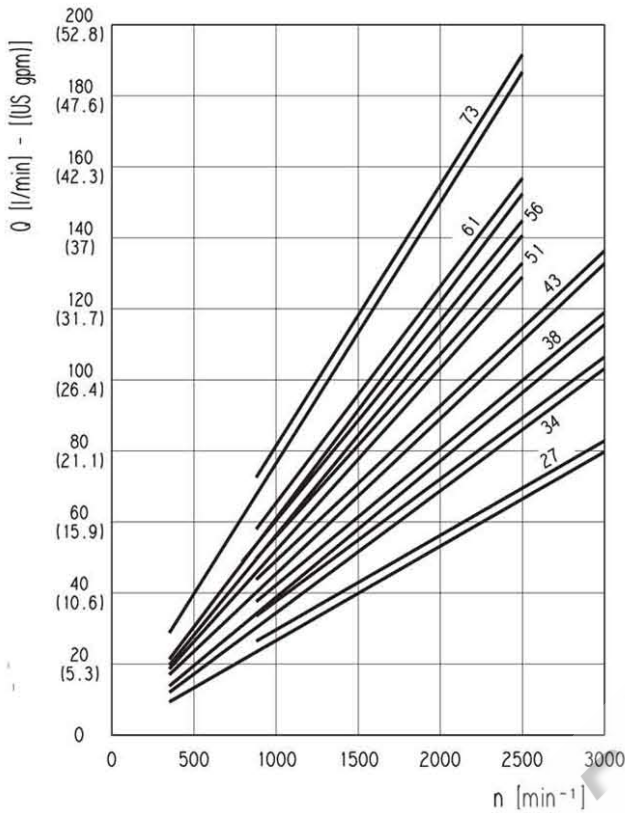
Reversible motors max pressures are 15% lower than those shown in table.

For different working conditions please consult our sales department.

KAPPA 30 GEAR MOTORS PERFORMANCE CURVES

K M 30

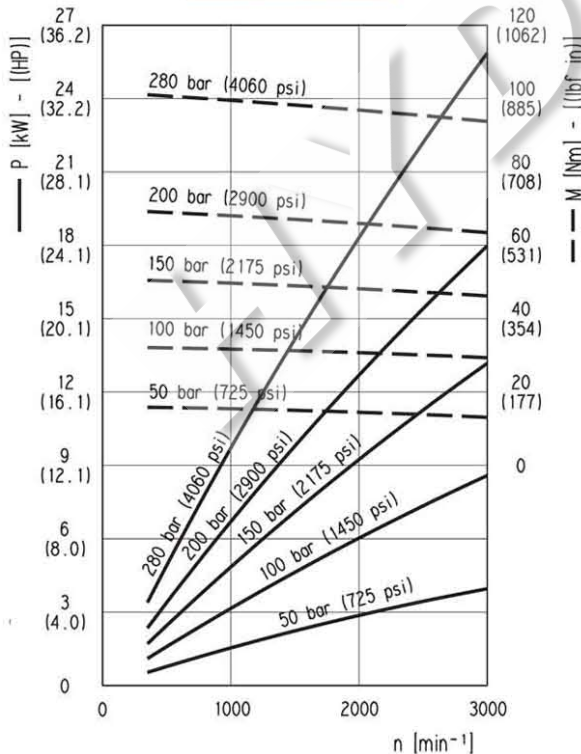
K M 30



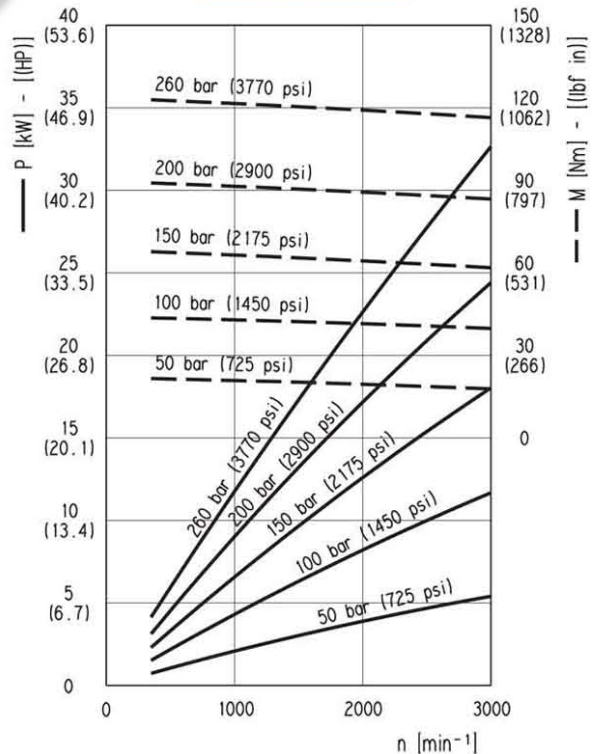
Each curve has been obtained at 122 °F (50 °C), using oil with viscosity 168 SSU (36 cSt) at 104 °F (40 °C) and at these pressures.

- KM 30•27 290-4060 psi (20-280 bar)
- KM 30•34 290-3770 psi (20-260 bar)
- KM 30•38 290-3770 psi (20-260 bar)
- KM 30•43 290-3625 psi (20-250 bar)
- KM 30•51 290-3335 psi (20-230 bar)
- KM 30•56 290-3118 psi (20-215 bar)
- KM 30•61 290-2900 psi (20-200 bar)
- KM 30•73 290-2610 psi (20-180 bar)

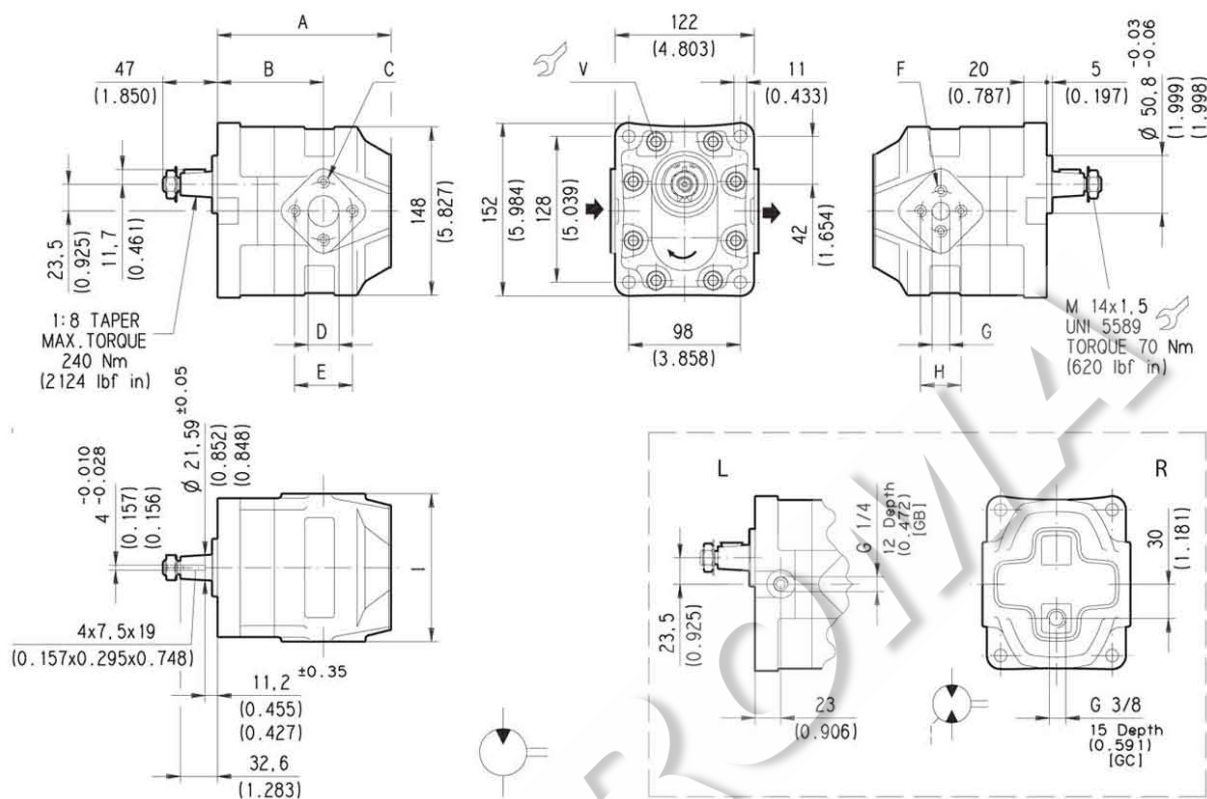
K M 30•27



K M 30•34



EUROPEAN FLANGED PORTS - 4 Bolts
Metric thread ISO 60° conforms to ISO/R 262



V Screws tightening torque Nm (lbf in)

70 ±7 (558 - 682)

The following versions are also available:

KM 30•22 L0-83 E3-Z EV/EZ-N KM 30•22 B0-83 E3-Z EV/EZ-N

(For more information please consult our technical sales department).

Motor type		A	B	C	D	E	F	G	H	I	
		mm (in)	mm (in)	mm (in)	mm (in)	mm (in)	mm (in)	mm (in)	mm (in)	mm (in)	
S D L R B	0-83 E3-L EB/ED-N	KM 30•27	133 (5.236)	85 (3.346)	M 10 Depth 17 (0.669)	27 (1.063)	51 (2.008)	M 8 Depth 17 (0.669)	19 (0.748)	40 (1.575)	130 (5.118)
		KM 30•34	138 (5.433)	90 (3.543)							
		KM 30•38	141 (5.551)	93 (3.661)							
		KM 30•43	144 (5.669)	96 (3.780)							
		KM 30•51	149 (5.866)	93 (3.661)							
		KM 30•56	152 (5.984)	97 (3.819)							
KM 30•61	155 (6.102)	100 (3.937)	M 12 Depth 17 (0.669)	33 (1.299)	62 (2.441)	M 10 Depth 17 (0.669)	27 (1.063)	51 (2.008)	135 (5.315)		
KM 30•73	163 (6.417)	108 (4.252)									

Rotation: S=left-D=right-L=reversible side drain-R=reversible rear drain-B=reversible internal drain

How to order:

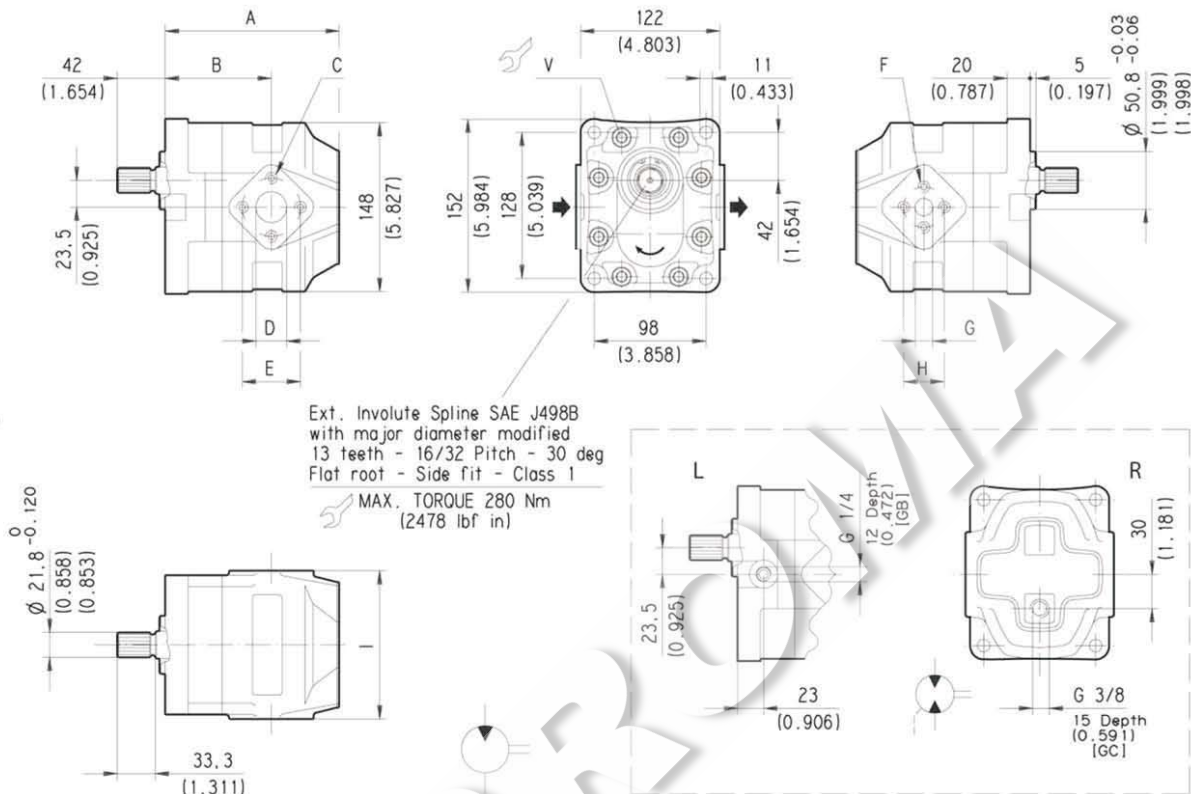
KM 30•27 S0-83 E3-L EB/ED-N

KAPPA 30

HYDRAULIC GEAR MOTORS EUROPEAN STANDARD

A8 E3

EUROPEAN FLANGED PORTS - 4 Bolts
Metric thread ISO 60° conforms to ISO/R 262



V Screws tightening torque Nm (lbf in)

70 ±7 (558 - 682)

Pump type	A	B	C	D	E	F	G	H	I
	mm (in)	mm (in)	mm (in)	mm (in)	mm (in)	mm (in)	mm (in)	mm (in)	mm (in)
KM 30•27	133 (5.236)	85 (3.346)	M 10 Depth 17 (0.669)	27 (1.063)	51 (2.008)	M 8 Depth 17 (0.669)	19 (0.748)	40 (1.575)	130 (5.118)
KM 30•34	138 (5.433)	90 (3.543)							
KM 30•38	141 (5.551)	93 (3.661)							
KM 30•43	144 (5.669)	96 (3.780)							
KM 30•51	149 (5.866)	93 (3.661)							
KM 30•56	152 (5.984)	97 (3.819)							
KM 30•61	155 (6.102)	100 (3.937)							
KM 30•73	163 (6.417)	108 (4.252)	M 12 Depth 17 (0.669)	33 (1.299)	62 (2.441)	M 10 Depth 17 (0.669)	27 (1.063)	51 (2.008)	135 (5.315)

Rotation: S=left - D=right - L=reversible side drain - R=reversible rear drain - B=reversible internal drain

How to order:

KP 30•27 S0-83 E3-L ED/EB-N