

Part number:

HYDROMA

HYDRAULICKÉ SYSTÉMY

**HIDROMA
SISTEMS**

UKŁADY HYDRAULICZNE

HYDROMA

ГИДРАВЛИЧЕСКИЕ СИСТЕМЫ

Hydraulic accumulator cut-off and protection unit UZAE10

**WK
493 120**

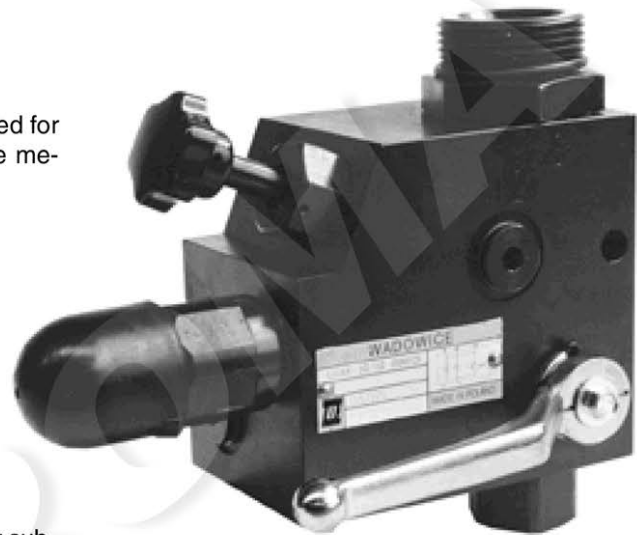
NS10

up to 36 MPa

10.2014

APPLICATION

Hydraulic accumulator protection and cut-off unit is used for connecting hydraulic accumulator to the system while meeting safety requirements.



DESIGN DESCRIPTION

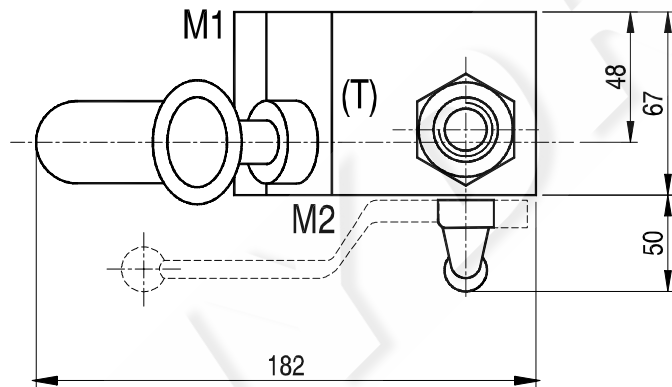
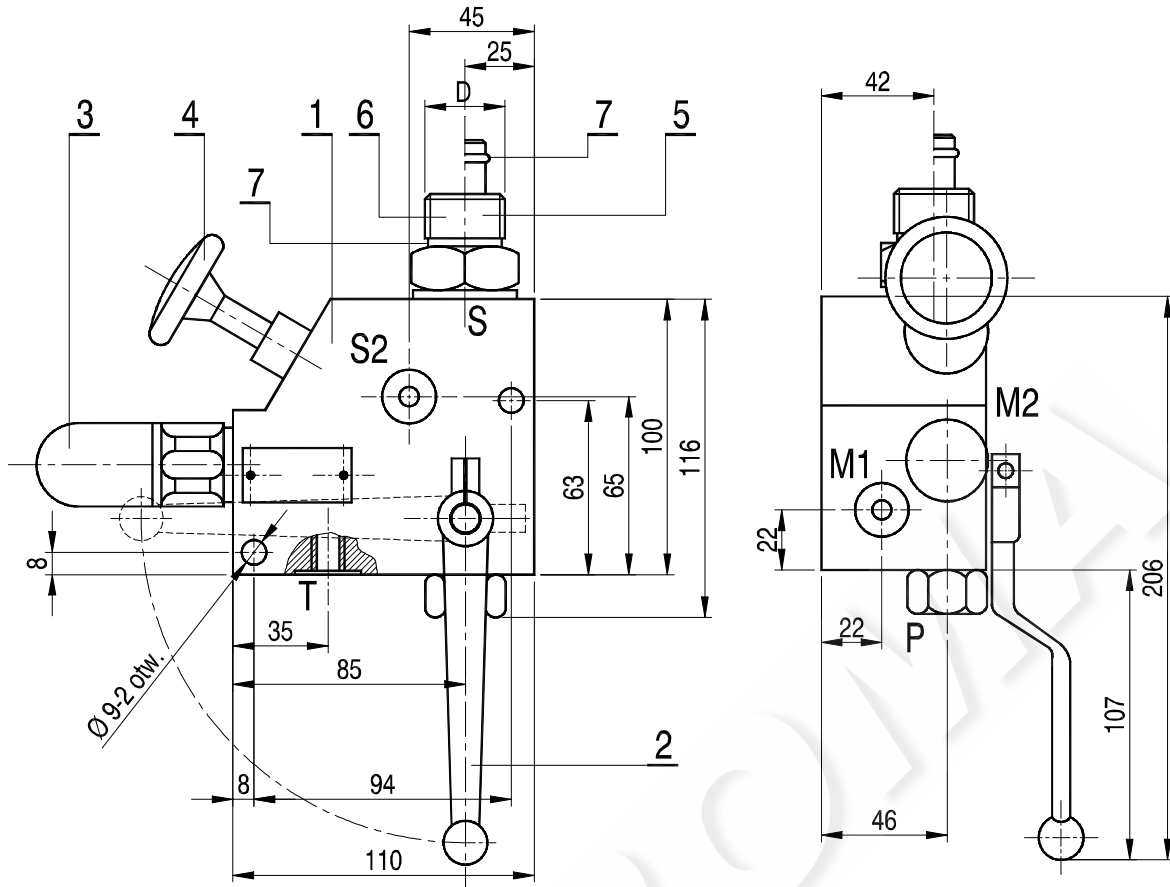
The unit consists of a housing incorporating the following sub-units:

- ball cut-off valve for connecting and disconnecting the accumulator with the hydraulic system
- manual relief valve for safe unloading of accumulator after cut-off
- safety valve for system protection - with **CE** approval; if a unit with **CE** approval valve is ordered, it is set to required pressure and sealed

TECHNICAL DATA

Working fluid	Mineral oil
Optimum working temperature range	258 up to 343 K (-15 up to 70 °C)
Max working pressure	36 MPa
Housing construction material	Steel
Safety valve type	DBDS6K... wg WK 450 610
Required oil filtration	up to 16 μm
Weight	5,2 kg

OVERALL AND MOUNTING DIMENSIONS

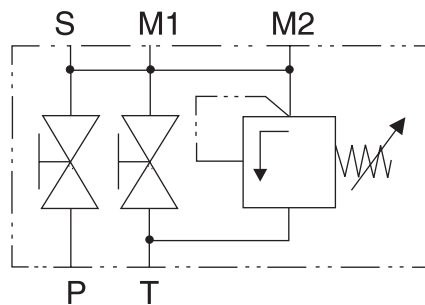


- 1- Unit
- 2- Accumulator cut-off valve
- 3- Safety valve
- 4- Manual relief valve
- 5- Accumulator connection Hydac (H)
- 6- Accumulator connection Eppensteiner (E)
- 7- Sealing ring

Connection dimensions:

- M1; M2** - G1/4 - pressure gauge connections
- P** - G1/2 - pump connection
- T** - G3/8 - tank connection
- S (D)** - accumulator connection
for Eppensteiner accumulators:
G1/2; G3/4; G1 1/4; G2
for Hydac accumulators
G3/4; G1; G1 1/4

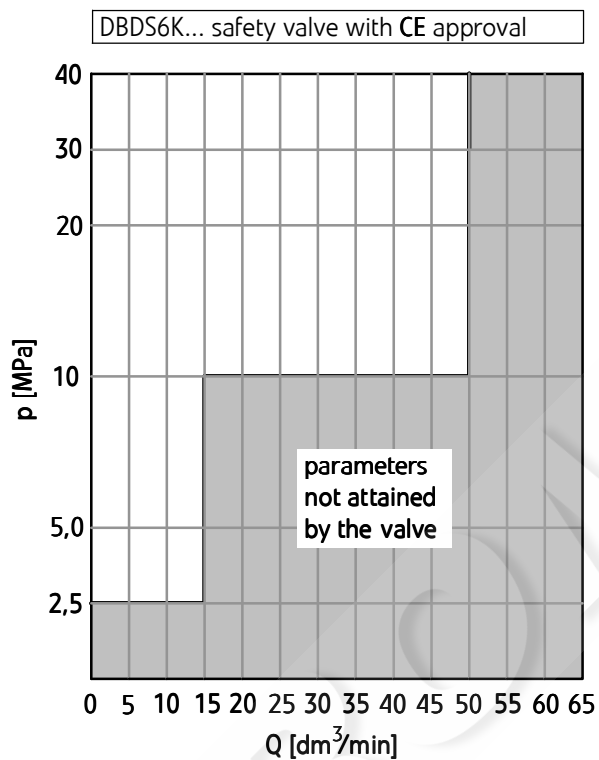
SYMBOL



PERFORMANCE CURVES

measured at viscosity $\nu = 41 \text{ mm}^2/\text{s}$ and temperature $t = 50^\circ\text{C}$

DBDS6K... safety valve flow lines



HOW TO ORDER

UZAE10 /					★
-----------------	--	--	--	--	----------

Series number

(10-19) - installation and connection dimensions
 unchanged = 1X
series 13 = **13**

Safety valve approval

no approval = no designation
 with CE approval = C

Safety valve setting

up to 2,5 MPa = 25
 up to 5 MPa = 50
 up to 10 MPa = 100
 up to 20 MPa = 200
 up to 31,5 MPa = 315
 up to 33 MPa = 330
 up to 36 MPa = 360
 for valves with CE approval specify pressure setting
 (factory setting and sealing)

Accumulator connections

for Eppensteiner accumulators
 G1/2 thread = E1
G3/4 thread = **E2**
 G1 1/4 thread = E3
 G2 thread = E4
 for Hydac accumulators
 G3/4 thread = H1
 G1 thread = H2
 G1 1/4 thread = H3

Further requirements in clear text
 (to be agreed with the manufacturer)

NOTES:

Accumulator protection unit should be ordered according to the above coding.

The symbols in bold are preferred versions in short delivery time.

Coding example: UZAE10/13 C 275 E2