

Part number:

HYDROMA

HYDRAULICKÉ SYSTÉMY

**HIDROMA
SYSTEMS**

UKŁADY HYDRAULICZNE

HYDROMA

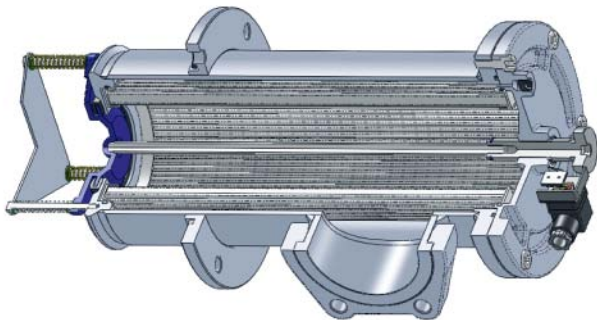
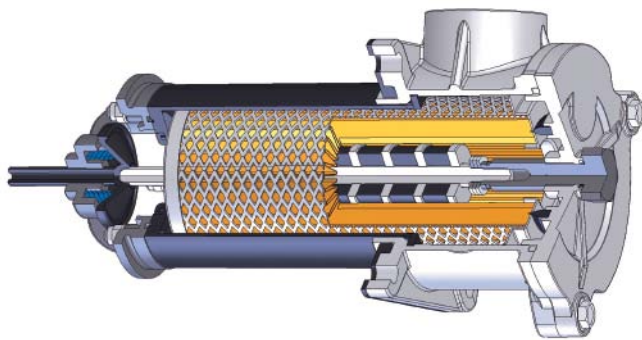
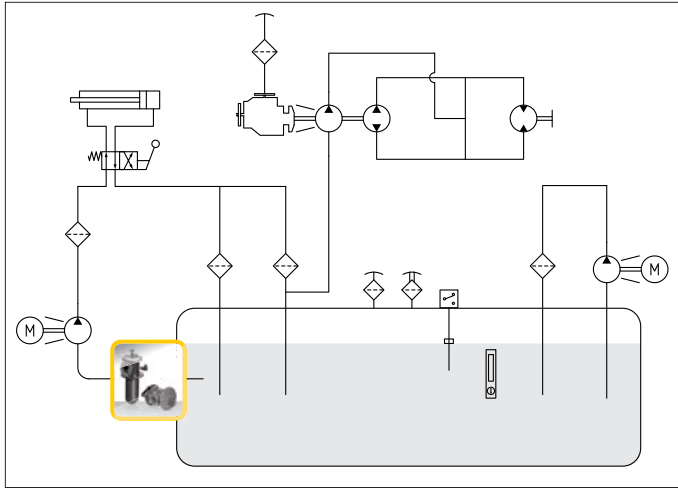
ГИДРАВЛИЧЕСКИЕ СИСТЕМЫ

FSB



Suction Filters

SUCTION FILTER



FSB

Port sizes: 1" 1/4 ÷ 4"

Flow rates: 10 ÷ 600 l/min

TECHNICAL DATA

Filter element collapse pressure:
standard: Δp 100 kPa (1 bar)

Working temperature: $-25 \div +110^{\circ}\text{C}$

MATERIALS

Cover:
aluminium

Housing:

FSB 110 and FSB 501 aluminium and polyamide

FSB 550 and FSB 560 aluminium

FSB 535 and FSB 540 steel

Seals: standard NBR
on request FKM

COMPATIBILITY (ISO 2943:1999)

Full with fluids: HH-HL-HM-HV-HTG

(according to ISO 6743/4).

For fluids different than the above mentioned, please contact our Sales Department.

All tests performed according to the following standards:

ISO 2941: Element collapse resistance test

ISO 2942: Production integrity test

ISO 2943: Fluids compatibility

ISO 3723: End load test method

ISO 3724: Flow fatigue resistance method

ISO 3968: Pressure drop versus flow rate

ISO 16889: Multipass test.

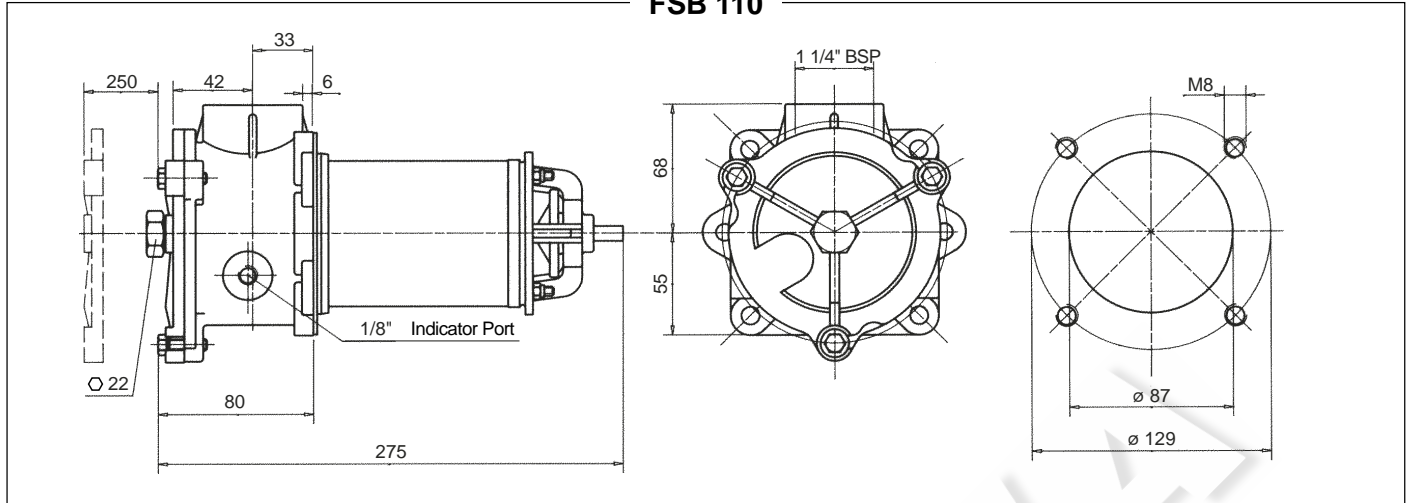
For further information contact our Technical Dept.

FSB	Type	110	501	550	535	560	540	Type	CSF
		110	510	515	535	520	540		
	Filter media							Filter media	
	CD = 10µ Paper	CD	CD	-	CD	-	CD	CD = 10µ Paper	
	CV = 25µ	CV	CV	-	CV	-	CV	CV = 25µ	
	RT = 30µ	RT	RT	-	RT	-	RT	RT = 30µ	
	MS = 60µ Metall wire mesh	MS	MS	MS	MS	MS	MS	MS = 60µ Metall wire mesh	
	MN = 90µ	MN	MN	MN	MN	MN	MN	MN = 90µ	
	DC = 250µ	DC	DC	DC	DC	DC	DC	DC = 250µ	
	Seals							Seals	0
	1 = NBR Nitrile	1	1	1	1	1	1	1 = NBR Nitrile	
	3 = Treatment for water-glycol	3	3	3	3	3	3	3 = Treatment for water-glycol	
0	Bypass type								
	0 = No bypass	0	0	0	0	0	0		
	Ports								
	B = BSP	B	B	-	-	-	-		
	F = SAE flange 3000 psi	-	F	F	F	F	F		
	Port size								
	6 = 1" 1/4	6	-	-	-	-	-		
	7 = 1" 1/2 only B	-	7	-	-	-	-		
	8 = 2" only F	-	8	-	-	-	-		
	9 = 2" 1/2 only F	-	9	-	-	-	-		
	A = 3"	-	-	A	A	-	-		
	C = 4"	-	-	-	-	C	C		
	Indicators								
	01= nr. 1 port 1/8" plugged	-	-	-	-	-	01		
	04= nr. 2 ports 1/8" plugged	04	04	04	04	04	-		
	10= Vacuum gauge	10	10	10	10	10	10		
	91= Vacuum switch	91	91	91	91	91	91		
	Accessories								
	S = Without	S	S	S	S	S	S		
	M = Magnetic core	-	M	M	M	M	M		
	Accessories								
	S = Without	S	S	S	S	S	S		
	E = Safety microswitch	-	E	E	E	E	E		

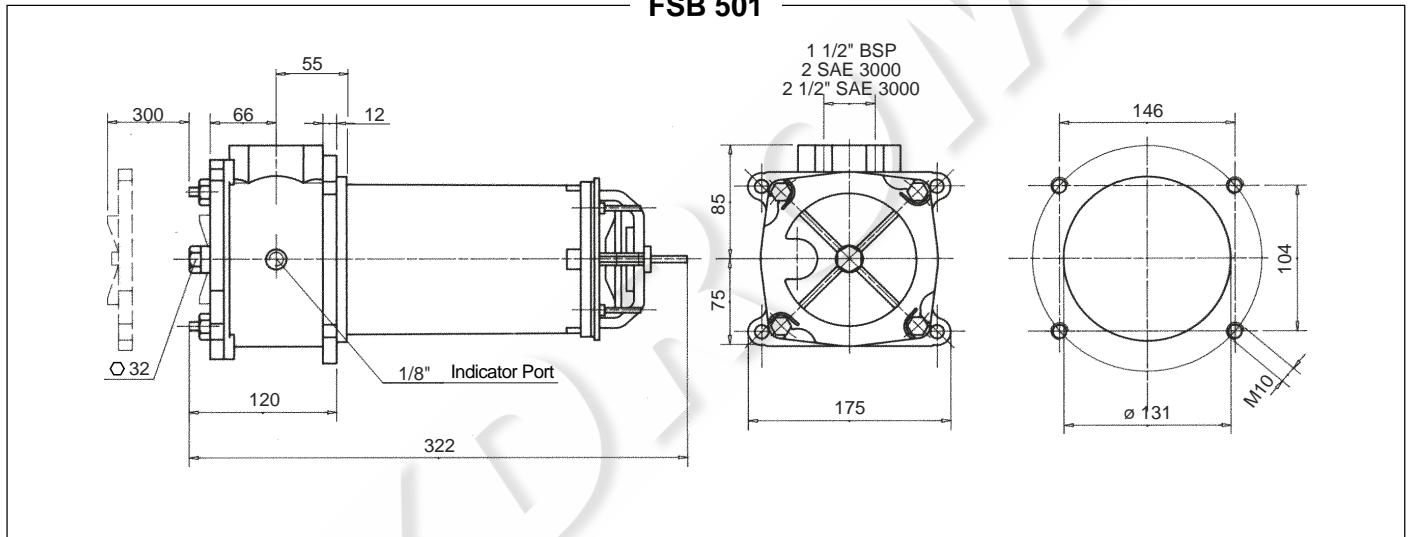
DIMENSIONAL LAYOUT

(mm)

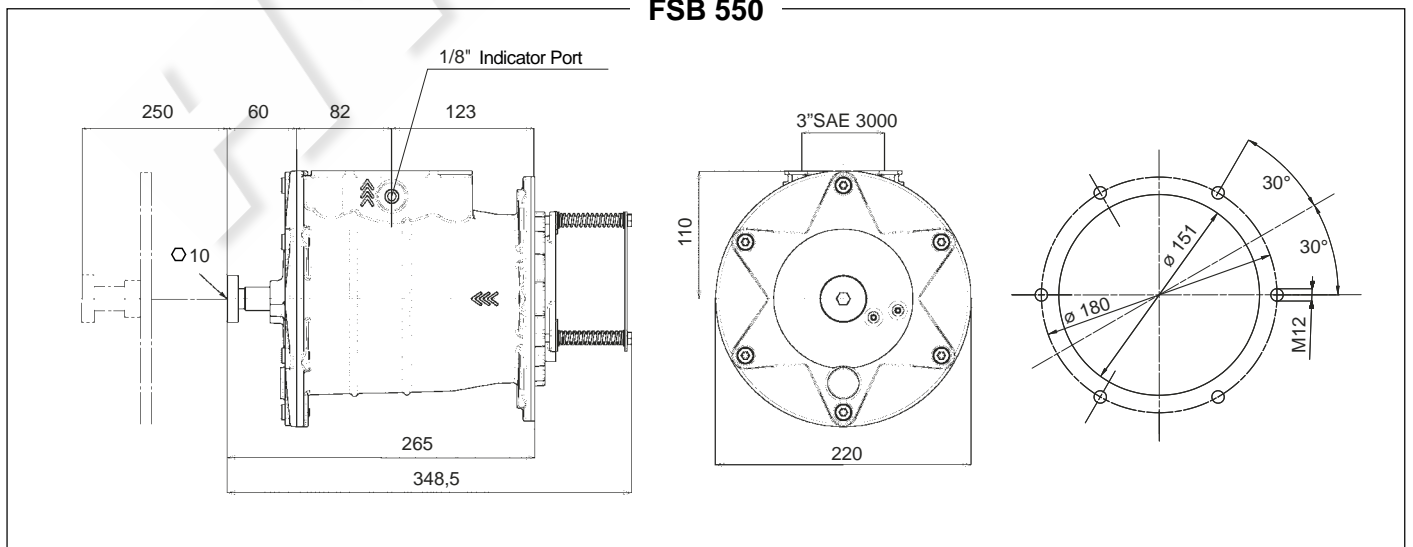
FSB 110



FSB 501



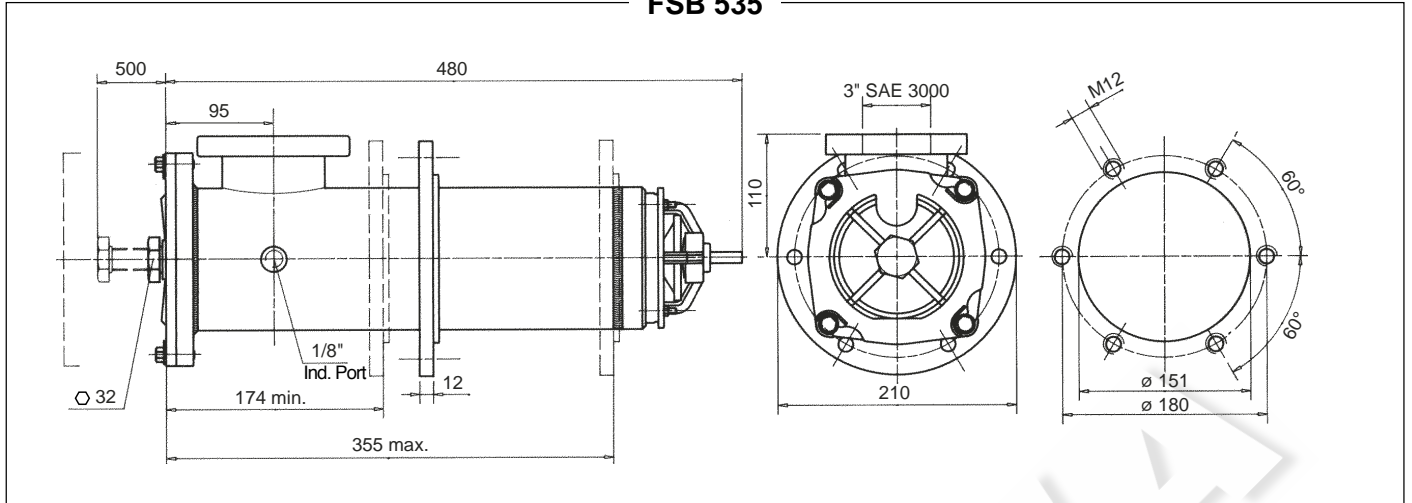
FSB 550



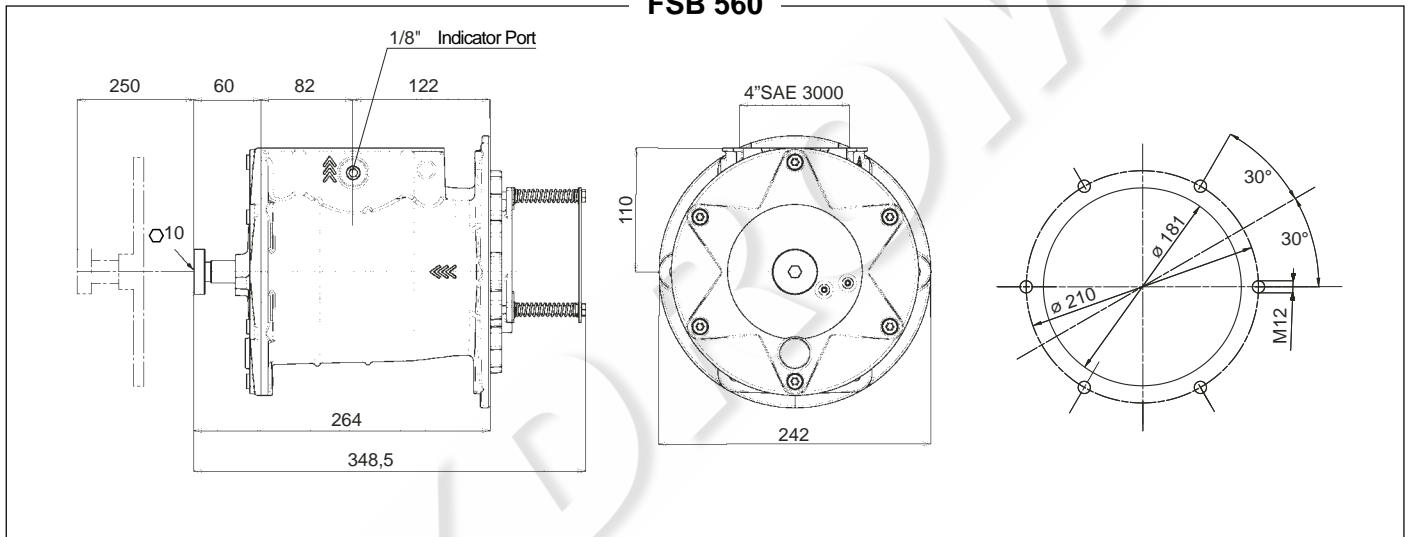
DIMENSIONAL LAYOUT

(mm)

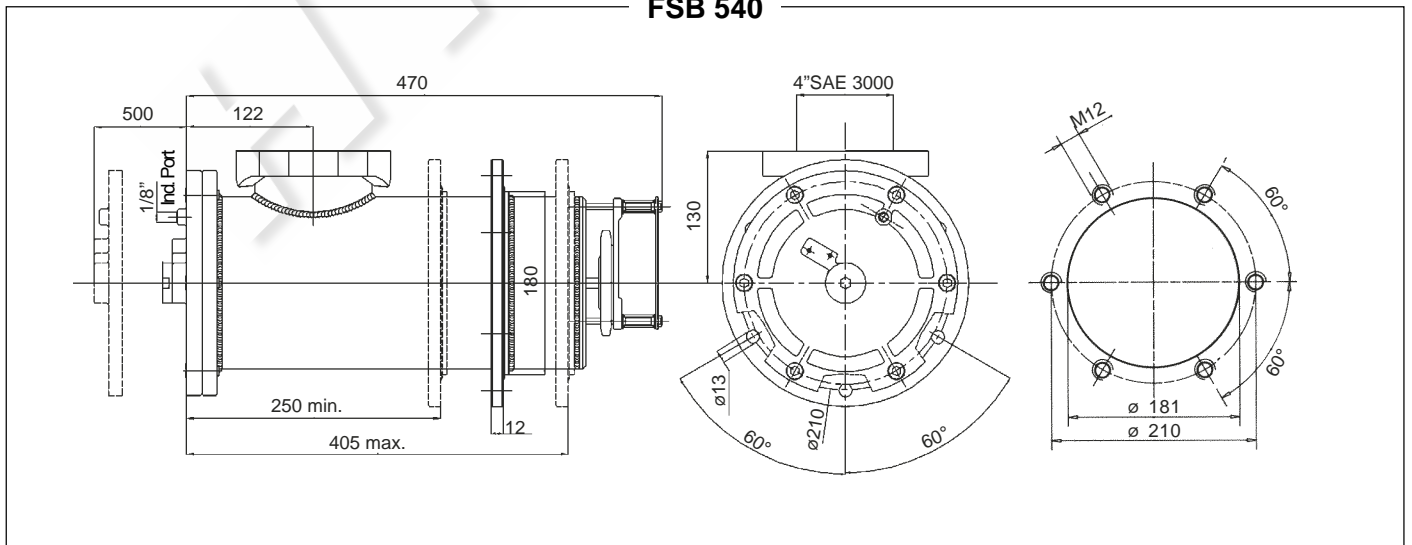
FSB 535



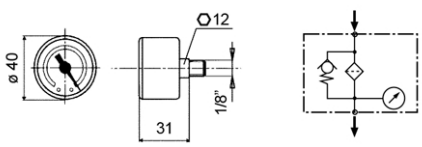
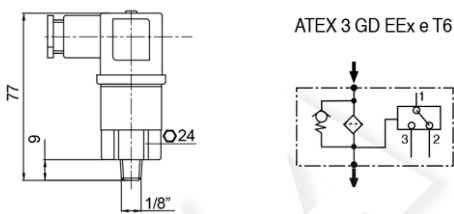
FSB 560



FSB 540



CLOGGING INDICATORS

NBR	FKM	Vacuum gauge	
10	-	Scale 0 ÷ 100 kPa (1 bar)	
NBR	FKM	Pressure switch	
91	-	Setting 20 kPa (0,2 bar)	
<p>SPDT, C.C. 30V: > max resistive or inductive load 3A - 1A respectively C.A. 125 or 250V: > max resistive or inductive load 3A - 0,5A respectively Protection IP65 - Connector DIN 43650</p>			

FLOW RATES

(l/min)

 $\Delta p = 2 \text{ kPa (0,02 bar)}$

Type	Filter Media	$\Delta p 2 \text{ kPa (0,02 bar)}$	$\Delta p 4 \text{ kPa (0,04 bar)}$	$\Delta p 6 \text{ kPa (0,06 bar)}$
FSB 110	CD - CV	46	100	150
	RT	54	120	180
	MS - MN - DC	60	160	240
FSB 501	CD - CV	73	150	190
	RT	77	180	228
	MS - MN - DC	85	240	305
FSB 550	MS - MN - DC	160	260	320
FSB 535	CD - CV	160	200	250
	RT	195	240	300
	MS - MN - DC	210	320	400
FSB 560	MS - MN - DC	220	380	500
FSB 540	CD - CV	210	250	350
	RT	260	300	420
	MS - MN - DC	300	400	600

The reference fluid has a kinematic viscosity of 30 cSt and a density of 0,86 Kg/dm³.
For different oil viscosity please contact our Sales Department for further information.

FILTER AREA(cm²)

Type	Filter Media	
	CD - CV	RT - MS - MN - DC
CSF 110	2560	1600
CSF 510	3070	1845
CSF 515	-	2400
CSF 520	-	2600
CSF 535	5670	3545
CSF 540	8100	5065