

Part number:

**HYDROMA**

HYDRAULICKÉ SYSTÉMY

**HIDROMA  
SYSTEMS**

UKŁADY HYDRAULICZNE

**HYDROMA**

ГИДРАВЛИЧЕСКИЕ СИСТЕМЫ



**ORDER CODE**

	1	2	3	4	5	6	7	8	9	10
<b>M M</b>										

**Pos. 1 - Adjustment Option**

omit - without valve

**P** - Side ports with single crossover relief valve

**D** - Side ports with dual crossover relief valve

**Pos. 2 - Mounting Flange**

omit - Three bolts mount

**F** - Oval mount, two holes

**Pos. 3 - Port type** (not valid for **P** and **D** version)

omit - Rear ports

**S** - Side ports

**Pos. 4 - Displacement code**

**8** - 8,2 [cm<sup>3</sup>/rev]

**12,5** - 12,9 [cm<sup>3</sup>/rev]

**20** - 20,0 [cm<sup>3</sup>/rev]

**32** - 31,8 [cm<sup>3</sup>/rev]

**40** - 40,0 [cm<sup>3</sup>/rev]

**50** - 50,0 [cm<sup>3</sup>/rev]

**Pos. 5 - Shaft Extensions\***

**C** - ø16 straight, Parallel key 5x5x16 DIN 6885

**VC** - ø16 straight, Parallel key 5x5x16 DIN 6885 with corrosion resistant bushing

**CK** - ø14 straight, Parallel key 5x5x16 DIN 6885

**SH** - ø16,5 splined, B17x14 DIN 5482

**Pos. 6 - Ports**

omit - BSPP (ISO 228)

**M** - Metric (ISO 262)

**Pos. 7 - Line to controled\*\*** (see page 4)

**/L** - B→A (left running)

**/R** - A→B (right running)

**Pos. 8 - Valve Rated Pressure\*\*\***

**/50** - Δ p=50 bar

**/100** - Δ p=100 bar

**Pos. 9 - Special Features** (see page 46)

**Pos. 10 - Design Series**

omit - Factory specified

**NOTES:**

\* The permissible output torque for shafts must not be exceeded!

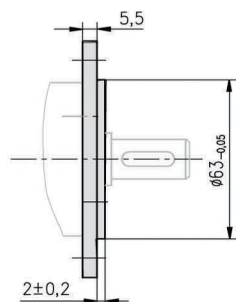
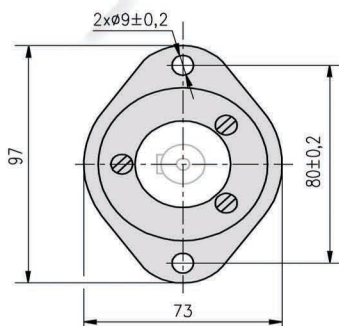
\*\* For "**P**" option useful only.

\*\*\* For "**P**" and "**D**" option useful only.

The hydraulic motors are mangano-phosphatized as standard.

**F - FLANGE KIT (2 Holes)**

Order No:48443 014 00



Flange Kit includes 3 screws - M6x14 for attaching flange to the motor.