

Part number:

**HYDROMA**

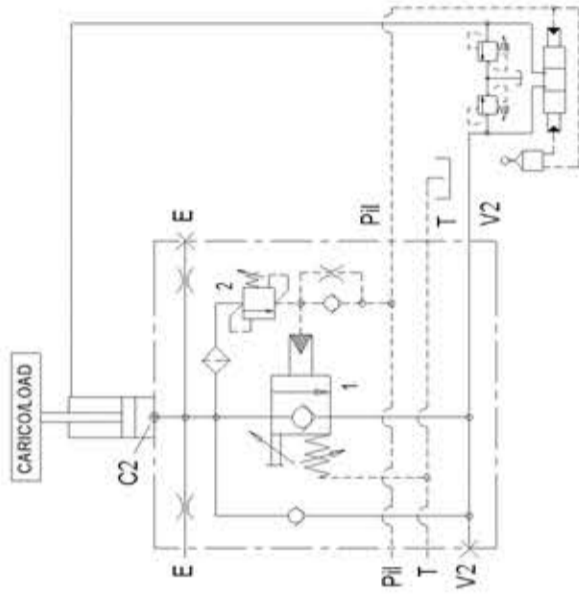
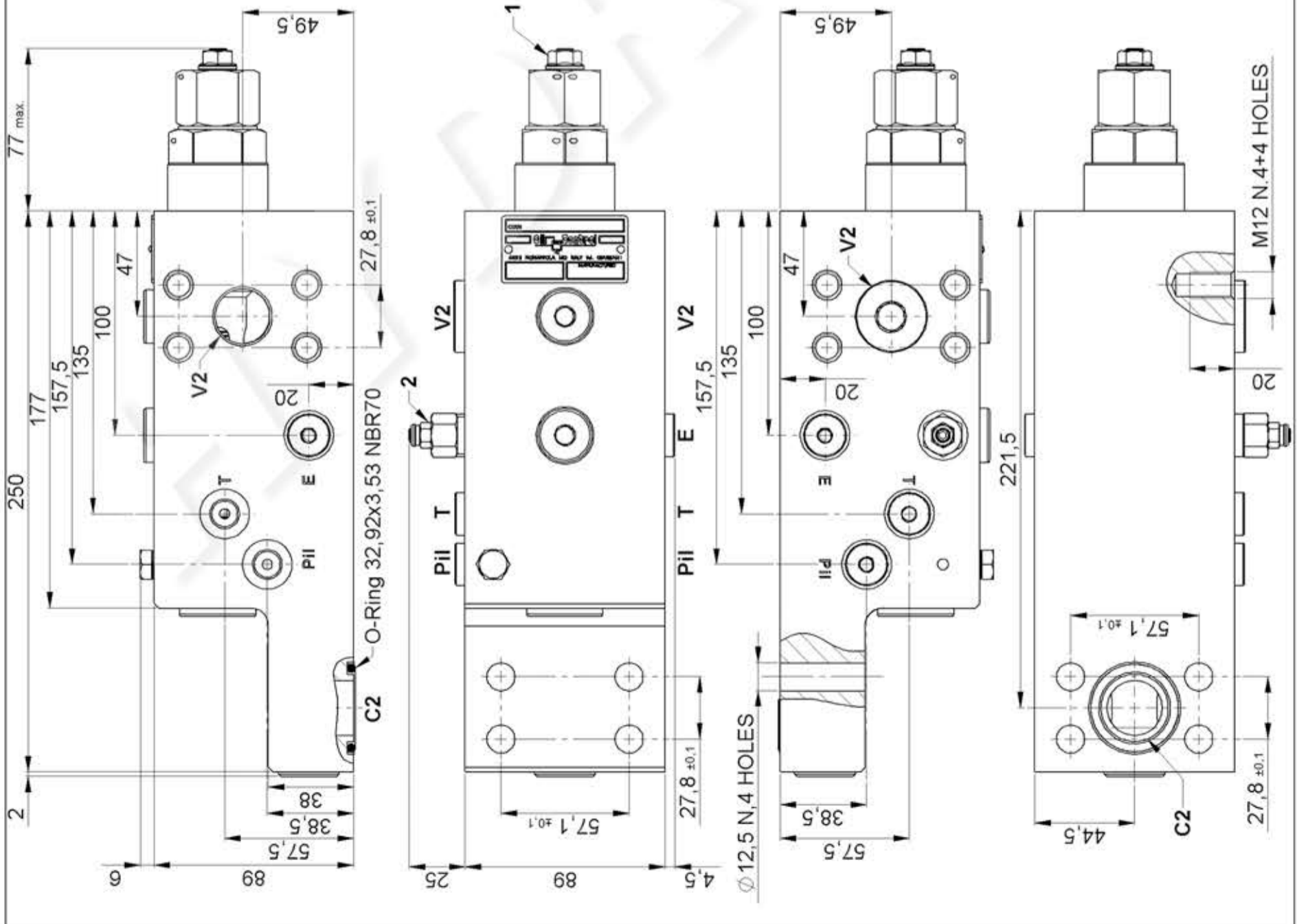
HYDRAULICKÉ SYSTÉMY

**HIDROMA  
SISTEMS**

UKŁADY HYDRAULICZNE

**HYDROMA**

ГИДРАВЛИЧЕСКИЕ СИСТЕМЫ



Max. pressure: 600 bar  
Max. flow: 400 l/min

**PRESSURE SETTINGS**  
Valve 1:  
8 bar cracking pressure  
Adj. pressure range: 3-15 bar  
Pressure increase: 3,4 bar/turn

Valve 2:  
350 bar cracking pressure  
Adj. pressure range: 350-460 bar  
Pressure increase: 228 bar/turn

Port size:  
V2-C2 = 1 SAE 6000  
E-PII-T = G1/4 ISO 1179-1

Manifold: (zinc plated) steel  
Seal: BUNA N-70 SHORE

For dimensions without tolerance, consider ±0.5 mm All dimensions : mm

Denominazione / Denomination		A-VBC42R-FC100SAE6000-60C	
Specifiche	Ufficio Tecnico Technical Dep.	DC-MA/ECM	MODIFICHE CHANGES
Massa / Mass (kg)	Richiesta / Request	11.547	Gerarchia Prodotto Product Hierarchy
Tipo cavità Cavity type	UT10934	A3	Kit guarniz. Seal kit
Cliente e codice articolo Customer and article code	Num. schema idraulico / Hydraulic scheme no.		Modifiche Changes
Verificato / Checked by	Disegnato / Designed by	02/12/13	Sostituisce Replaces
08479303736000C	08479303736000B		Codice Code
		1:2	Material number
			R930008391

Rev. 01 del 15/12/09