

Part number:

006-10564

HYDROMA

HYDRAULICKÉ SYSTÉMY

**HIDROMA
SYSTEMS**

UKŁADY HYDRAULICZNE

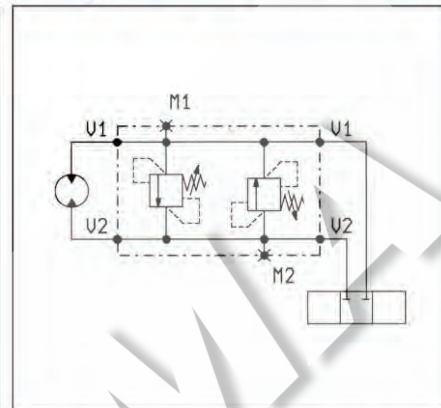
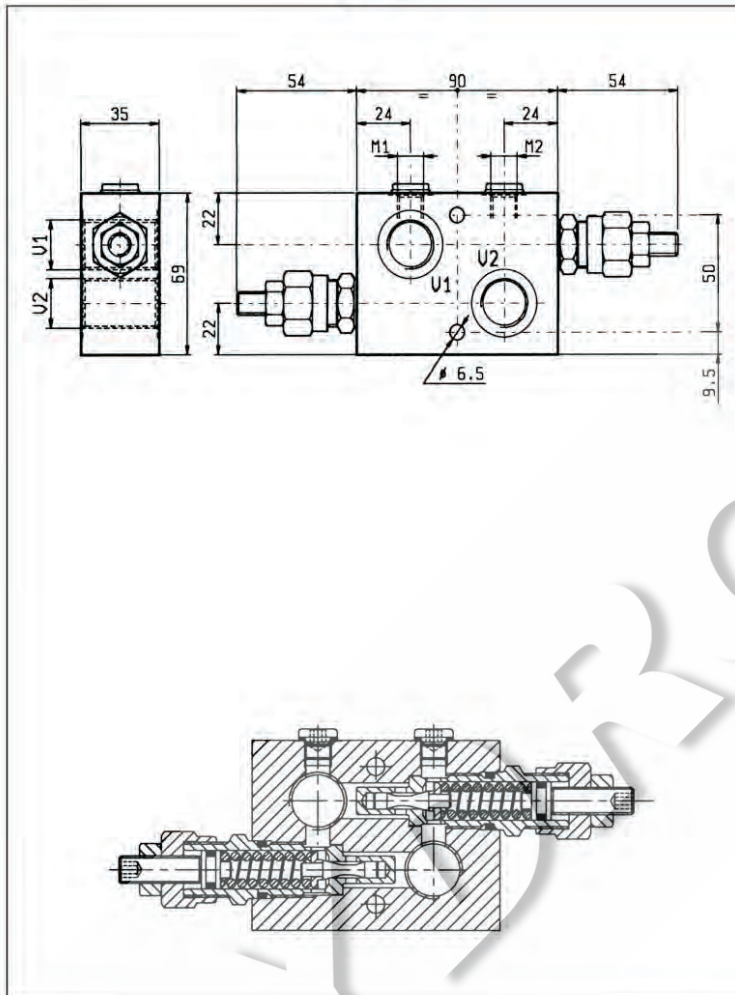
HYDROMA

ГИДРАВЛИЧЕСКИЕ СИСТЕМЫ

**MASSIMA PRESSIONE, DOPPIE INCROCIATE
DUAL CROSS OVER RELIEF**

VSDI-30

05.16.03 - X - Y - Z

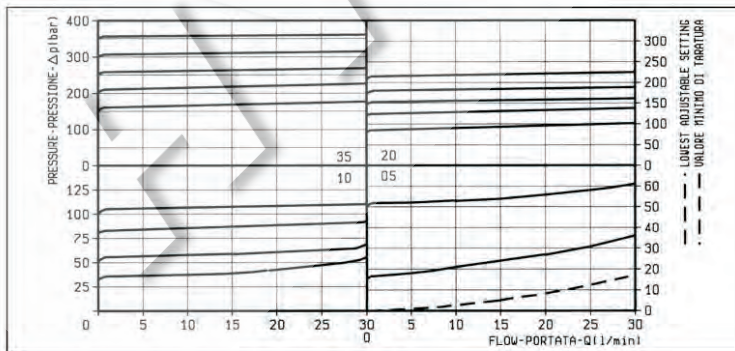




DATI TECNICI / TECHNICAL DATA

Pressione di lavoro max. 350 bar
Max. working pressure

Portata max. 30 l/min
Flow max.

Peso 0.79 kg
Weight



X	REGOLAZIONI ADJUSTMENTS
03	vite esterna esagono incassato leakproof hex. socket screw 
	cappello per piombatura sealing cap codice / ordering code 03.05.01.003 

Z	MOLLE / SPRINGS				
	Campo taratura min - max bar Adj. press. range bar	Incremento press. bar / giro vite Press. increase bar / turn	Taratura standard bar (Q = 5 l/min) Std. setting bar (made at 5 l/min)	Cod. ordinazione Ordering code	Colore Colour
05	5-50	12	50	03.51.01.077	nero black
10	30-100	24	100	03.51.01.076	blu blue
20	50-210	47	200	03.51.01.075	verde green
35	100-350	82	350	03.51.01.059	giallo yellow

Y	ATTACCHI / PORT SIZE	
	V1-V2	M1-M2
02	G 3/8	G 1/8
03	G 1/2	G 1/8