

Part number:

**006-10673**

**HYDROMA**

HYDRAULICKÉ SYSTÉMY

**HIDROMA  
SISTEMS**

UKŁADY HYDRAULICZNE

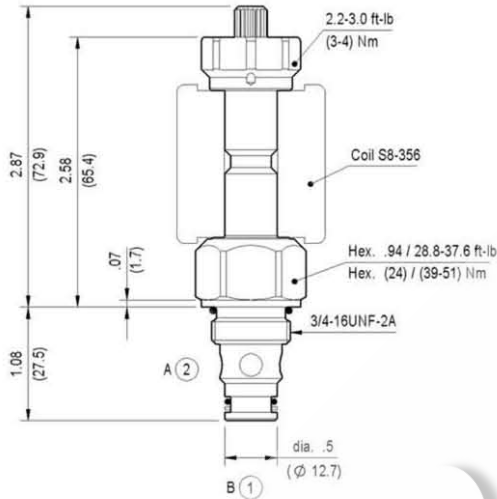
**HYDROMA**

ГИДРАВЛИЧЕСКИЕ СИСТЕМЫ

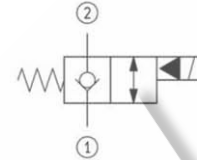
**SOLENOID OPERATED VALVES  
POPPET 2-WAY NORMALLY CLOSED  
COMMON CAVITY**

**VEI-8A-2A-06-NC-S-NSS    SIZE 08    OD.15.05.18 - Y - S0**

PATENT PENDING

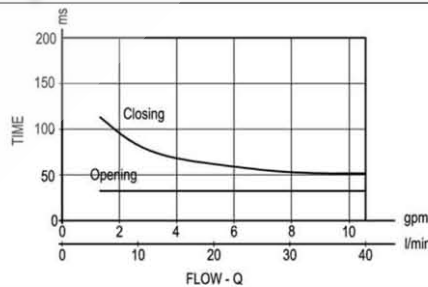
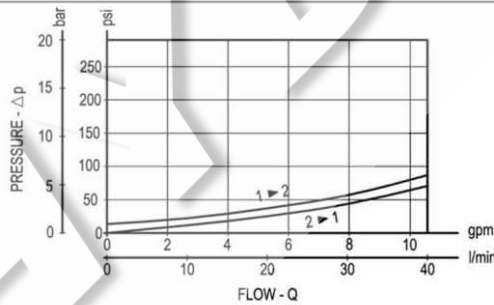


Inches  
(mm)



**TECHNICAL DATA**

Maximum Operating Pressure	5000 psi (350 bar)
Rated Flow	11 gpm (40 l/min)
Cavity - Tooling (CA-08A-2N)	page CT.A.001.U
Line bodies	page MN2.A...
Weight	0.286 lbs (0.130 kg)
Fluids - Temperatures	page 7.01.040
Testing Conditions - Seals	page 7.01.040
Internal Leakage	page 7.01.040
Filtration : 25 μm nominal or better	page 7.01.050
Minimum Voltage Required	90% of nominal
Coils must be ordered separately	page 1.71.042
Mounting Position	unrestricted



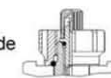
Rev.01.07

**Y ORDERING OPTIONS**

**3A** Standard



**3D** Knob Style Manual Override



1.11B.060.U