

Part number:

HYDROMA

HYDRAULICKÉ SYSTÉMY

**HIDROMA
SYSTEMS**

UKŁADY HYDRAULICZNE

HYDROMA

ГИДРАВЛИЧЕСКИЕ СИСТЕМЫ

RCP FOOT PEDAL 2 SERVICE PORTS WITH SIDE PORTS AND REDUCED BODY HEIGHT

Hydraulic remote control RCP belongs to the wide range of Hydrocontrol S.p.A. This Pedal is characterized by reduced overall dimensions and several configurations. RCP works according to the principle of direct-acting pressure reducing valves. In rest position, the foot pedal is held in neutral by return spring; inlet port P is closed and ports are connected to tank port T.



TECHNICAL SPECIFICATIONS

Max pressure: **100 bar**

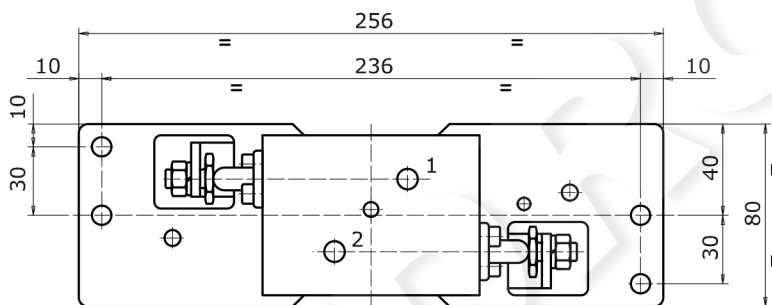
Oil capacity: **12 l/min**

Weight: **3,4 Kg**

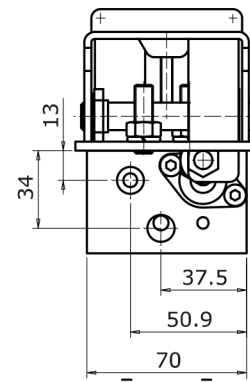
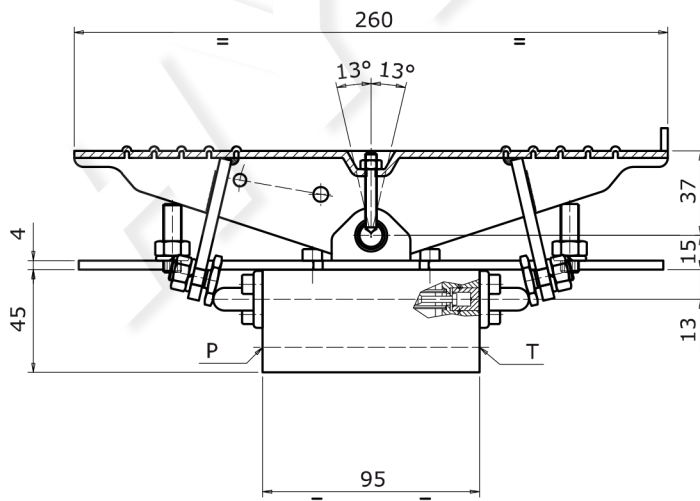
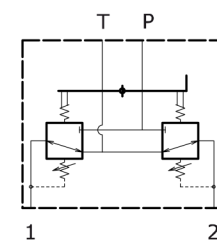
APPLICATIONS

Mini-excavators

DIMENSIONS



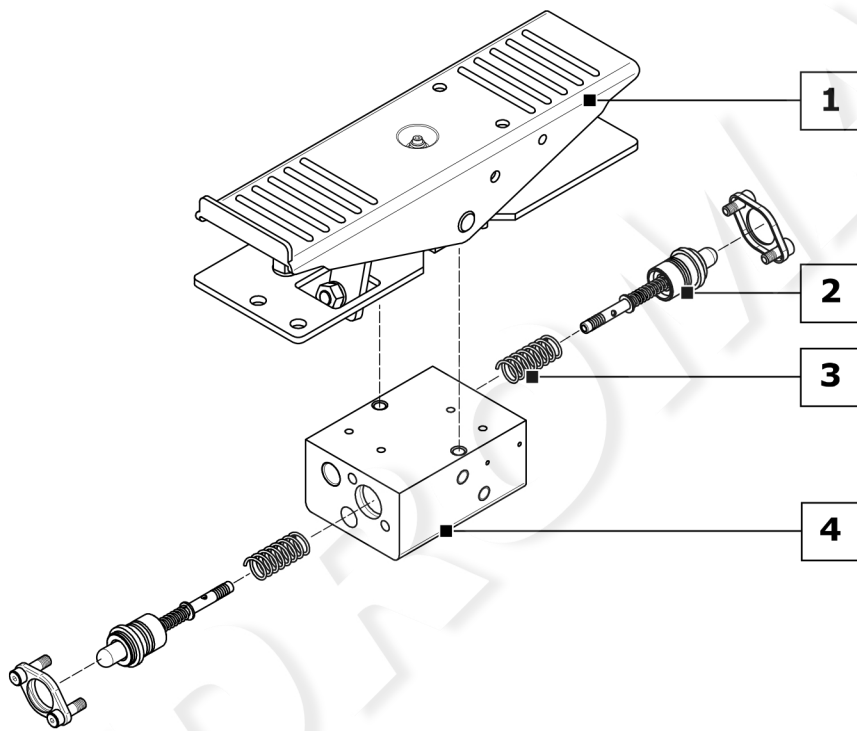
HYDRAULIC SCHEMA



ORDER EXAMPLE = RCP: 01S - A01 - MA - RA G02

- RCP product type _____
- 1 CONTROL CLASSIFICATION:** _____
- 01S** control type
- 2 METERING CURVE:** _____
- A01** curve type
- 3 RETURN SPRING:** _____
- MA** return spring type
- 4 BODY ARRANGEMENT:** _____
- RA** body specification
- G02** body thread

Ordering row 2 and 3, must be repeated for each port
 complete sample: **RCP: 01S A01 MA A01 MA RA G02**



1	CONTROL CLASSIFICATION: (page 36)
01S	Foot pedal with return spring in neutral
02S	Foot pedal with prearranged handle and return spring in neutral
03S	Foot pedal with adjustable angle and prearranged handle and return spring in neutral
04S	Foot pedal with adjustable angle with return spring in neutral
2	METERING CURVE: (page 70)
A01	Linear metering curve with step
B01	Linear metering curve without step
C01	Broken line metering curve with step
D01	Broken line metering curve without step

3	RETURN SPRING: (page 79)
MA	Preload 25 N - End stroke load 48 N
MB	Preload 14 N - End stroke load 27 N
MC	Preload 73 N - End stroke load 135 N
MD	Preload 89 N - End stroke load 169 N
4	BODY ARRANGEMENT: (page 37)
RA G02	Standard Body (G 1/4 ports)
RA U02	Standard Body (9/16"-18 UNF ports)

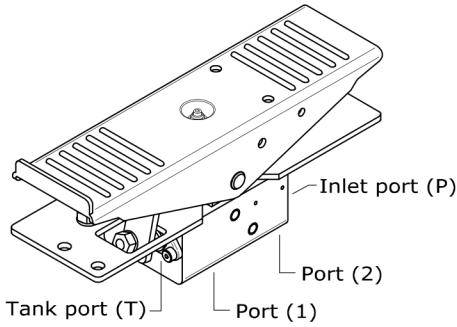
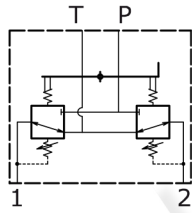
CONTROL KIT CLASSIFICATION

All controls installed on the foot pedal RCP are interchangeable. The controls shown correspond to standard configurations; for different applications contact our Commercial Dept.

Code	Configuration	Schema	Description
01S			Foot pedal with return spring in neutral
02S			Foot pedal with prearranged handle and return spring in neutral
03S			Foot pedal with adjustable angle and prearranged handle and return spring in neutral
04S			Foot pedal with adjustable angle with return spring in neutral

BODY ARRANGEMENT

The foot pedal RCP has only one setting body, the only variable is represented by a different thread.

Code	Configuration	Schema	Description
RA G02	 <p>Inlet port (P) Port (2) Tank port (T) Port (1)</p>		Standard body with ports G 1/4
RA U02			Standard body with ports 9/16" - 18 UNF