

Part number:

**HYDROMA**

HYDRAULICKÉ SYSTÉMY

**HIDROMA  
SYSTEMS**

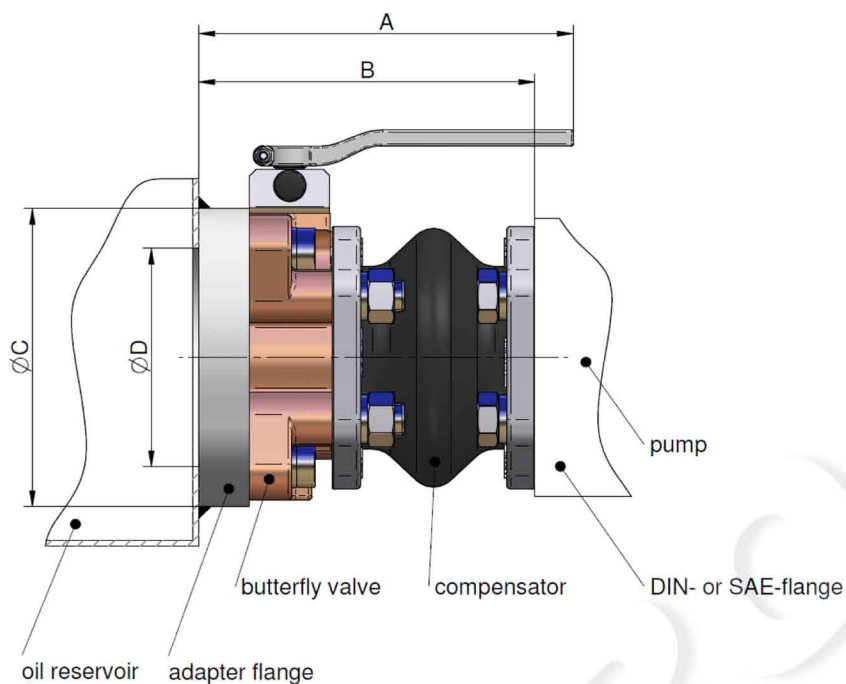
UKŁADY HYDRAULICZNE

**HYDROMA**

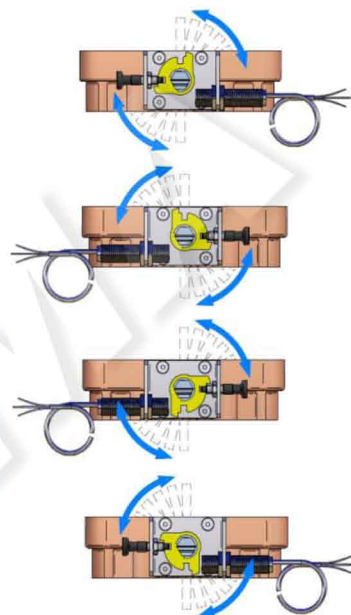
ГИДРАВЛИЧЕСКИЕ СИСТЕМЫ

## Suction Unit SAE 1 1/2" to SAE 5"

The *asa* suction unit has been developed to provide a compact unit in hydraulic systems. The *asa* butterfly flange with SAE connections allows the combination with an elastic element (rubber compensator) to make a short compensating and economical connection with the pump port. The *asa* suction unit is screwed to the *asa* adapter flange, which is welded to the tank. Due to low installation costs and compact design, purchasing *asa* suction units is cost effective. A switch (mechanical or inductive) can be mounted on the standard block for monitoring matters.



possible valve positions and actuating directions<sup>\*)</sup>



<sup>\*)</sup>...the shown valve is attached with the optional available inductive limit switch. Please contact us to discover all functions and options.

### Technical Data

| description | order number | size   |     | A    | B    | C    | D    | weight |
|-------------|--------------|--------|-----|------|------|------|------|--------|
|             |              | SAE    | DIN | [mm] | [mm] | [mm] | [mm] |        |
| ESAF – 40   | SDAK0040T    | 1 1/2" | 40  | 185  | 168  | 130  | 89   | 5,20   |
| ESAF – 50   | SDAK0050T    | 2"     | 50  | 185  | 168  | 150  | 103  | 6,20   |
| ESAF – 63   | SDAK0063T    | 2 1/2" | 65  | 185  | 165  | 150  | 103  | 6,40   |
| ESAF – 80   | SDAK0080T    | 3"     | 80  | 185  | 166  | 150  | 110  | 7,50   |
| ESAF – 100  | SDAK0100T    | 4"     | 100 | 185  | 168  | 180  | 140  | 9,80   |
| ESAF – 125  | SDAK0125T    | 5"     | 125 | 185  | 198  | 205  | 165  | 11,60  |

### Working Ranges

|                        |                |
|------------------------|----------------|
| working pressure range | 0,2 – 1,5 bar  |
| temperature range      | -20°C to +80°C |

### Material

|                           |                            |
|---------------------------|----------------------------|
| butterfly valve housing   | GGG 40 (0.7040), cast iron |
| valve disc                | aluminium                  |
| gasket                    | NBR                        |
| compesator flange         | steel                      |
| compesator rubber inside  | NBR-CR                     |
| compesator rubber outside | CR                         |
| adapter flange            | steel                      |

