

Part number:

**HYDROMA**

HYDRAULICKÉ SYSTÉMY

**HIDROMA  
SYSTEMS**

UKŁADY HYDRAULICZNE

**HYDROMA**

ГИДРАВЛИЧЕСКИЕ СИСТЕМЫ

## Manifolds

RE 18325-85/05.23  
Replaces: 11.22

Standard manifolds common cavity  
Standard manifolds special cavity  
Manifolds with emergency screw  
Manifolds with SUN cavity  
Manifolds with Rexroth special cavity



### General specifications

• Max operating pressure for steel body:	350 bar (5000 psi)
• Max operating pressure for high pressure steel body:	500 bar (7250 psi)
• Max operating pressure for aluminium body:	210 bar (3000 psi)

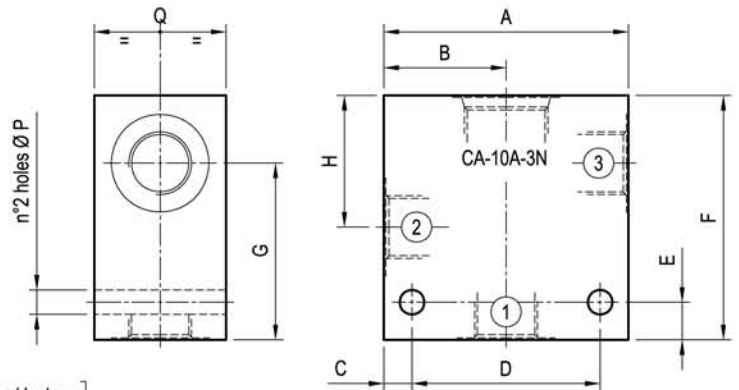
Note: aluminium bodies are often strong enough for operating pressures exceeding 210 bar (3000 psi), depending from the fatigue life expected in the specific application. If in doubt, consult our Service Network.

# Standard manifolds - Common cavity

## Size 10 - Aluminium / Steel

CAVITY: CA-10A-3N

	Ordering code	Ports 1-2-3	Weight kg (lbs)
Aluminium	OC1009116 R901100626	G 1/4	0.35 (0.77)
	OC1009115 R901100638	G 3/8	0.34 (0.75)
	OC1009283 R934000244	G 1/2	0.38 (0.84)
Steel	OC1009226 R934000187	G 1/4	0.98 (2.16)
	OC1009227 R934000188	G 3/8	0.95 (2.09)
	OC1009284 R934000245	G 1/2	1.07 (2.36)

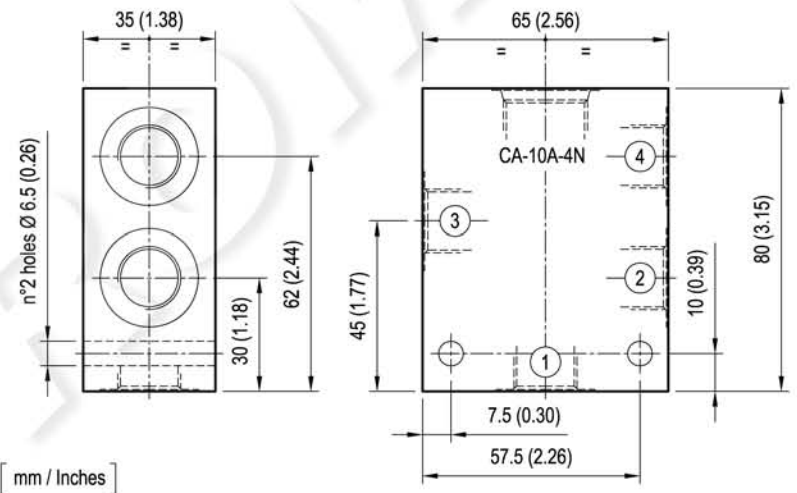


[ mm / Inches ]

65 (2.56)	32.5 (1.28)	7.5 (0.30)	50 (1.97)	10 (0.39)	65 (2.56)	47 (1.85)	35 (1.38)	-	-	-	-	-	-	6.5 (0.26)	35 (1.38)	-	-	G 1/4
65 (2.56)	32.5 (1.28)	7.5 (0.30)	50 (1.97)	10 (0.39)	65 (2.56)	47 (1.85)	35 (1.38)	-	-	-	-	-	-	6.5 (0.26)	35 (1.38)	-	-	G 3/8
70 (2.76)	35 (1.38)	10 (0.39)	50 (1.97)	15 (0.59)	70 (2.76)	52 (2.05)	35 (1.38)	-	-	-	-	-	-	6.5 (0.26)	35 (1.38)	-	-	G 1/2
A	B	C	D	E	F	G	H	I	L	M	N	O	P	Q	R	S	PORTS	

CAVITY: CA-10A-4N

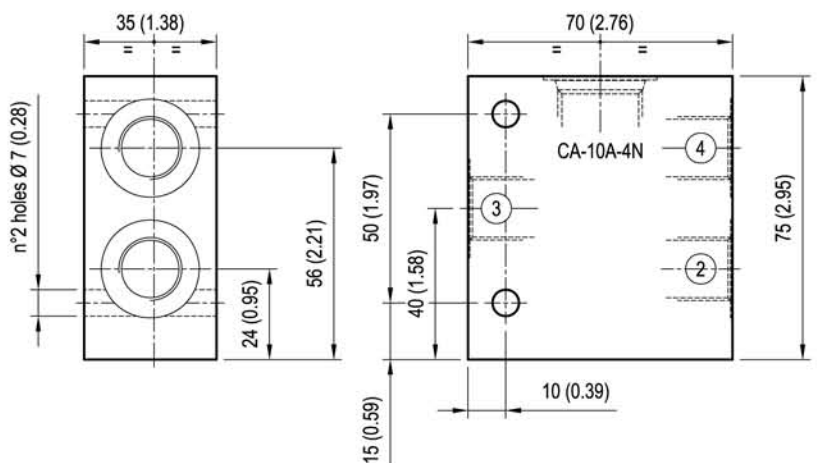
	Ordering code	Ports 1-2-3-4	Weight kg (lbs)
Aluminium	OC1009117 R901100734	G 1/4	0.43 (0.95)
	OC1009118 R901100747	G 3/8	0.41 (0.90)
Steel	OC1009238 R934000199	G 1/4	1.21 (2.67)
	OC1009239 R934000200	G 3/8	1.15 (2.54)



[ mm / Inches ]

CAVITY: CA-10A-4N  
(Port 1 closed)

	Ordering code	Ports 1-2-3-4	Weight kg (lbs)
Aluminium	OC1009252 R934000213	G 3/8	0.42 (0.93)
	OC1009254 R934000215	G 1/2	0.40 (0.88)
Steel	OC1009253 R934000214	G 3/8	1.18 (2.60)
	OC1009255 R934000216	G 1/2	1.12 (2.47)



[ mm / Inches ]