

Part number:

HYDROMA

HYDRAULICKÉ SYSTÉMY

**HIDROMA
SISTEMS**

UKŁADY HYDRAULICZNE

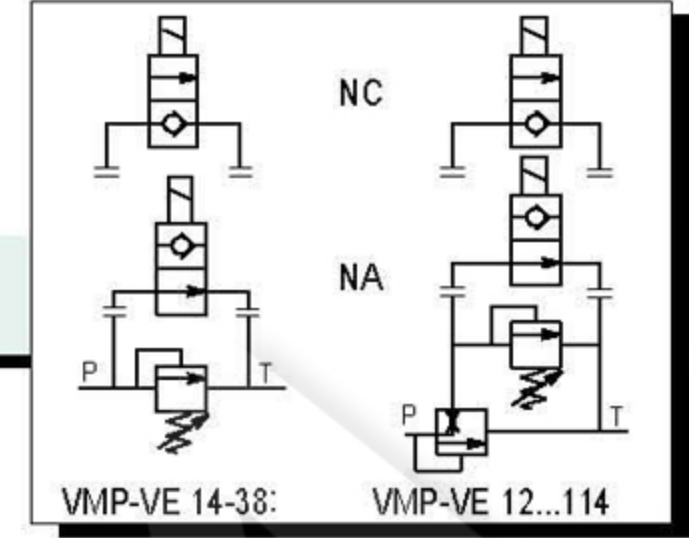
HYDROMA

ГИДРАВЛИЧЕСКИЕ СИСТЕМЫ



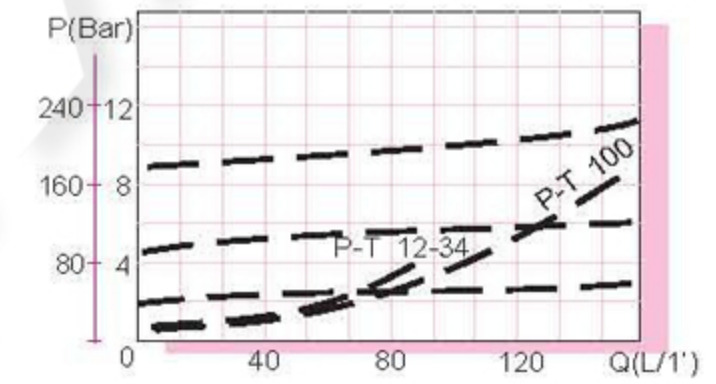
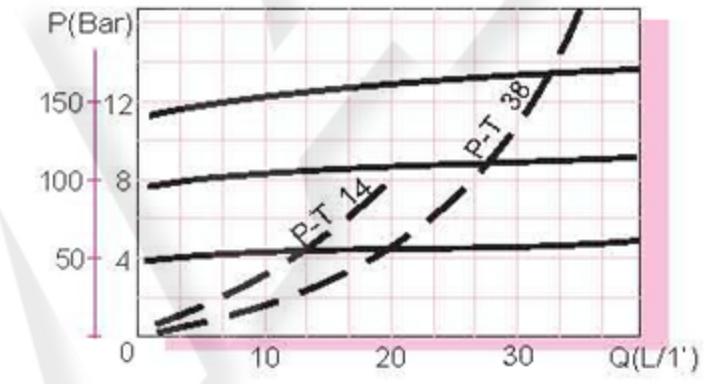
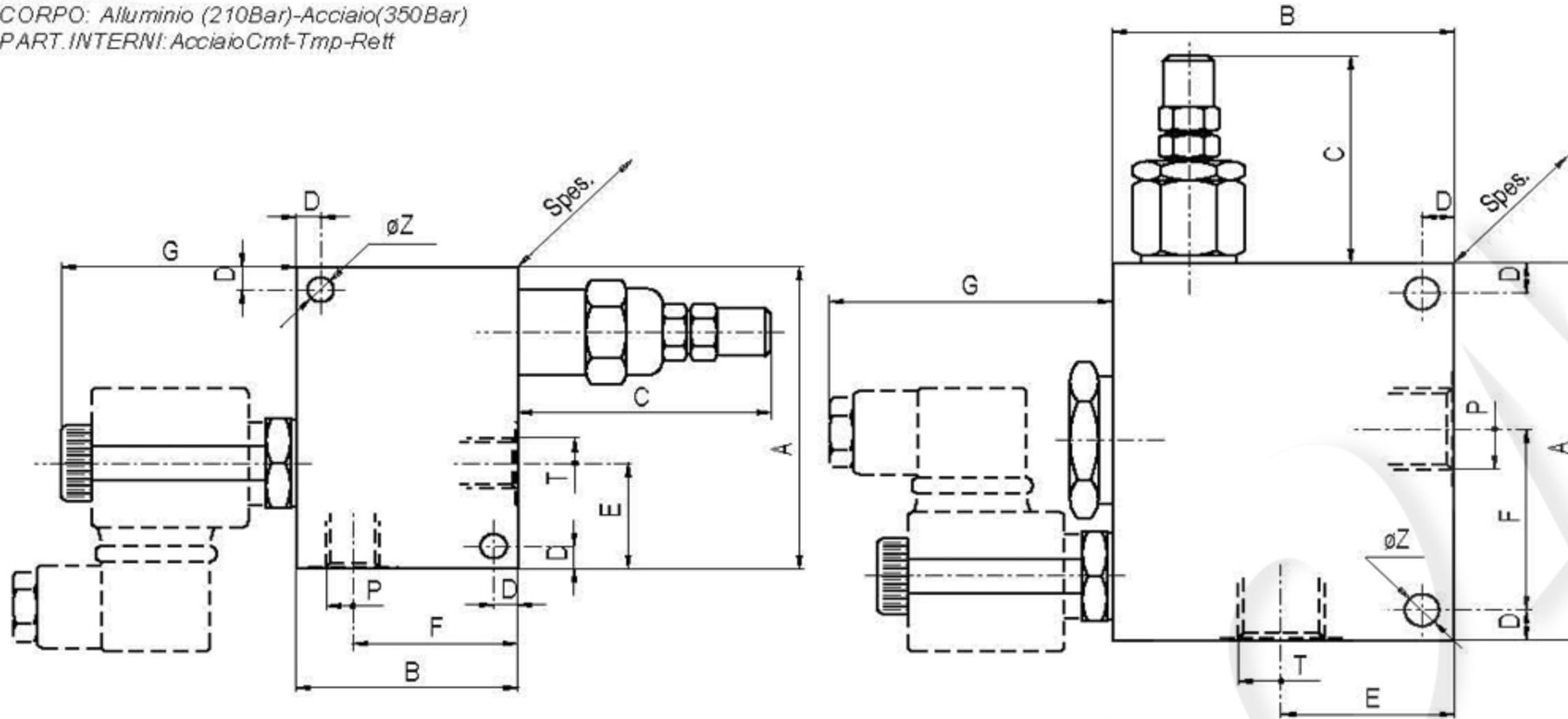
VALVOLE DI MASSIMA PRESSIONE CON BY-PASS O CON VENTING ELETTRICO
RELIEF VALVES WITH ELECTRIC BY-PASS OR ELECTRIC VENTING

Tipo VMP-VE...



MATERIALI

CORPO: Alluminio (210Bar)-Acciaio(350Bar)
PART. INTERNI: AcciaioCmt-Tmp-Rett



VMP-VE 14-38

VMP-VE 12...114

Tipo	P-T	A	B	Spes.	C	D	E	F	G	Z	Q(L/1')	molle(Bar)
VMP/VE 14	G 1/4	80	55	35	60	6	28	41	65	6,5	20	
VMP/VE 38	G 3/8	80	55	35	60	6	28	41	79	6,5	35	
VMP/VE 12	G 1/2	100	85	40	54	8	43	45	63,5	8,5	90	0-40 20-80 50-220 180-350
VMP/VE 34	G 3/4	100	85	40	54	8	43	45	63,5	8,5	90	
VMP/VE 100	G 1"	110	100	50	54	10	50	50	65	10,5	150	
VMP/VE 114	G 1 1/4	130	130	70	54	12	68	60	65	12,5	250	

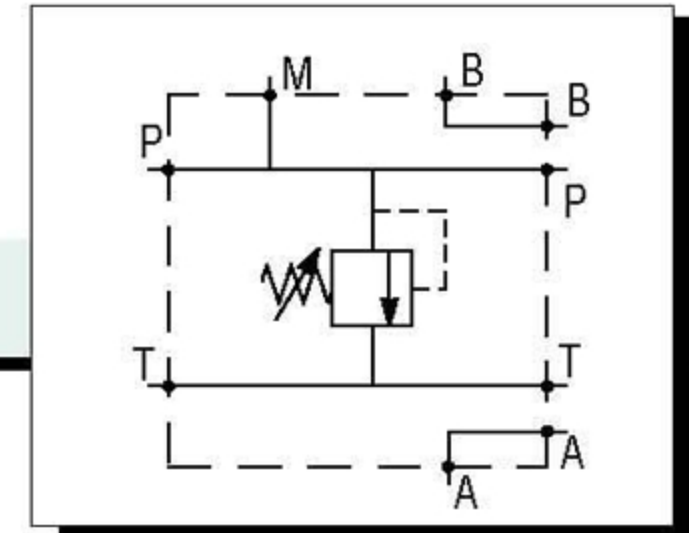
Solenoidi

VMP/VE 38 - BT/... (350 Bar) pag.41
VMP/VE 14...114 - BE/... (210 Bar) pag.41
VMP/VE 14...114 - BT/... (350 Bar) pag.41



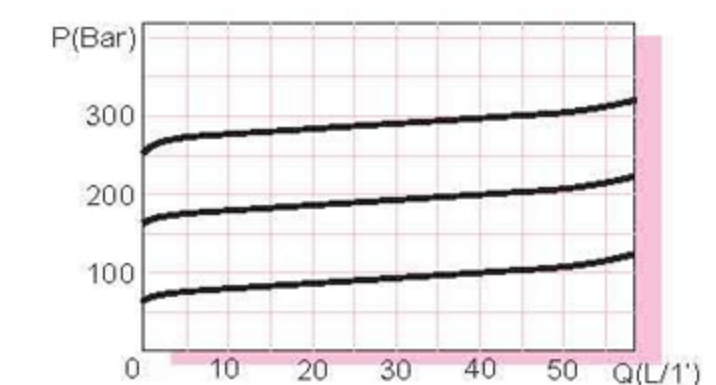
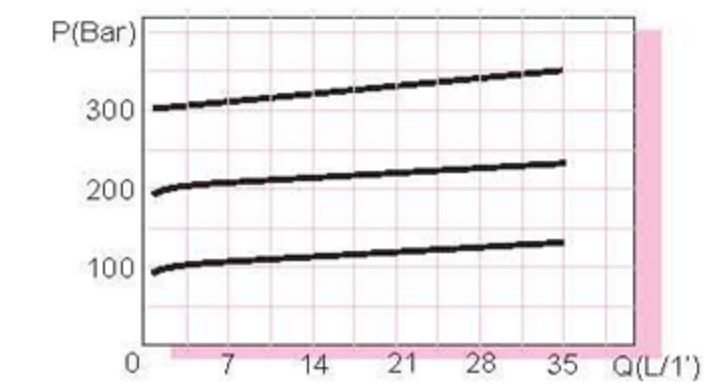
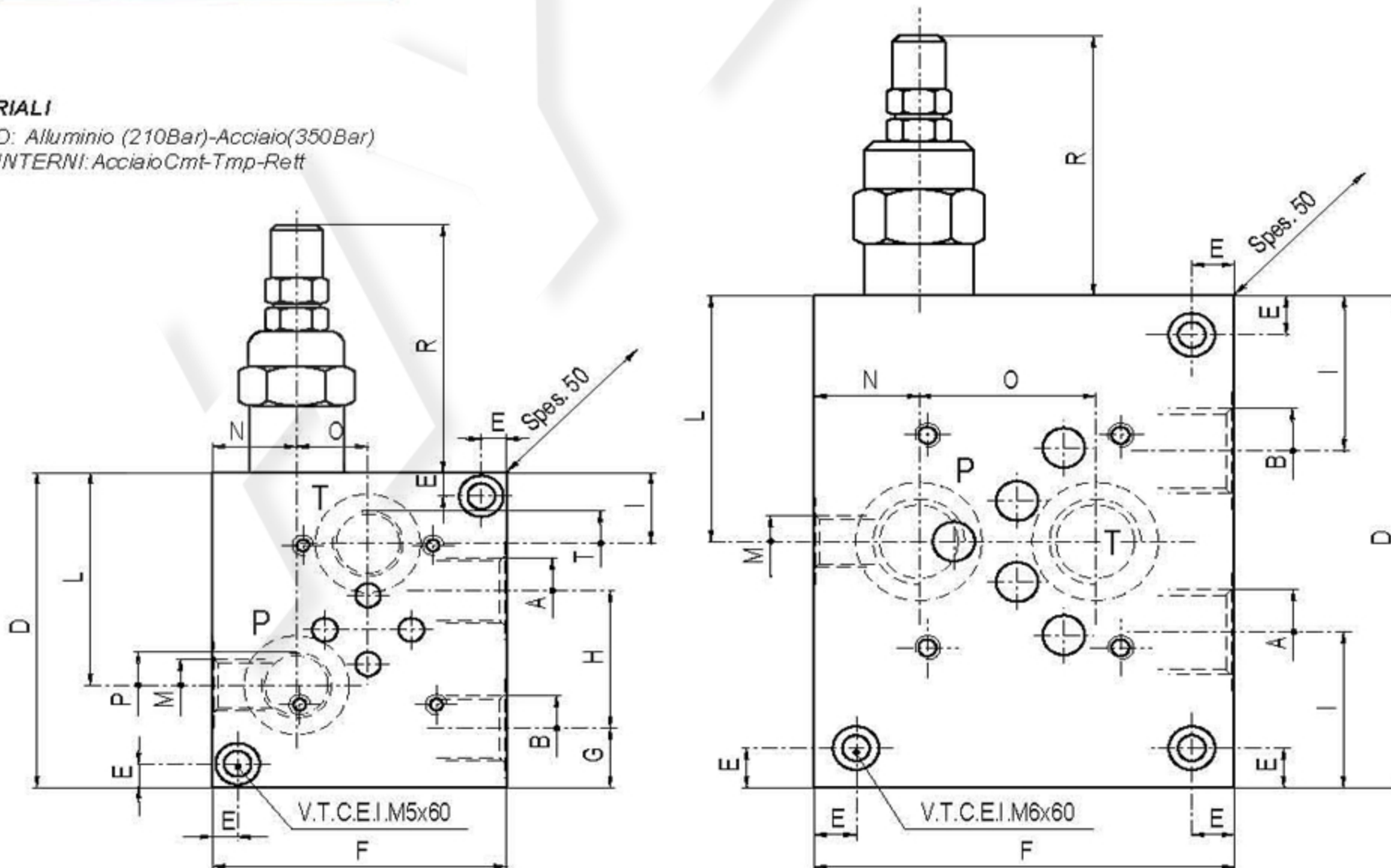
PIASTRA DI BASE CON VALVOLA DI MASSIMA PRESSIONE (BASE "NG 06-NG 10")
RELIEF VALVES, DIRECT ACTING, FOR SOLENOID VALVES, (BASE "NG 06 - NG 10")

Tipo PBL.../VMP...



MATERIALI

CORPO: Alluminio (210Bar)-Acciaio(350Bar)
PART. INTERNI: AcciaioCmt-Tmp-Rett



PBL6/VMP38

PBL10/VMP12

Tipo	A-B	P-T	D	E	F	G	H	I	L	M	N	O	R	Q(L/1')	molle(Bar)
PBL 6/VMP 38	G 3/8	G 3/8	80	6	70	15	35	18	54	G 1/4	20	15	60	35	0-40 20-80 50-220 180-350
PBL 10/VMP 12	G 1/2	G 1/2	125	10	100	-	-	39,5	62,5	G 1/4	25	42	67	60	