

Part number:

HYDROMA

HYDRAULICKÉ SYSTÉMY

HIDROMA
SYSTEMS

UKŁADY HYDRAULICZNE

HYDROMA

ГИДРАВЛИЧЕСКИЕ СИСТЕМЫ

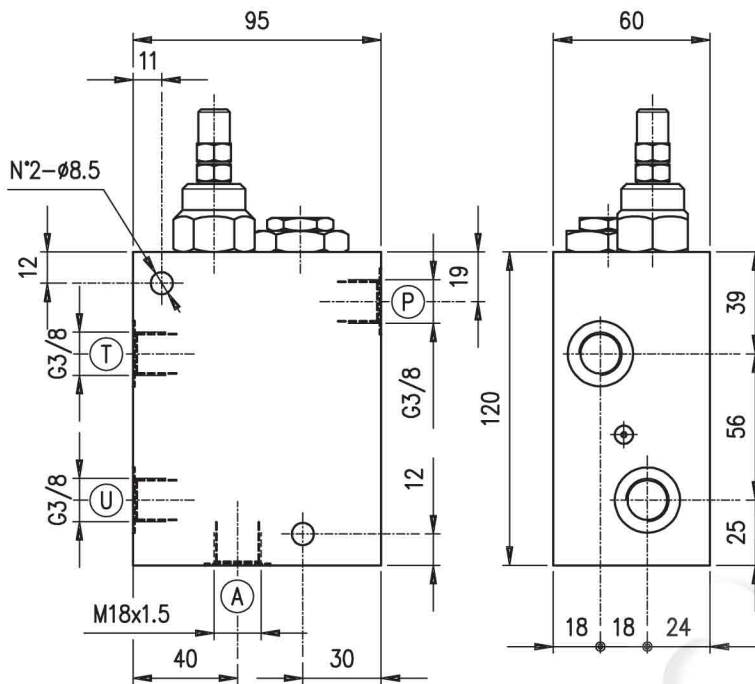
Druckabschaltventile – G 3/8" –



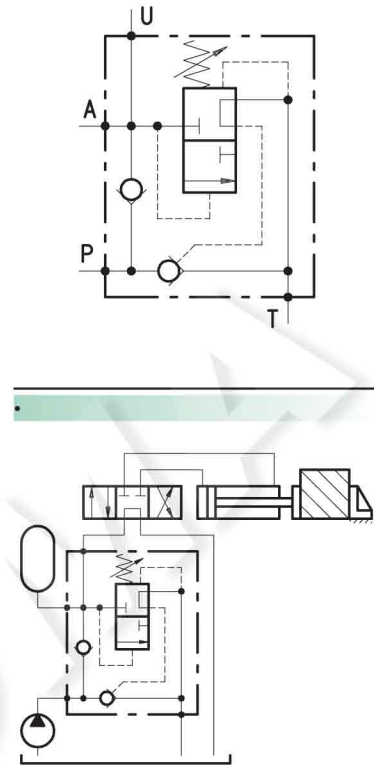
Bestellnr.	Typ	Bezeichnung	Gehäuse	max. Betriebsdruck bar	max. Durchfluss l/min	Code
230-0310-1395	VDA 38/TV.S.VRR	3/8"-Einstellb. 5-110bar-Hutmutter	Alu	250	25	1210021100
230-0310-1400	VDA 38/TR.S.VRR	3/8"-Einstellb. 100-250bar-Hutmutter				1210021101
230-0310-1405	VDA 38/TV.S.VRR/ac	3/8"-Einstellb. 5-110bar-Hutmutter	Stahl	1210022100		
230-0310-1410	VDA 38/TR.S.VRR/ac	3/8"-Einstellb. 100-250bar-Hutmutter		1210022101		

SEQUENCE
VDA 38

• DIMENSIONS (mm)



• HYDRAULIC DIAGRAM



• DESCRIPTION

Automatic cut-off valve.

• OPERATION

Allows for pump discharge when the setting pressure is reached in U. Later the valve keeps constant pressure in U by means of the accumulator in A.

• PERFORMANCE

Maximum flow: 25 l/min.

Maximum Pressure: 250 bar (aluminium body).

Application range with standard springs:

- 5 ÷ 110 bar (test setting: 90 bar at 5 l/min.)
- 100 ÷ 250 bar (test setting: 200 bar at 5 l/min.)

To perform setting of the valve see the pressure drop / flow diagram.

Connection Pressure:

- 15% of the valve setting pressure for standard valves
- ask our technical office for special valves

Working temperature:

- min. -25°C max. 90°C with standard BUNAN gaskets
- min. -20°C max. 120°C with optional VITON gaskets

• RECOMMENDATIONS:

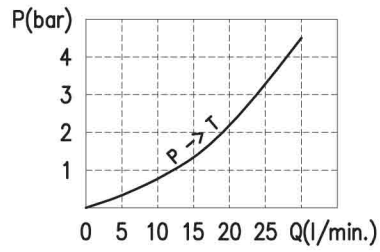
Fluid: best use mineral oil with viscosity ranging between 10 and 200 cSt.

Filter: see page Z.9000.000.

Weight: 2.15 kg (aluminium body)

Material: internal components made out of high-grade steel duly treated and fabricated

• RATING DIAGRAMS



Oil viscosity 46 cSt

• CODE NUMBER

