

Part number:

HYDROMA

HYDRAULICKÉ SYSTÉMY

HIDROMA
SYSTEMS

UKŁADY HYDRAULICZNE

HYDROMA

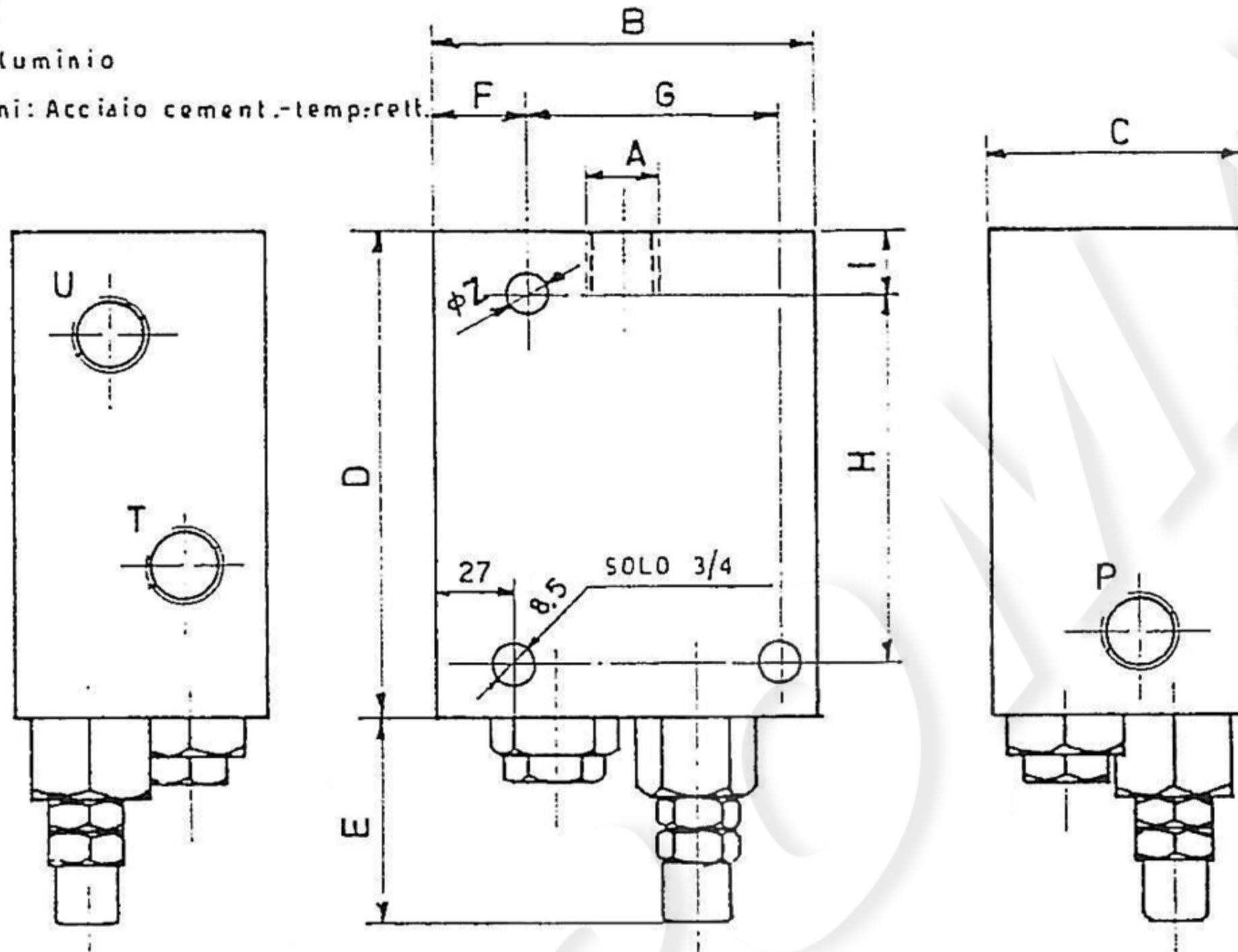
ГИДРАВЛИЧЕСКИЕ СИСТЕМЫ

VALVOLE DI DISINSERZIONE AUTOMATICA
UNLOADER VALVE, BUILT-IN CHECK, LINE MOUNTING
TYPE VDA

MATERIALI

Corpo : Alluminio

Part. interni: Acciaio cement.-temp:rett.

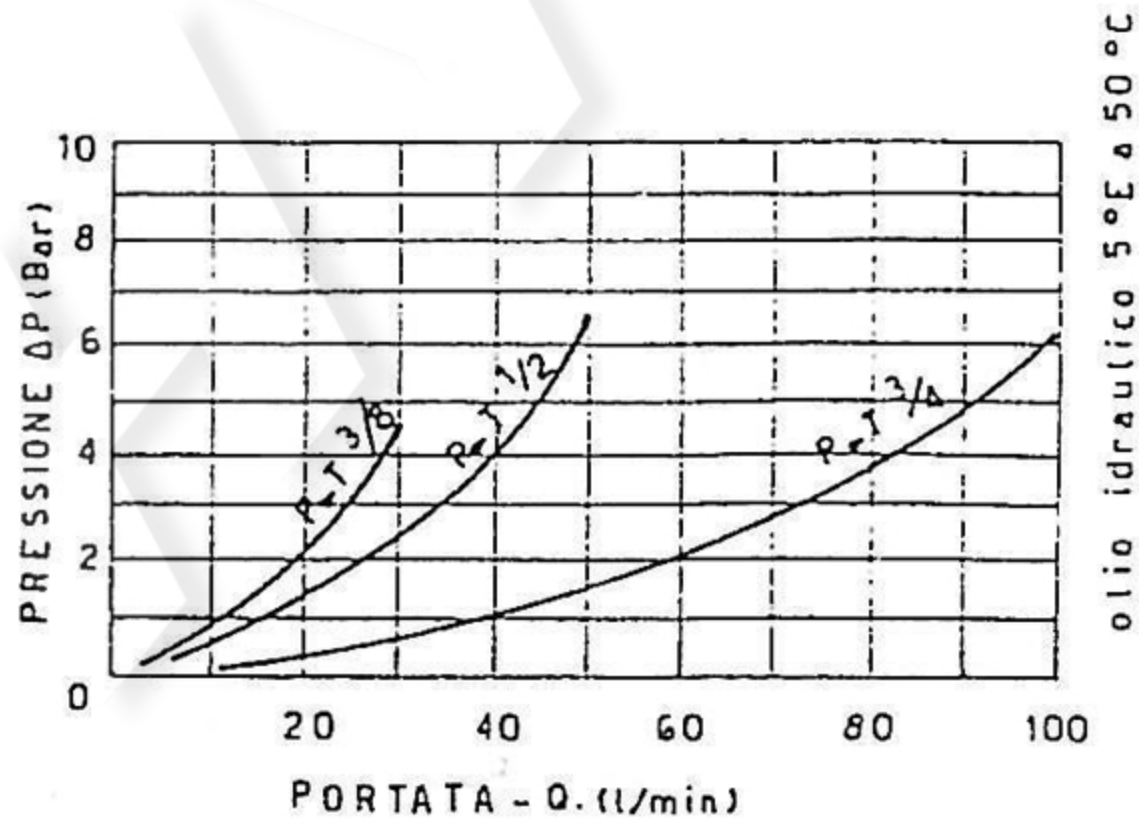


DIFFERENZIALE

- normale : 15%
- speciale : a richiesta

Press. max. 315 Bar

| TIPO | P/U | A | T | B | C | D | E | F | G | H | I | Z | Portata l/1' |
|---------|-------|----------|-------|-----|----|-----|----|----|----|-----|----|-----|--------------|
| VDA 3/8 | 3/8 G | 18x1,5 M | 3/8 G | 95 | 60 | 120 | 50 | 30 | 54 | 96 | 12 | 8,5 | 25 |
| VDA 1/2 | 1/2 G | 1/2 G | 1/2 G | 108 | 60 | 120 | 50 | 42 | 54 | 96 | 11 | 8,5 | 50 |
| VDA 3/4 | 3/4 G | 1/2 G | 3/4 G | 120 | 60 | 145 | 50 | 75 | 36 | 126 | 10 | 8,5 | 100 |



MOLLE : Verde 0 ÷ 110 Bar
Rossa 100 ÷ 250 Bar

