

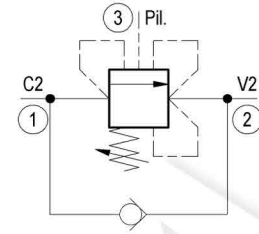
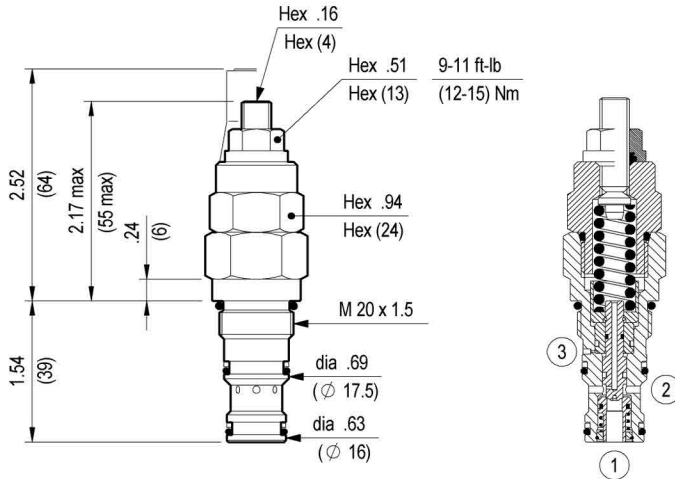
Part number:

**COUNTERBALANCE, RELIEF COMPENSATED
GUIDED POPPET TYPE
CAVITY INTERCHANGE**

VBSP-08HH

A6610

04.54.04 - X - 20 - Z



TECHNICAL DATA

Max. pressure: 5000 psi (350 bar)

Max. flow: 8 gpm (30 l/min)

Cavity : INTEGRATED HYDRAULICS A6610

External seal kit : see page A11.111

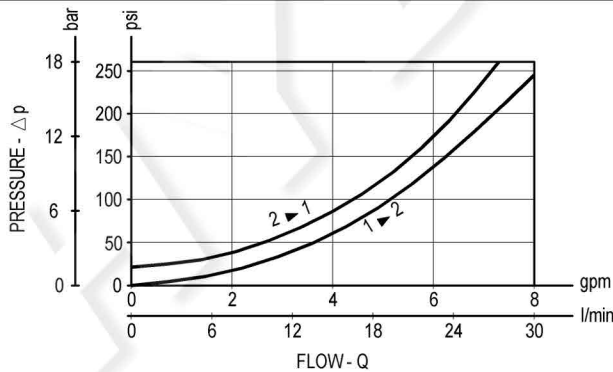
Installation torque : 33 ft-lb (45 Nm)

Weight: 0.397 lbs (0.180 Kg)

Pressure setting: at least 1.3 times the load induced pressure

Inches
(mm)

When pressure at 2 rises above the spring bias pressure, the check seat is pushed away from the piston and flow is allowed from 2 to 1. When load pressure at 1 rises above the pressure setting, the direct-acting, relief function is activated and flow is relieved from 1 to 2. With pilot pressure at 3, the pressure setting is reduced in proportion to the stated ratio of the valve, until fully open with free-flow from 1 to 2. The spring chamber is drained to 2. The valve applies a balanced piston design allowing relief operation at the valve setting independent of back-pressure at 2. However, the piloted opening of the valve remains subject to additive pressure at port 2.



X PILOT RATIO

03 4 : 1

SPRINGS

OPTIONS

Z	SPRINGS			
	Adj. press. range psi (bar)	Press. increase psi / turn (bar/turn)	Standard setting psi (bar) (Q=5 l/min)	Ordering code
20	1450-3000 (100-210)	1581 (109)	2900 (200)	03.51.01.328
35	2900-5000 (200-350)	1987 (137)	5000 (350)	03.51.01.327

OPTIONS	
Ordering code	Description
11.04.23.002	 Tamper resistant cap
Special settings available. Contact factory authorized representative for ordering code.	