

Part number:

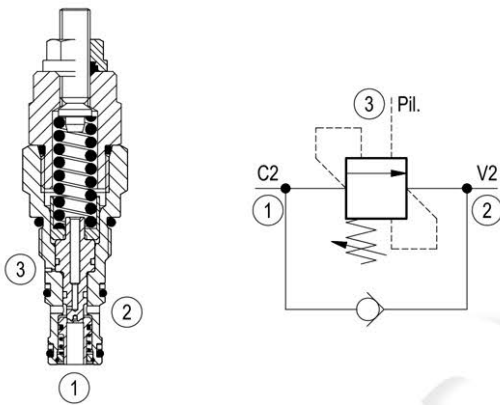
RE 18320-01/01.10 1/2
Replaces: RE 00162-02/01.06

Counterbalance, standard guided poppet type

Common cavity, Size 08

VBSN-08AA

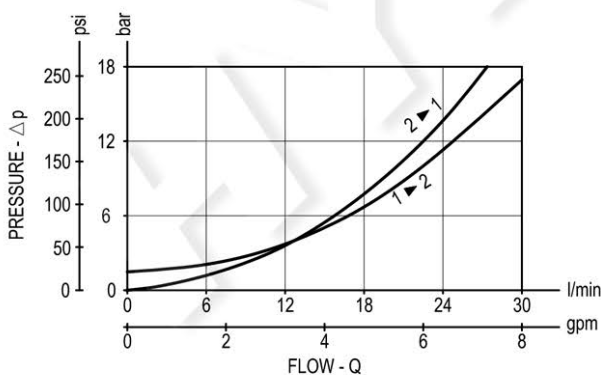
04.52.20 - X - 56 - Z



Description

When pressure at 2 rises above the spring bias pressure, the check seat is pushed away from the piston and flow is allowed from 2 to 1. When load pressure at 1 rises above the pressure setting, the direct-acting, relief function is activated and flow is relieved from 1 to 2. With pilot pressure at 3, the pressure setting is reduced in proportion to the stated ratio of the valve, until fully open with free-flow from 1 to 2. The spring chamber is drained to 2, and any back-pressure at 2 is additive to the pressure setting in all functions.

Performance



Technical data

| | | |
|---------------------------|----------------------|--|
| Max. operating pressure | bar (psi) | 350 (5000) |
| Max. flow | l/min. (gpm) | 30 (8) |
| Max. internal leakage (*) | drops/min. | 15 |
| Fluid temperature range | °C (°F) | -30 to 100 (-22 to 212) |
| Installation torque | Nm (ft-lbs) | 34-41 (25-30) |
| Weight | kg (lbs) | 0.18 (0.4) |
| Cavity | | CA-08A-3C see data sheet RE 18325-70 |
| Seal kit (**) | code material no. | RG08A9010520100 R901101592 |
| Fluids | | Mineral-based or synthetics with lubricating properties at viscosities of 10 to 500 mm ² /s (cSt) |
| Filtration | | Nominal value max. 10µm (NAS 8) ISO 4406 19/17/14 |
| Installation | | No restrictions |
| Other Technical Data | | See data sheet RE 18350-50 |

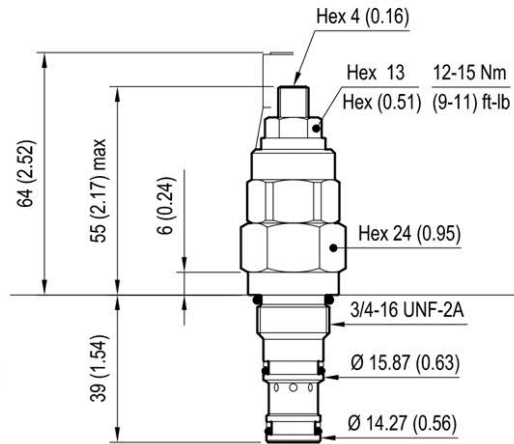
Pressure setting: at least 1.3 times the load induced pressure.

(*) At 70% of pressure setting

(**) Only external seals for 10 valves

Dimensions

OPTION
 Tamper resistant cap
 ordering code 11.04.23.002
 Mat. no. R930000752



mm (Inches)

Ordering code

| | | | | | |
|----------|---|----|---|----|---|
| 04.52.20 | X | 56 | Z | 00 | * |
|----------|---|----|---|----|---|

Counterbalance,
 standard guided poppet type

Series 0/A to L
 unchanged performances and dimensions

Version and options standard

Pilot ratio

= 03 4:1

= 33 4:1 With sealed pilot (for Z=20 only)

SPRINGS

| | Adj. press. range bar (psi) | Pressure increase bar/turn (psi/turn) | Std. setting bar (psi) Q=5 l/min |
|------|--------------------------------|---|--|
| = 15 | 70-150 (1000-2200) | 72.5 (1051) | 150 (2200) |
| = 20 | 100-210 (1450-3000) | 109 (1581) | 200 (2900) |
| = 35 | 200-350 (2900-5000) | 137 (1987) | 350 (5000) |

Common cavity, Size 08

Note: Special settings available. Contact factory
 authorized representative for ordering code

| Type | Material number |
|-----------------|-----------------|
| 045220035615000 | R901161990 |
| 045220035620000 | R901095960 |
| 045220035635000 | R901095961 |
| 04522033562000A | R930006428 |

| Type | Material number |
|------|-----------------|
| | |
| | |
| | |
| | |