

Part number:

**025-10105**

**HYDROMA**

HYDRAULICKÉ SYSTÉMY

**HIDROMA  
SYSTEMS**

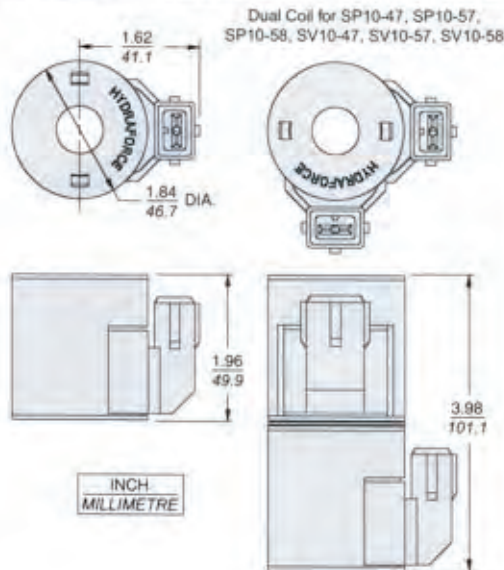
UKŁADY HYDRAULICZNE

**HYDROMA**

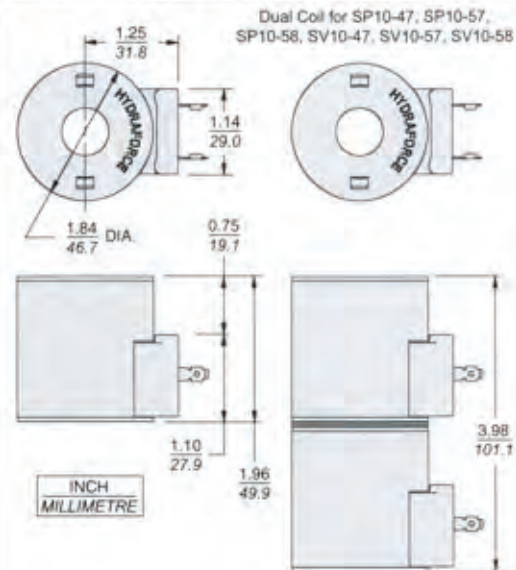
ГИДРАВЛИЧЕСКИЕ СИСТЕМЫ

## Series E Environmental Coils

**10-SIZE SERIES E COILS** (Also for use on 12-size poppet valves and 16-size poppet valves)



**EJ**  
IP67 Rated 10-Size Coil  
Amp Jr. Timer Connector



**EG**  
IP65 Rated 10-Size Coil; DIN 43650 Connector  
IP67 rated if used with sealed mating connector and gasket

EJ Coil Part No.	EJ/Z* Coil Part No.	EG Coil Part No.	EG/Z* Coil Part No.	Operating Voltage	Resistance at 20°C	Initial Current Draw	Power	Coil Weight
—	—	4305881	4305891	10 VDC	5.0 ohms	2.0 amps	20.0 watts	408 g. (14.4 oz.)
4305612	4305412	4305882	4305892	12 VDC	7.1 ohms	1.7 amps	20.5 watts	408 g. (14.4 oz.)
—	—	4305883	4305893	20 VDC	19.1 ohms	1.0 amps	19.1 watts	408 g. (14.4 oz.)
4305624	4305424	4305884	4305894	24 VDC	28.5 ohms	0.8 amps	18.2 watts	408 g. (14.4 oz.)

\* Models with Zener Diode

Note: Electrical specifications for Series E coils differ from those for standard HydraForce coils. (Refer to page 3.200.1 for standard coil specifications.)

