

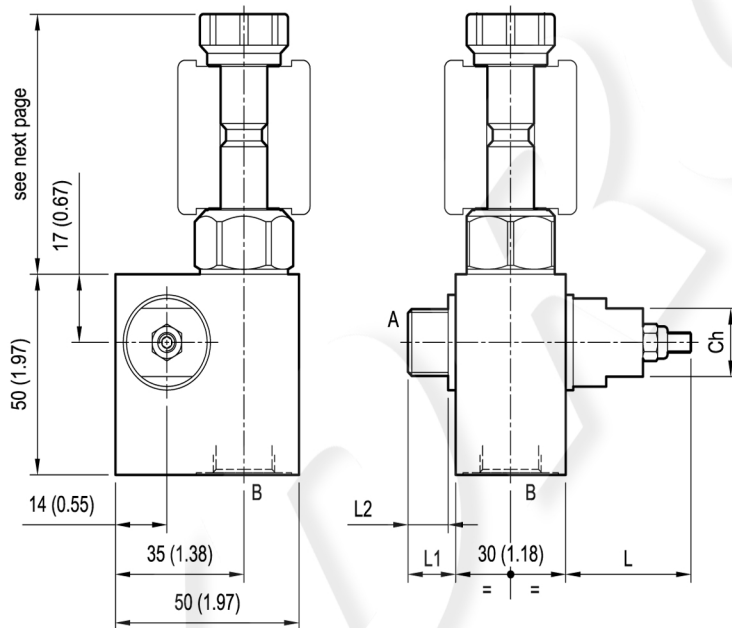
Part number:

Standard integrated circuits for single acting cylinder

VEI-VCDCBL-8A-06

OL.17 - K - 18 - Y - Z - W

Dimensions



[mm (inches)]

30.2 (1.19)	12.5 (0.49)	11 (0.43)	14 (0.55)			G 1/4	30 (22)
33.6 (1.32)	12.5 (0.49)	12 (0.47)	17 (0.67)			G 3/8	60 (44)
L	L1	L2	Ch			Ports Size	Tightening Torque Nm (ft-lb)

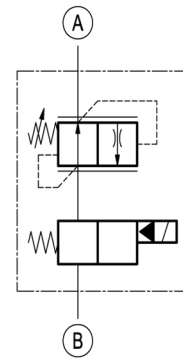
Technical data

Max flow: up to 40 l/min (11 gpm)

Max operating pressure: 210 bar (3000 psi)

Standard manifolds in high strength **aluminium**.

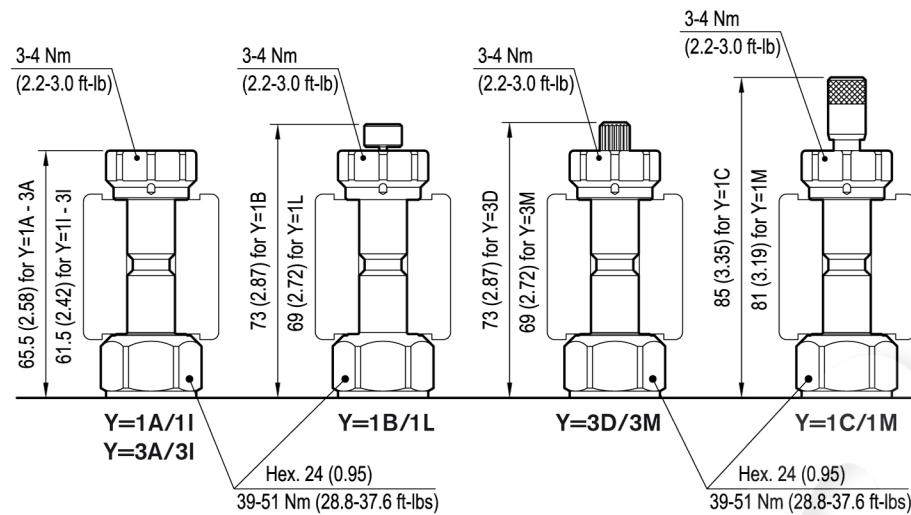
For working pressure up to 350 bar (5000 psi) and for fatigue applications with any working pressure, steel manifolds are available upon request.



Cartridge schemes

monodirectional type	bidirectional type

Cartridge style



CARTRIDGE TECHNICAL DATA	
Common cavity: CA-08A-2N	
Filtration: 25 µm nominal or better	
Minimum voltage required: 90% of nominal value	
Coil : S8-356 must be ordered separately (see data sheet RE 18325-90)	
Mounting position: unrestricted	
For other details see cartridge data sheet	

[mm (inches)]

OL17	- K -		18	- Y -		- Z -		CARTRIDGE SCHEME	- W -	REGULATED FLOW RANGE A > B l/min (gpm/min)	
	monodir.	bidir.		Rated Flow	30 l/min (8 gpm)	40 l/min (11 gpm)	Ports size A-B			G 1/4	G 3/8
CARTRIDGE CODE	OD15	05	18	3I	3A	09	02		02	1-1.6 (0.26-0.42)	/
	OD15	05	18	3M	3D	09	02			03	1.6-2.5 (0.42-0.66)
	OD15	06	18	1I	1A	09	02		04		2.5-4 (0.66-1.06)
	OD15	06	18	1L	1B	09	02			05	4-6.3 (1.06-1.67)
	OD15	06	18	1M	1C	09	02		06		6.3-10 (1.67-2.64)
	OD15	31	18		3A	09	02				
	OD15	31	18		3D	09	02				
	OD15	32	18		1A	09	02				
	OD15	32	18		1B	09	02				
	OD15	32	18		1C	09	02				

Performance graphs

