

Part number:

Solenoid operated valves

2-way 2-positions

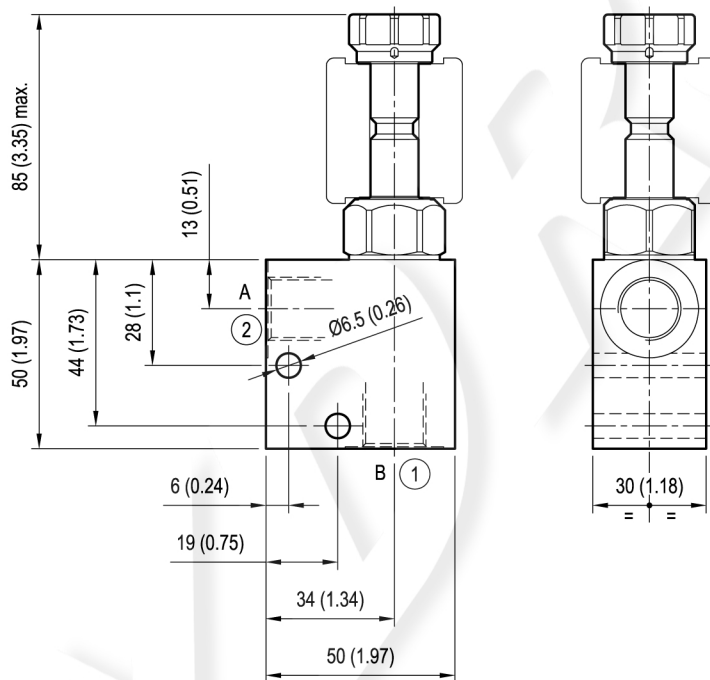
Common cavity size 08

Cartridge style in manifold

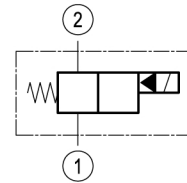
VEI-CS-8A/8I-06

OS.15 - K - 18 - Y - Z - W

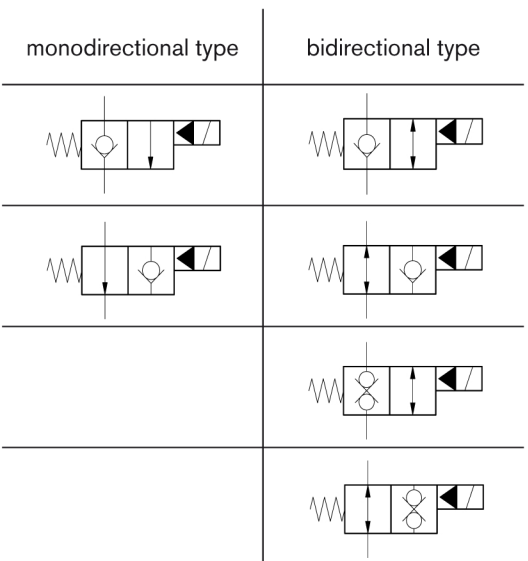
Dimensions



[mm (inches)]



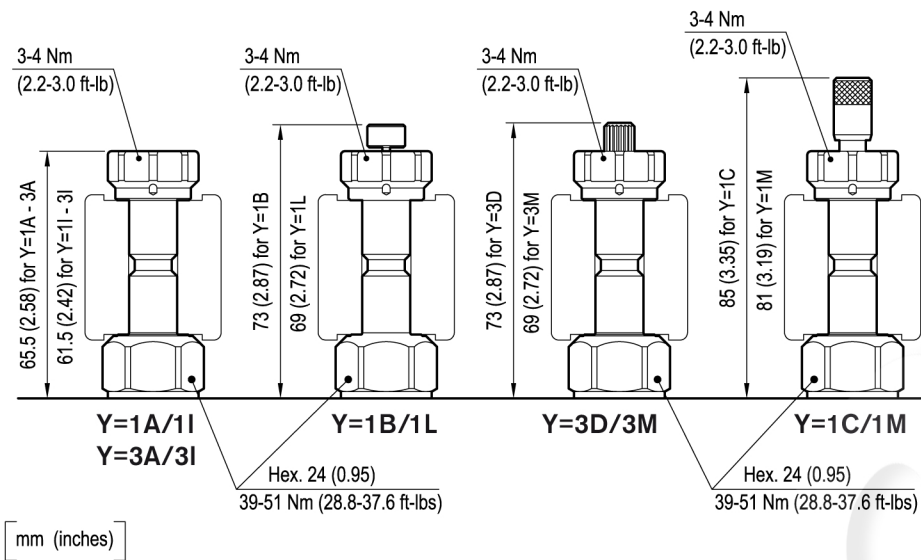
Cartridge schemes



Technical data

Max flow:	up to 40 l/min	(11 gpm)
Max operating pressure for steel body:	350 bar	(5000 psi)
Max operating pressure for aluminium body:	210 bar	(3000 psi)

Dimensions



CARTRIDGE TECHNICAL DATA

Common cavity: **CA-08A-2N**

Filtration: 25 µm nominal or better

Minimum voltage required: 90% of nominal value

Coil : S8-356 **must be ordered separately** see data sheet RE 18325-90

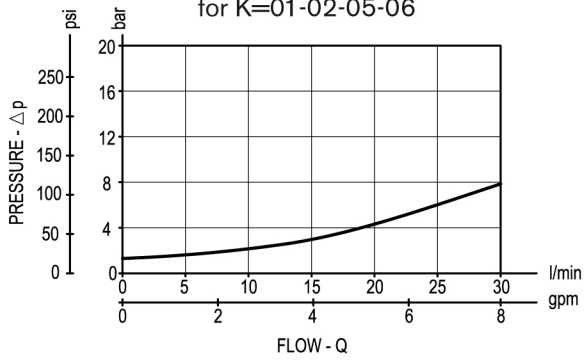
Mounting position: unrestricted

For other details see cartridge data sheet

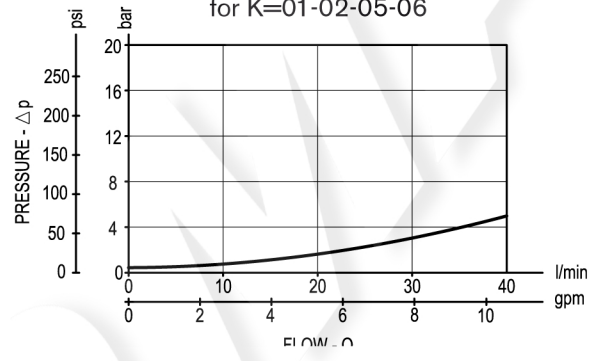
OS15	- K -		18	- Y -		- Z -		- W -		CARTRIDGE SCHEME		
	monodir.	bidir.		Rated Flow		Ports size 1-2		Material		monodir.	bidir.	
				30 l/min (8 gpm)	40 l/min (11 gpm)	G 1/4	G 3/8	Aluminium	Steel			
CARTRIDGE CODE	OD15	01	05	18	3I	3A	09	02	00	S0		
	OD15	01	05	18	3M	3D	09	02	00	S0		
	OD15	02	06	18	1I	1A	09	02	00	S0		
	OD15	02	06	18	1L	1B	09	02	00	S0		
	OD15	02	06	18	1M	1C	09	02	00	S0		
	OD15		31	18		3A	09	02	00	S0		
	OD15		31	18		3D	09	02	00	S0		
	OD15		32	18		1A	09	02	00	S0		
	OD15		32	18		1B	09	02	00	S0		
	OD15		32	18		1C	09	02	00	S0		

Performance graphs

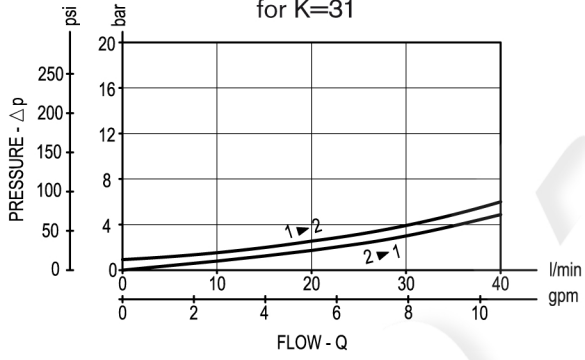
30 l/min (8 gpm)
for K=01-02-05-06



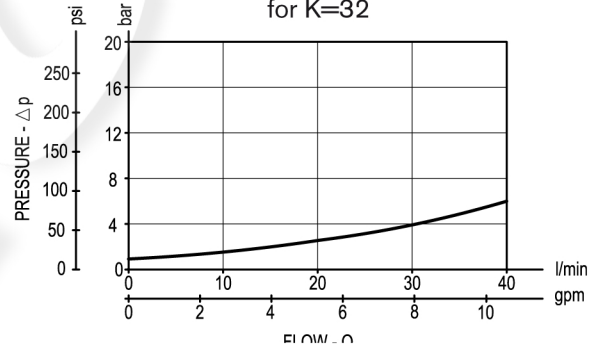
40 l/min (11 gpm)
for K=01-02-05-06



40 l/min (11 gpm)
for K=31



40 l/min (11 gpm)
for K=32



Ordering code

OS.15	K	18	Y	Z	W
-------	---	----	---	---	---

Manifold with solenoid operated valve, 2-way 2-positions

Cartridge scheme (see page 1 and 2)

= 01	Monodirectional
= 02	
= 05	Bidirectional
= 06	
= 31	
= 32	

Common cavity Size 08

Manifold material

= 00	Aluminium
= S0	Steel

Port sizes (see table on page 2)

= 09	G 1/4
= 02	G 3/8

See table on page 2

Preferred types (readily available)

Type	Material number	Type	Material number
OS1501183I0200	R934002825	OS1505183D09S0	R934000727
OS1501183I0900	R934002826	OS1505183I0200	R934002878
OS1501183M0200	R934002830	OS1505183I0900	R934002881
OS1502181C0200	R934002835	OS1505183M0200	R934003480
OS1502181C0900	R934002836	OS1516181A0200	R934002922
OS1502181C09S0	R934002837	OS1506181A0900	R934002925
OS1502181I0200	R934002838	OS1506181B0200	R934002927
OS1502181I02S0	R934000418	OS1506181C0200	R934002929
OS1502181I0900	R934002839	OS1506181C0900	R934002934
OS1502181L0200	R934002842	OS1506181I0900	R934002937
OS1502181M0200	R934002844	OS1531183A0200	R934002972
OS1505183A0200	R934002868	OS1531183A0900	R934002976
OS1505183A0900	R934002872	OS1532181A0200	R901132028
OS1505183D0200	R934002876	OS1532181A0900	R934002998