

Part number:

HYDROMA

HYDRAULICKÉ SYSTÉMY

**HIDROMA
SISTEMS**

UKŁADY HYDRAULICZNE

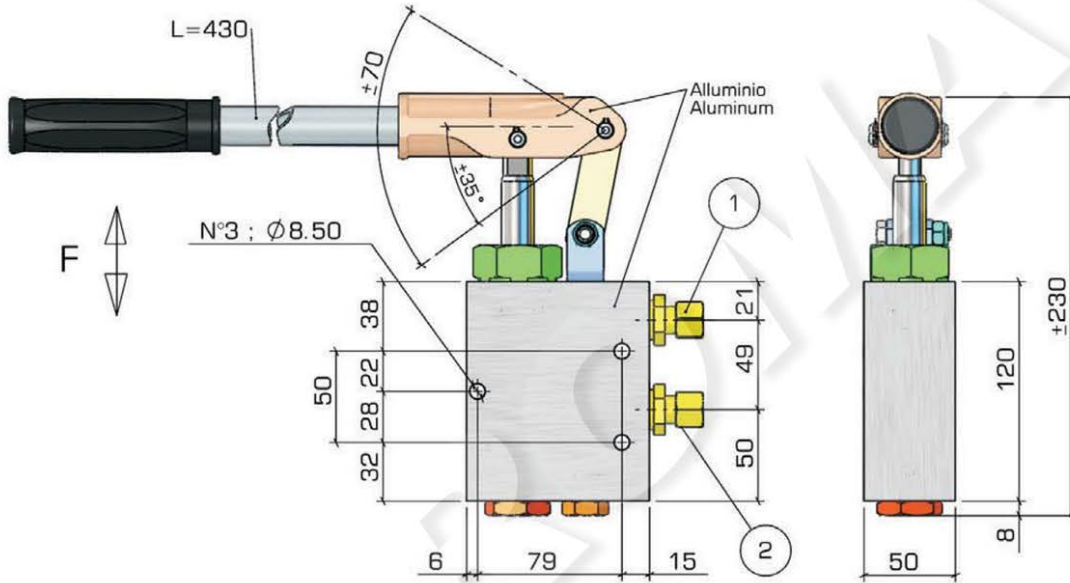
HYDROMA

ГИДРАВЛИЧЕСКИЕ СИСТЕМЫ

Hydraulic Hand Pumps - Foot Pedal Pumps
Air-Hydraulic Pumps - Accessories

Hydraulic Hand Pump Type GLDE 25 H ALL

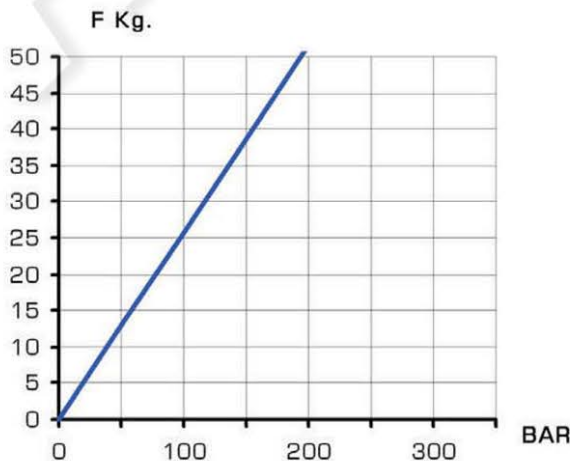
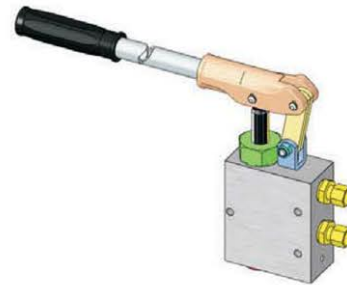
Double stroke function for single acting cylinder



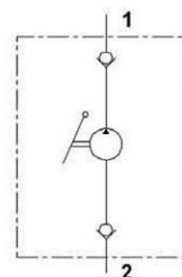
Weight kg. ~3.2

- 1 Pressure Port (for pipe ø15)
- 2 Suction (for pipe ø15)

TYPE	DELIVERY cm ³	PRESSURE Bar
GLDE25H-ALL	25	150



Mounting :
Any position.



Dimensions and characteristics not binding. Modifications reserved without prior notice.