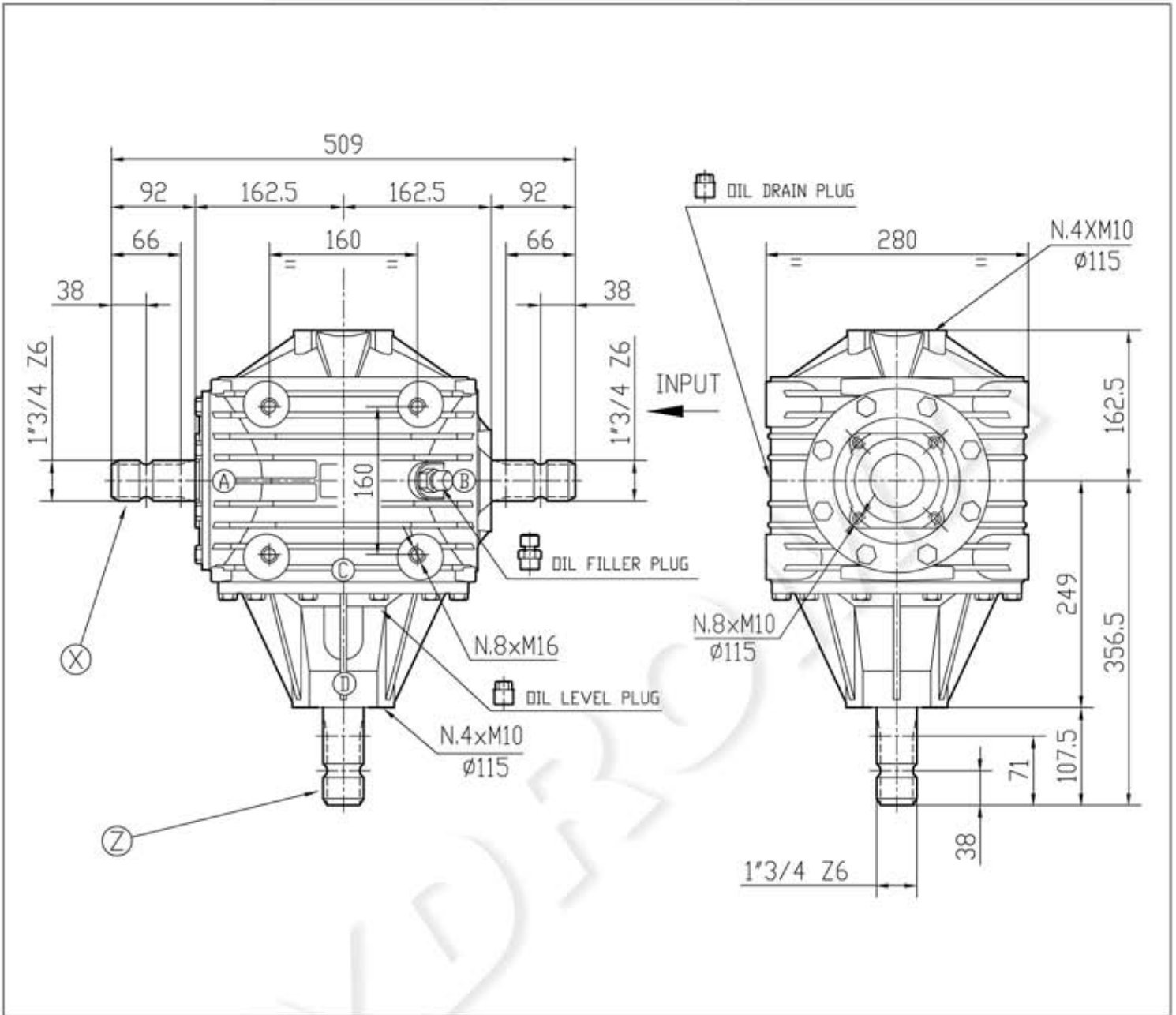


REF.	1315-0181-01	DESIGNATION	T-301B
DATE	02-08-2001	CODE	301.024.00



REDUCTION GEAR UNIT	Ratio		Rated input		Rated input power		Rated output		Weight		Lubricant			
	i		r.p.m.		HP		torque		Kg		Oil <input checked="" type="checkbox"/> Grease <input type="checkbox"/>			
	1.93 : 1		1000		145		da Nm		61.5		Type			
											SAE.90EP			
	Quantity Lt.										4.4			
	Gear Arrangement		Bevel couplings					Cylindrical couplings					Bearings	
			Teeth number		Module		Teeth number		Module		A			
			Z 1 Z 2 Z 3 Z 4		M.		Z 1 Z 2 Z 3 Z 4		M.		B			
			15 29		7.3						C			
											D			
										E				
										F				
										G				
										H				
Components material														
Casing		Shaft X		Shaft Z		Bevel gear		Spur gear						
GS 400 UNI ISO 1083		18 NiCrMo5		18 NiCrMo5		Z15=18 NiCrMo5 Z29=20 CrNi4								