

Part number:

**HYDROMA**

HYDRAULICKÉ SYSTÉMY

**HIDROMA  
SYSTEMS**

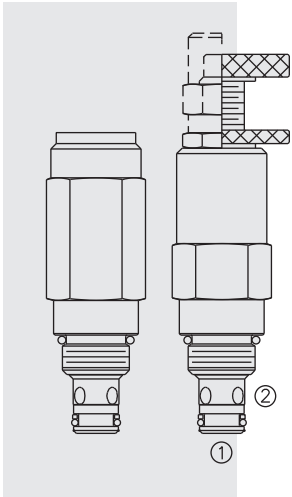
UKŁADY HYDRAULICZNE

**HYDROMA**

ГИДРАВЛИЧЕСКИЕ СИСТЕМЫ

## PRESSURE CONTROLS

# RV58-20 Relief, Direct-Acting Poppet, High Pressure



### DESCRIPTION

A screw-in, cartridge-style, direct-acting, poppet-type, hydraulic relief valve intended for lower flow circuits requiring low internal leakage at higher pressures.

### OPERATION

The **RV58-20** blocks flow from 1 to 2 until sufficient pressure is present at 1 to force the spring-opposed poppet from its seat.

Note: The RV58-20 may not be used in cross-over relief applications (back pressure on 2).

### FEATURES

- Adjustments cannot be backed out of the valve.
- Adjustments prohibit springs from going solid.
- Rapid response to pressure changes.
- Compact size.

### RATINGS

**Operating Pressure:** 345 bar (5000 psi)

**Flow:** See Performance Chart

**Internal Leakage:** 0.25 cc/minute (5 drops/minute) max. to 75% of nominal setting

**Crack Pressure Defined:** bar (psi) evident at 0.95 lpm (0.25 gpm) attained

**Reseat Pressure:** Nominal 80% of crack pressure

**Standard Spring Range:** 55.2 to 317.2 bar (800 to 4600 psi)

**Operating Temperature:** -54 to 107°C with standard Polyurethane seals

**Filtration:** See page 9.010.1

**Fluids:** Mineral-based or synthetics with lubricating properties at viscosities of 7.4 to 420 cSt (50 to 2000 sus); See Temperature and Oil Viscosity, page 9.060.1

**Installation:** No restrictions; See page 9.020.1

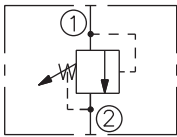
**Cavity:** VC08-2; See page 9.108.1

**Cavity Tool:** CT08-2XX; See page 8.600.1

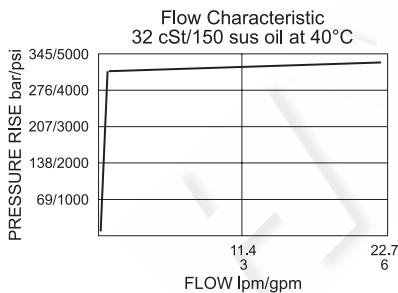
**Seal Kit:** SK58-2X-B; See page 8.650.1

### SYMBOLS

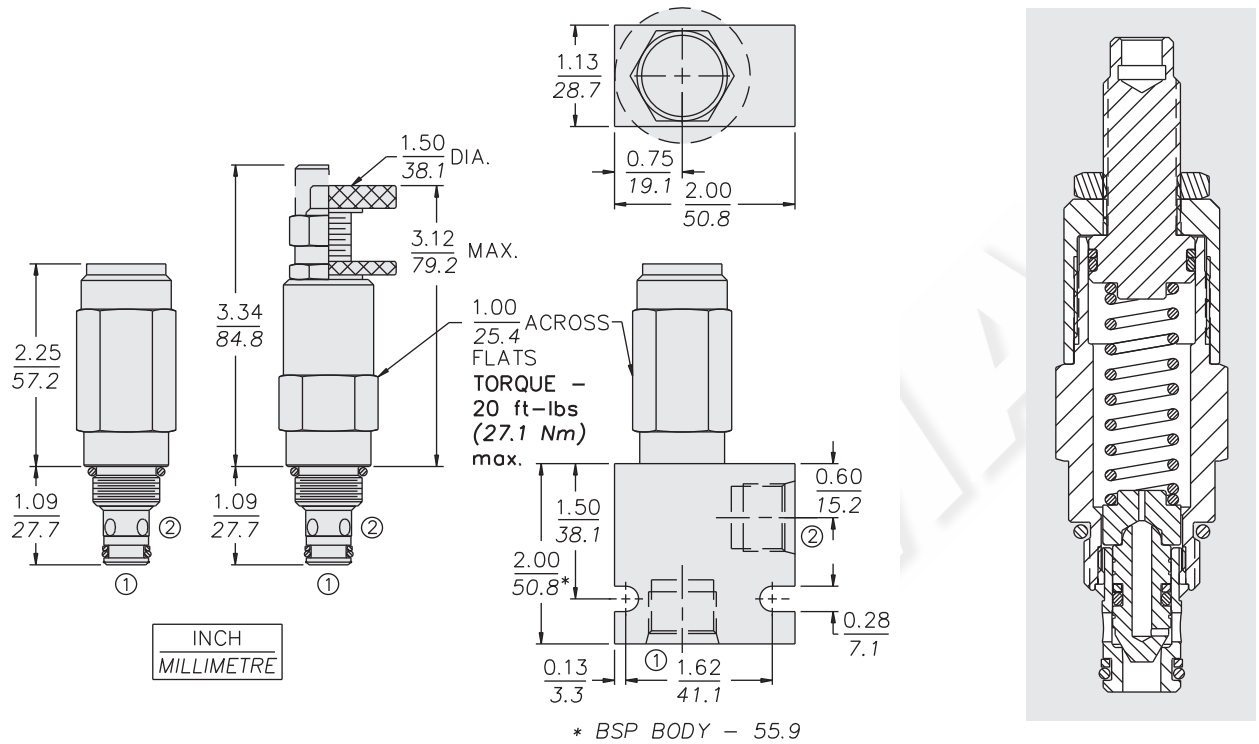
#### USASI/ISO:



### PERFORMANCE (Cartridge Only)



**DIMENSIONS**



**MATERIALS**

**Cartridge:** Weight: 0.23 kg. (0.50 lbs.)  
 Steel with hardened work surfaces.  
 Zinc-plated exposed surfaces.  
 Polyurethane O-rings and back-up standard. Anodized aluminum knobs and caps.

**Ported Body:** Weight: 0.54 kg. (1.20 lbs.); Ductile Iron (code "D") standard, consult factory for weight, dimensions may differ. Rated to 345 bar (5000 psi). See page 8.008.1.

**TO ORDER**

**RV58-20 - - - 4 6 /**

<p><b>Adjustment Option</b></p> <p>1/4 in. Hex Allen Head <b>A</b></p> <p>1-1/2 in. Dia. Alum. Knob <b>B</b></p> <p>Option A w/ Cover Cap <b>C</b></p> <p>Factory Preset Non-Adj. <b>F</b></p> <p>Factory_Preset <b>H</b></p> <p>Hidden_Adj. <b>H</b></p> <p>Option C w/ Lockwire Holes <b>L</b></p>	<p><b>Porting</b></p> <p>Cartridge_Only <b>0</b></p> <p>SAE6 <b>6TD</b></p> <p>SAE8 <b>8TD</b></p> <p>1/4 in. BSP* <b>2BD</b></p> <p>3/8 in. BSP* <b>3BD</b></p> <p>*BSP Body; U.K. Mfr. Only</p>	<p><b>Seals</b></p> <p>Pressure on <b>P</b></p> <p><b>P Only:</b> Polyurethane (Std.)</p>	<p><b>Setting in bar<sup>†</sup></b></p> <p>(Blank) for Adjustable, or Specify, for example: <b>M275</b> 275 bar</p> <p><b>Setting in psi<sup>†</sup></b></p> <p>(Blank) for Adjustable, or Specify, for example: <b>40.1</b> 4010 psi</p>	<p><b>Spring Range</b></p> <p><b>46</b> 55.2 to 317.2 bar (800 to 4600 psi)</p>
--	---	---	--	---

<sup>†</sup>Adjustable valves will be preset to approx. 50% of spring max. potential.