

Part number:

HYDROMA

HYDRAULICKÉ SYSTÉMY

**HIDROMA
SYSTEMS**

UKŁADY HYDRAULICZNE

HYDROMA

ГИДРАВЛИЧЕСКИЕ СИСТЕМЫ

LME FLOAT SWITCHES

Note: the float switch must be mounted at min 50 mm from ferrous walls.
Max oil viscosity: 150 cSt

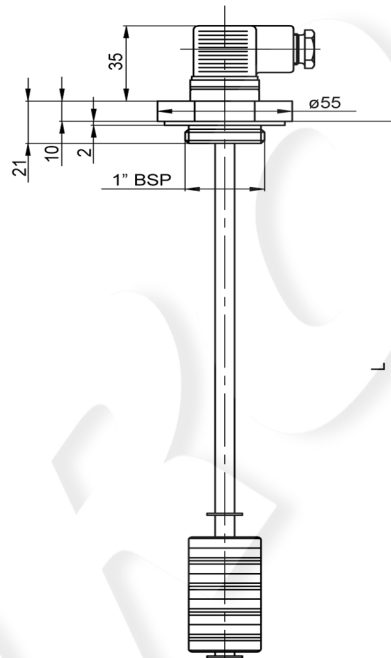
MATERIALS

Tank connection: anodized aluminium
Rod: stainless steel
Float: polyamide

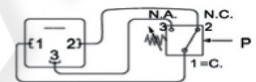
COMPATIBILITY (ISO 2943)

Full with fluids: HH-HL-HM-HV-HTG-HFC
(according to ISO 6743/4).

For fluids different than the above mentioned, please contact our Sales Department.

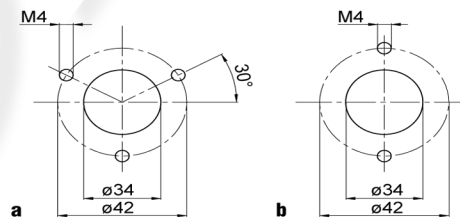


ELECTRICAL DATA



SPDT Reed switch
Max load AC up to 48 V - 0,5 A
Maxload DC up to 48 V - 0,5 A
Connector DIN 43650
Protection DIN 40050: IP 65

Type	L
LME 150 B5F	150
LME 200 B5F	200
LME 250 B5F	250
LME 350 B5F	350
LME 400 B5F	400
LME 500 B5F	500



Tank mounting
pattern possibilities:

- 1" BSP thread
- nr. 3 holes (a)
- nr. 2 holes (b)

