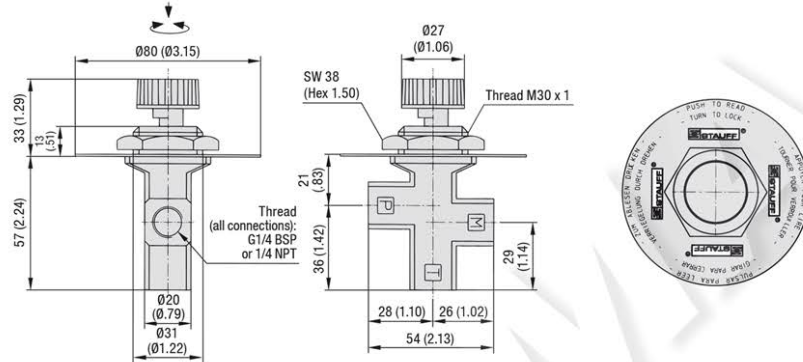


Part number:

Gauge Isolator Valves

Dimensions / Technical Data / Order Codes

Gauge Isolator Valve - Type SWS-S1 (Single Station)



Characteristics

Effective protection of pressure gauges against overload caused by pressure peaks

Features

- Suitable for panel installation
- Max. panel thickness of 5 mm / .20 in
- Fixed with hexagonal nut
- Push button to read and turn to lock
- Multilingual instructions printed on face plate

Media Compatibility

- Suitable for hydraulic fluids

Please consult STAUFF before using with other media.

Materials

- Body made of Cast Iron
- Spindle made of Steel
- Push / turn button made of Polyamide (PA)
- Face plate made of Aluminium
- O-rings made of NBR (Buna-N®)

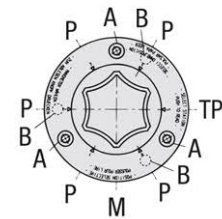
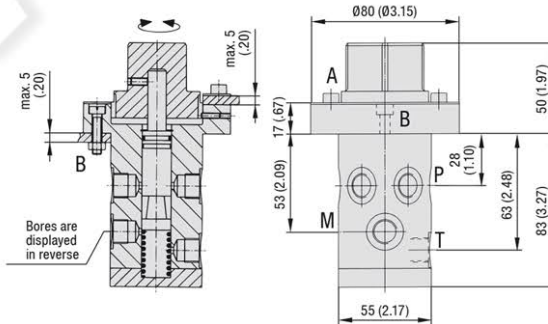
Technical Data

- Maximum working pressure: 400 bar / 5800 PSI
- Operating temperature range: -30°C ... +115°C / -22°F ... +239°F

Order Codes

| | | | | |
|----------------------------|---|------------|---|--------------------------|
| SWS | - | B04 | - | S1 |
| 1 | | 2 | | 3 |
| 1 Type | Gauge Isolator Valve | | | SWS |
| 2 Connection Thread | G1/4 BSP (for all connections) 1/4 NPT (for all connections) | | | B04 N04 |
| 3 Style | Single station | | | S1 |

Gauge Isolator Valve - Type SWS-M (Multi Station)



Mounting Bores ($\varnothing 6$ mm / .24 in)

- A** 3 bores, equally spaced (120°), BCD $\varnothing 65$ mm / 2.56 in
- B** 3 bores, equally spaced (120°), BCD $\varnothing 65$ mm / 2.56 in

Connections (G1/4 BSP or 7/16-20 UNF)

- P** 6 bores, equally spaced (60°)
- M** 1 bore
- T** 1 bore

Characteristics

Pressure measurement on six positions in the hydraulic circuit with only one pressure gauge

Features

- Suitable for bulkhead installation
- Max. panel thickness of 5 mm / .20 in
- Fixed with connection flange and screws: 3 hexagon head bolts M5 x 10 (DIN 933) for mounting the printed panel and 3 socket cap screws M5 x 25 (DIN 912) with washers (DIN 127) and nut (DIN 934) for panel installation included in delivery
- Turn button to select position of measurement
- Multilingual instructions printed on panel

Media Compatibility

- Suitable for hydraulic fluids

Please consult STAUFF before using with other media.

Materials

- Body made of Cast Iron
- Spindle made of Steel
- Push / turn button made of Polyamide (PA)
- Face plate and end cover made of Aluminium
- O-rings made of NBR (Buna-N®)

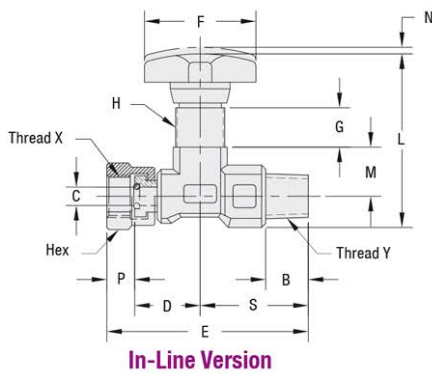
Technical Data

- Maximum working pressure: 400 bar / 5800 PSI
- Operating temperature range: -30°C ... +115°C / -22°F ... +239°F

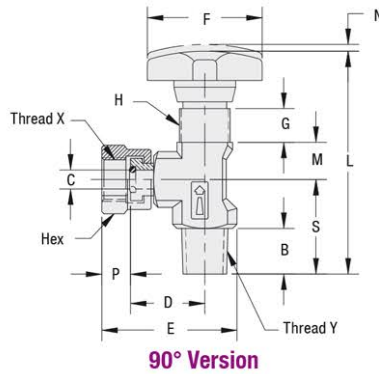
Order Codes

| | | | | |
|----------------------------|--|------------|---|--------------------------|
| SWS | - | B04 | - | M |
| 1 | | 2 | | 3 |
| 1 Type | Gauge Isolator Valve | | | SWS |
| 2 Connection Thread | G1/4 BSP for all connections 7/16-20 UNF (1/4" SAE) for all connections | | | B04 U04 |
| 3 Style | Multi station | | | M |

Gauge Isolator Needle Valve ▪ Types SWS-A1/A2 (Single Station)



In-Line Version



90° Version



Dimensions

| Type | Thread X (Female) | Thread Y (Male) | Dimensions (mm/in) | | | | | | | | | | | | | Weight (kg/lbs) |
|--------|---------------------|--------------------------|--------------------|-----|-----|------|------|-----|-------|------|-----|-----|-----|------|-----|-----------------|
| | | | B | C | D | E | F | G | H | L | M | N | P | S | Hex | |
| SWS-A1 | G1/4 BSP 1/4 NPT | 1/4 BSPT 1/4 NPT | 13 | 5,6 | 20 | 61,5 | 34 | 12 | M15x1 | 53 | 15 | 2 | 8,5 | 33 | 18 | 0,13 |
| | | 7/16-20UNF (1/4" SAE) | .51 | .22 | .78 | 2.42 | 1.34 | .47 | | 2.09 | .59 | .08 | .33 | 1.30 | .71 | .22 |
| SWS-A2 | G1/4 BSP 1/4 NPT | 1/4 BSPT 1/4 NPT | 13,5 | 5,6 | 22 | 40 | 34 | 10 | M15x1 | 66 | 11 | 2 | 8,5 | 28 | 18 | 0,11 |
| | | | .53 | .22 | .87 | 1.57 | 1.34 | .39 | | 2.60 | .43 | .08 | .33 | 1.10 | .71 | .44 |

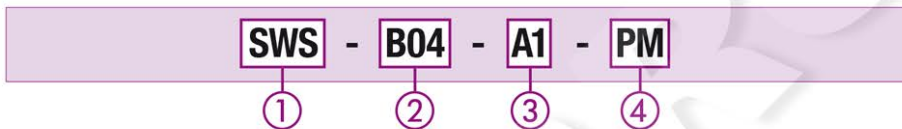
Characteristics

Effective protection of pressure gauges against overload caused by pressure peaks

Features

- Designed for in-line assembly (type A1) or 90° assembly (type A2) with female BSP / male BSPT, female NPT / male NPT or female NPT / male SAE threaded connections
- Panel mounting nuts available on request
- Rotating swivel nut allows for accurate orientation of the pressure gauge

Order Codes



1 Type

Gauge Isolator Valve **SWS**

2 Connection Threads

Female G1/4 BSP and Male 1/4 BSPT **B04**
 Female 1/4 NPT and Male 1/4 NPT **N04**
 Female 1/4 NPT and Male 7/16-20 UNF (1/4" SAE) (only available for in-line version) **S04**

3 Style

Single station, in-line version **A1**
 Single station, 90° version **A2**

4 Panel Mounting Kit

Without panel mounting kit (standard option) **-**
 With panel mounting kit **PM**

Materials

- Body made of Steel, zinc/nickel-coated (free of hexavalent chromium CrVI)
- Spindle made of Steel
- Hand-wheel made of Polyamide (PA)
- O-rings made of NBR (Buna-N®)
- Anti-extrusion ring made of PTFE

Consult STAUFF for alternative materials.

Technical Data

- Maximum working pressure: 400 bar / 5800 PSI (for all sizes)
- Operating temperature range: -20°C ... +100°C / -4°F ... +212°F

Pressure Gauges

Please see pages D4 to D11 of the **Diagtronics** section of this product catalogue for details on our full range of analog and digital pressure measurement equipment.

