

Part number:

**HYDROMA**  
HYDRAULICKÉ SYSTÉMY

**HIDROMA**  
SYSTEMS  
UKŁADY HYDRAULICZNE

**HYDROMA**  
ГИДРАВЛИЧЕСКИЕ СИСТЕМЫ

Pressure reducing, pilot operated spool type

Common cavity, Size 12

VRPP-12A

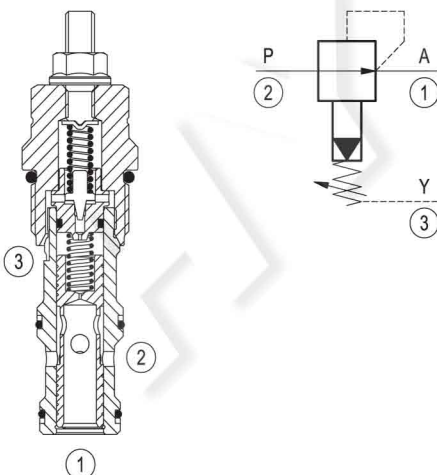
04.93.08 - X - 57 - Z



Technical data	
Max. operating pressure port 2 (P)	350 bar (5000 psi)
Max. pressure admitted port 1 (A)	280 bar (4000 psi)
Max. flow	100 l/min (26 gpm)
Standard internal pilot orifice diameter	0.6 mm
Fluid temperature range	-30 to 100 °C (-22 to 212 °F)
Installation torque	81 - 95 Nm (60 - 70 ft-lbs)
Weight	0.4 kg (0.88 lbs)
Cavity	CA-12A-3N
Lines bodies and standard assemblies	Please refer to section "Hydraulic integrated circuit" or consult factory
Seal kit <sup>1)</sup>	Code: RG12A3010520100 material no: R930000941
Fluids	Mineral-based or synthetics with lubricating properties at viscosities of 10 to 500 mm <sup>2</sup> /s (cSt)
Recommended degree of fluid contamination	Nominal value max. 10µm (NAS 8) / ISO 4406 19/17/14
Installation position	No restrictions
Other Technical Data	

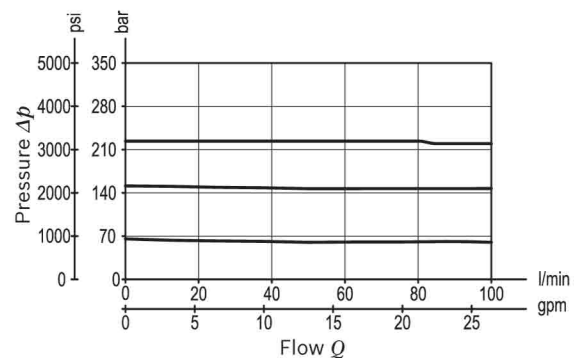
### Description

Initially, flow passes freely from 2 to 1. When the pressure at 1 exceeds the pressure setting, the valve acts to restrict input flow at 2. This increases the pressure drop through the valve and maintains consistent pressure at 1. The spring chamber is drained at 3 to prevent a build-up of back-pressure against the spool.



1) Only external seals for 10 valves

### Characteristic curve



**Ordering code**

<b>04.93.08</b>	<b>X</b>	<b>57</b>	<b>Z</b>	<b>00</b>	<b>*</b>
-----------------	----------	-----------	----------	-----------	----------

Pressure reducing,  
pilot operated spool type

Adjustments

**03** Leakproof hex. socket screw

**57** Common cavity, Size 12

Series O/A to L  
unchanged performances and dimensions

Version and options standard

SPRINGS			
	Adj. press. range bar (psi)	Pressure increase bar/turn (psi/turn)	Std. setting bar (psi) (reduc mode)
<b>10</b>	10-140 (145-2000)	48 (696)	100 (1450)
<b>20</b>	70-280 (1000-4000)	88 (1276)	200 (2900)
<b>35</b>	140-350 (2000-5000)	140 (2030)	280 (4000)

Note: Special settings available. Contact factory authorized representative for ordering code.

**Preferred types**

Type	Material number
049308035710000	R901109737
049308035720000	R901109738
049308035735000	R901109739

Type	Material number

**Dimensions**

