

Part number:

HYDROMA
HYDRAULICKÉ SYSTÉMY

HIDROMA
SYSTEMS
UKŁADY HYDRAULICZNE

HYDROMA
ГИДРАВЛИЧЕСКИЕ СИСТЕМЫ

Pressure reducing, pilot operated spool type

Common cavity, Size 10

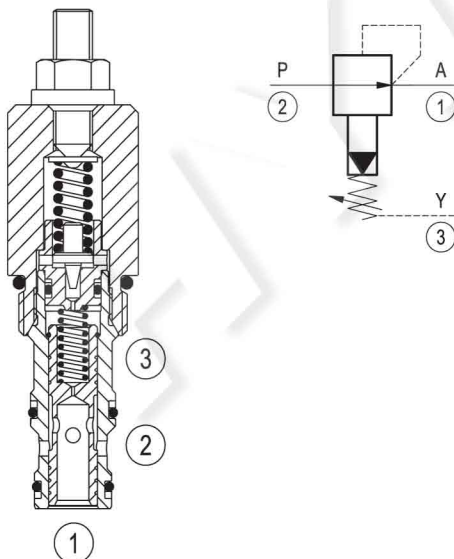
VRPP-10A

04.93.06 - X - 85 - Z



Description

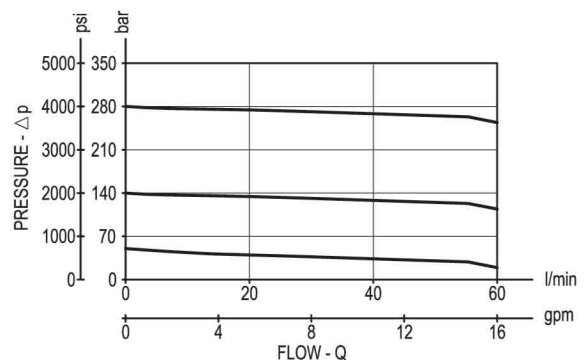
Initially, flow passes freely from 2 to 1. When the pressure at 1 exceeds the pressure setting, the valve acts to restrict input flow at 2. This increases the pressure drop through the valve and maintains consistent pressure at 1. The spring chamber is drained at 3 to prevent a build-up of back-pressure against the spool.



Technical data	
Max. operating pressure port 2 (P)	350 bar (5000 psi)
Max. pressure admitted port 1 (A)	280 bar (4000 psi)
Max. flow	60 l/min (16 gpm)
Standard internal pilot orifice diameter	0.6 mm
Fluid temperature range	-30 to 100 °C (-22 to 212 °F)
Installation torque	41 - 47 Nm (30 - 35 ft-lbs)
Weight	0.21 kg (0.46 lbs)
Cavity	CA-10A-3N (see data sheet 18325-70)
Lines bodies and standard assemblies	Please refer to section "Hydraulic integrated circuit" or consult factory
Seal kit ¹⁾	Code: RG10A3010520100 material no: R901111369
Fluids	Mineral-based or synthetics with lubricating properties at viscosities of 10 to 500 mm ² /s (cSt)
Recommended degree of fluid contamination	Nominal value max. 10µm (NAS 8) / ISO 4406 19/17/14
Installation position	No restrictions
Other Technical Data	See data sheet 18350-50

1) Only external seals for 10 valves

Characteristic curve



Ordering code

04.93.06	X	85	Z	00	*
-----------------	----------	-----------	----------	-----------	----------

Relief, pilot operated spool type

Adjustments

03 Leakproof hex. socket screw

04 Handknob and locknut

85 Common cavity, Size 10

Series 0/A to L
unchanged performances and dimensions

Version and options standard

		SPRINGS		
		Adj. press. range bar (psi)	Pressure increase bar/turn (psi/turn)	Std. setting bar (psi) (reduc mode)
for X= 03	10	35-140 (500-2000)	48 (696)	100 (1450)
	20	70-280 (1000-4000)	88 (1276)	200 (2900)
for X= 04	35	35-350 (500-5000)	68 (986)	280 (4000)

Note: Special settings available. Contact factory authorized representative for ordering code.

Preferred types

Type	Material number
049306038510000	R901104112
049306038520000	R901104113
049306048535000	R930005676

Type	Material number

Dimensions

