

Part number:

HYDROMA

HYDRAULICKÉ SYSTÉMY

HIDROMA
SISTEMS

UKŁADY HYDRAULICZNE

HYDROMA

ГИДРАВЛИЧЕСКИЕ СИСТЕМЫ

Cartridge Valves Technical Information

Solenoid valves EVH 06/A5

OPERATION

This is a normally-open, double-blocking poppet-type solenoid valve.

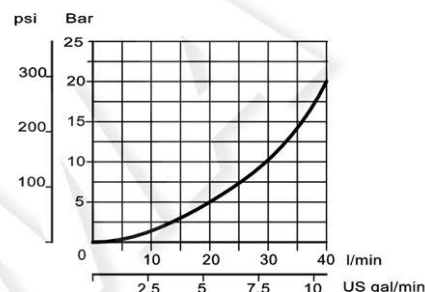
SPECIFICATIONS

Specifications

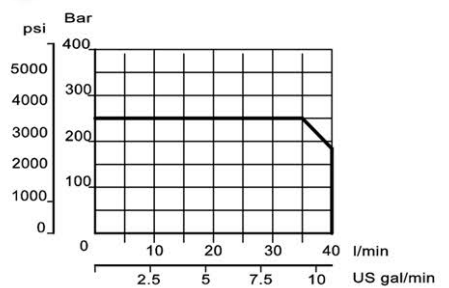
Rated pressure	230 bar [3300 psi]
Rated flow at 7 bar [100 psi]	25 l/min [7 US gal/min]
Weight	0.43 kg [0.95 lb]
Cavity	NCS06/2
Coil	M16 26 watt

Theoretical performance

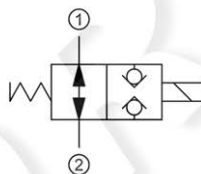
Pressure drop
26 cSt [121 SUS] hyd.oil at 50°C [122 °F]



Operating envelope
26 cSt [121 SUS] hyd.oil at 50°C [122 °F]



Schematic



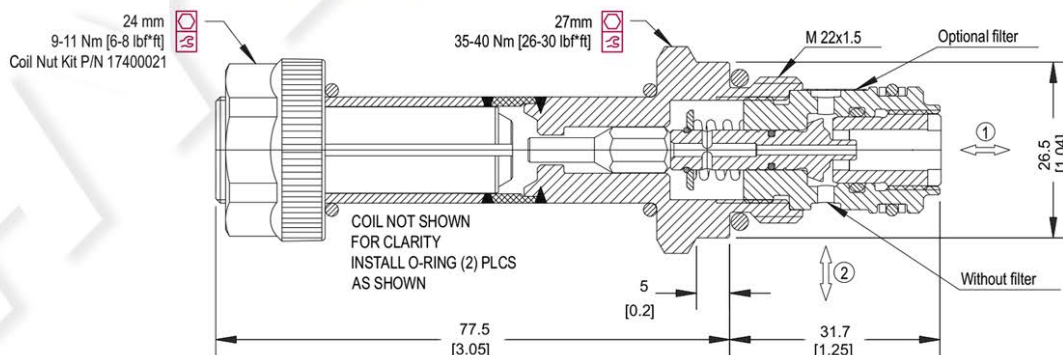
P103 535

P103 861E

DIMENSIONS

mm [in]

Cross-sectional view



P103 911E

ORDERING INFORMATION

EVH 06/A5 - F - 12C - A - 00 - V

Filter

Omit = No filter
F = 300 µm filter

Voltage

00 = No coil
12C = 12 VDC
24C = 24 VDC

Termination

00 = No connector
A = DIN 43650
AMS = AMP Superseal
AMJ = AMP Junior timer
DT04 = Deutsch
FL600 = Flying leads

Seals

B = Buna-N
V = Viton

Seal kit

230.00.044.0
230.00.071.0

Housing and ports

00 = No Housing
DG3/8 = Al, 3/8 BSP
DG1/2 = Al, 1/2 BSP
DG6S = Al, #6 SAE
DG8S = Al, #8 SAE
Other housings available

Housing P/N

No Housing
NCS06/2-DG-3/8
NCS06/2-DG-1/2
NCS06/2-DG-6S
NCS06/2-DG-8S

P103 849E

BLN-10201 • 520L0588 • Rev.B1 • February 2006