

Part number:

HYDROMA

HYDRAULICKÉ SYSTÉMY

**HIDROMA
SYSTEMS**

UKŁADY HYDRAULICZNE

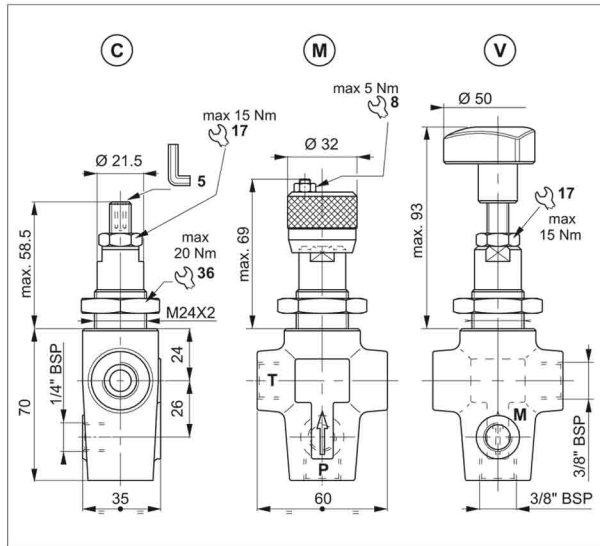
HYDROMA

ГИДРАВЛИЧЕСКИЕ СИСТЕМЫ

VMP10

phase-out

DIRECT ACTING PRESSURE RELIEF VALVES - IN-LINE MOUNTING



The direct acting relief valve with CMP10 cartridge limits the pressure in the hydraulic circuit.

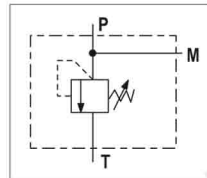
It raises the safety level by making it impossible for the plant operators to set a higher pressure rating, than that specified in the catalogue. This is limited by a pack spring with a mechanical stop, which prevents temporary P closures caused by pressure peaks.

It has a manganese phosphate coated cast iron body. The cartridge is in galvanized steel.

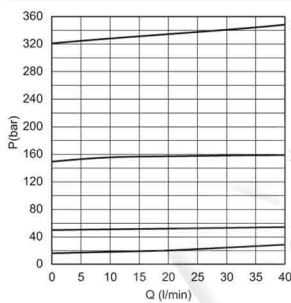
HYDRAULIC FEATURES

Max. working pressure	320 bar
Setting range:	
Spring 1 (orange)	max 15 bar
Spring 1 (white)	max 50 bar
Spring 2 (yellow)	max 150 bar
Spring 3 (green)	max 320 bar
Max. Flow	40 l/min
Hydraulic fluid	DIN 51524 Mineral oils
Fluid viscosity	10 ÷ 500 mm ² /s
Fluid temperature	-25°C ÷ 75°C
Ambient temperature	-25°C ÷ 60°C
Max. contamin. level class with filter	ISO 4406:1999 - class 19/17/14
Weight	0.8 kg

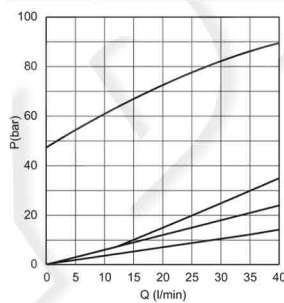
HYDRAULIC SYMBOL



PRESSURE-FLOW RATE



MIN. SETTING PRESSURE



0 = VMP10.0.. - 1 = VMP10.1.. - 2 = VMP10.2.. - 3 = VMP10.3..
 Fluid used: mineral based oil with viscosity 46 mm²/s at 40°C.

The minimum permissible setting pressure depending on the spring: see curves.

ORDERING CODE

