

Part number:

HYDROMA

HYDRAULICKÉ SYSTÉMY

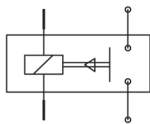
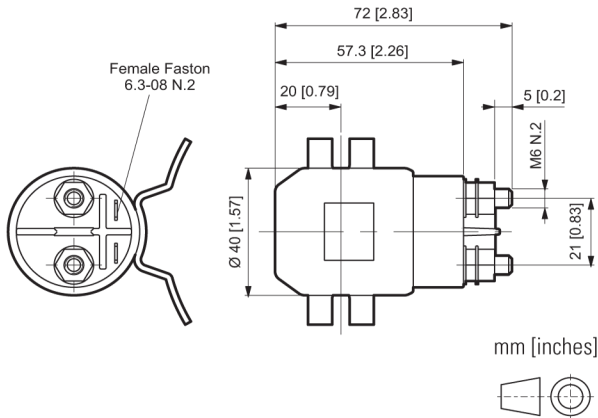
**HIDROMA
SYSTEMS**

UKŁADY HYDRAULICZNE

HYDROMA

ГИДРАВЛИЧЕСКИЕ СИСТЕМЫ

Starting switch: 120A



Wiring diagram

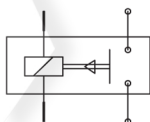
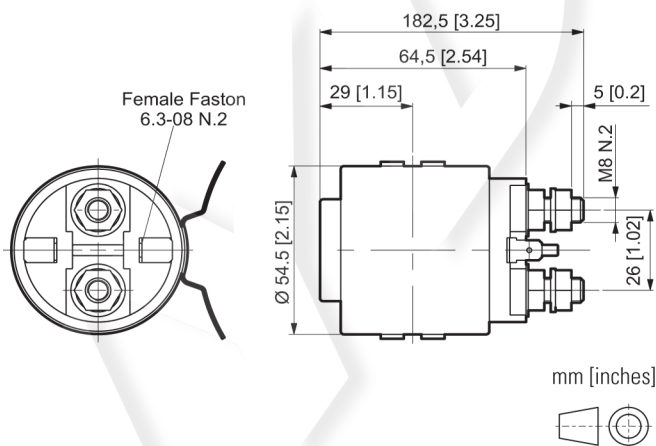
RATED FEATURES

Description	12 VDC	24 VDC
Min cut-on voltage	8.4 V @ 20°C 11 V @ 60°C	16.8 V @ 20°C 23 V @ 60°C
Rated voltage	12 VDC	24 VDC
Cut off voltage	0.6 ÷ 4 VDC	1.2 ÷ 8 VDC
Current consumption	1.9 ± 0.2 A	0.8 ± 0.1 A
Operating temperature range	-20 ÷ +60 °C	-20 ÷ +60 °C
Vibration specification	9 g	9 g
Rated Current	120 A	120 A
Coil short time duty	S2 = 15 min	S2 = 20 min
Protection degree	IP 67	IP 67
Weight	290 gr [0.69 lb]	320 gr [0.71 lb]

ORDERING CODE

Motor type	Code (12 VDC)	Code (24 VDC)
D. 80 fixing with clamp	KIT07012.027	KIT07012.032
D. 115 fixing with clamp	KIT07012.033	KIT07012.034
D. 115 fixing with screws	KIT07012.025	KIT07012.026

Starting switch: 150A



Wiring diagram

RATED FEATURES

Description	24 VDC
Min cut-on voltage	16.8 V @ 20°C 23 V @ 60°C
Rated voltage	24 VDC
Cut off voltage	1.2 ÷ 8 VDC
Current consumption	1.1 ± 0.1 A
Operating temperature range	-30 ÷ +60 °C
Vibration specification	9 g
Rated Current	150 A
Coil short time duty	S3= 10% @ 350A
Protection degree	IP 54
Weight	690 gr [1.52 lb]

ORDERING CODE

Motor type	Code (24 VDC)
D. 125 fixing with screws	KIT07012.019