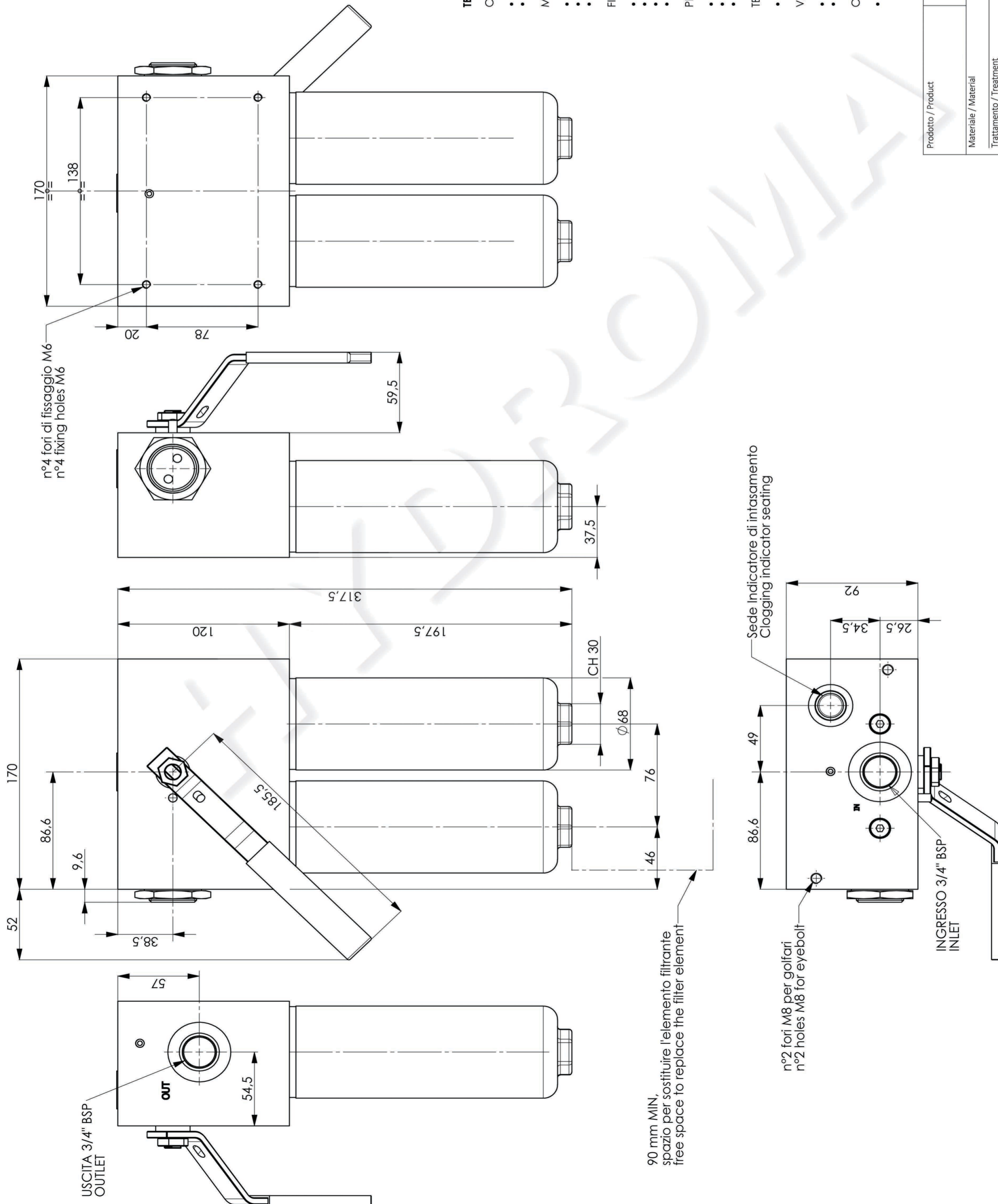


Part number:

Questo disegno è di proprietà della PLANET FILTERS S.p.A. che tutela i propri diritti a termine di legge. / This drawing is under property of PLANET FILTERS S.p.A. joint-stock corporation that protect the own rights by the law.



TECHNICAL DATA.

CONNECTIONS

- Inlet: 3/4" BSP
- Outlet: 3/4" BSP

MATERIALS

- Body: Cast iron
- Bowl: Steel
- Seals: NBR 70Sh. A ±5

FILTER ELEMENT CHARACTERISTIC

- Oil Flow: From: External / To: Internal
- Filter Media: Fiber 12 µm (C) B ≥ 1000 ISO 16889
- Filter Area: 1639 cm²
- Collapse Pressure: Min. Δp 210 bar (21 MPa)

PRESSURE

- Working Pressure: 31.5 bar (3.15 MPa) ISO 4548-6
- Test Pressure: 470 bar (47 MPa) ISO 4548-6
- Burst Pressure: 945 bar (94.5 MPa) ISO 4548-6

TEMPERATURE (ISO 2943)

- Working Temperature: From: -25 °C / To: +110 °C

VALVES

- nr. 1 ball change-over
- nr. 2 no-return, 1 for each element filter

COMPATIBILITY (ISO 2943)

- Full with fluids: HH-HL-HM-HV-HTG (according to ISO 6743/4)

Prodotto / Product		Nome / Name		Data / Date		Denominazione / Denomination	
Materiale / Material		Carrara M.		08/05/2017		DUPLEX FILTERS / FILTRI DUPLEX	
Trattamento / Treatment		Zorzi A.		08/05/2017		N. Disegno / Drawing No.	
		Zorzi A.		08/05/2017		P52-15-13	
		TOLLERANZE GENERALI / GENERAL TOLERANCE		Peso / Weight		Scala / Table	
		Secondo / As per: ISO 2768-mk		---		1:2	
				Sostituito da: / Replaced by:		1/1	