

Part number:

**HYDROMA**

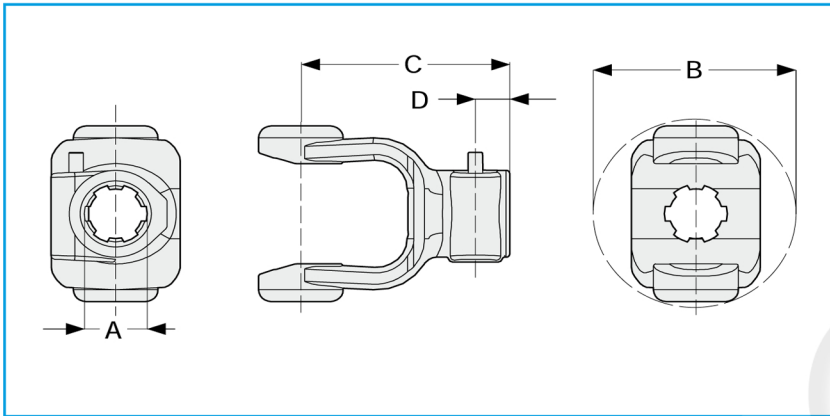
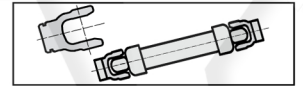
HYDRAULICKÉ SYSTÉMY

**HIDROMA  
SYSTEMS**

UKŁADY HYDRAULICZNE

**HYDROMA**

ГИДРАВЛИЧЕСКИЕ СИСТЕМЫ

**PULSANTE  
PUSH-PIN**

Type	Ref.	A	B		C		D		Code
			[mm]	[inch]	[mm]	[inch]	[mm]	[inch]	
10	112	1 3/8" Z 6	73	2 7/8"	90	3 35/64"	19	3/4"	141.021.001.1
	113	1 3/8" Z 21	73	2 7/8"	90	3 35/64"	19	3/4"	141.021.002.1
	PZ8	32 UNI 221	73	2 7/8"	90	3 35/64"	19	3/4"	141.021.264.1
20	112	1 3/8" Z 6	80	3 5/32"	99	3 57/64"	19	3/4"	141.022.001.1
	113	1 3/8" Z 21	80	3 5/32"	99	3 57/64"	19	3/4"	141.022.002.1
	PZ8	32 UNI 221	80	3 5/32"	99	3 57/64"	19	3/4"	141.022.449.1
40	112	1 3/8" Z 6	94	3 45/64"	107	4 7/32"	19	3/4"	141.024.001.1
	113	1 3/8" Z 21	94	3 45/64"	107	4 7/32"	19	3/4"	141.024.002.1
	PZ8	32 UNI 221	94	3 45/64"	107	4 7/32"	19	3/4"	141.024.266.1
50	112	1 3/8" Z 6	100	3 15/16"	109	4 19/64"	19	3/4"	141.025.001.1
	113	1 3/8" Z 21	100	3 15/16"	109	4 19/64"	19	3/4"	141.025.002.1
	PZ8	32 UNI 221	100	3 15/16"	109	4 19/64"	19	3/4"	141.025.414.1
60	112	1 3/8" Z 6	115	4 17/32"	116	4 9/16"	19	3/4"	141.026.001.1
	113	1 3/8" Z 21	115	4 17/32"	116	4 9/16"	19	3/4"	141.026.002.1
	PZ8	32 UNI 221	115	4 17/32"	116	4 9/16"	19	3/4"	141.026.199.1
	114	1 3/4" Z 6	115	4 17/32"	124	4 7/8"	24	7/8"	141.026.003.1
	115	1 3/4" Z 20	115	4 17/32"	124	4 7/8"	24	7/8"	141.026.008.1
80	112	1 3/8" Z 6	132	5 13/64"	124	4 7/8"	19	3/4"	141.028.001.1
	113	1 3/8" Z 21	132	5 13/64"	124	4 7/8"	19	3/4"	141.028.002.1
	PZ8	32 UNI 221	132	5 13/64"	124	4 7/8"	19	3/4"	141.028.146.1
	114	1 3/4" Z 6	132	5 13/64"	128	5 3/64"	24	7/8"	141.028.003.1
	115	1 3/4" Z 20	132	5 13/64"	128	5 3/64"	24	7/8"	141.028.004.1
90	112	1 3/8" Z 6	137	5 25/64"	133	5 15/64"	24	7/8"	141.029.039.1
	113	1 3/8" Z 21	137	5 25/64"	133	5 15/64"	24	7/8"	141.029.040.1
	PZ8	32 UNI 221	137	5 25/64"	133	5 15/64"	24	7/8"	141.029.373.1
	114	1 3/4" Z 6	137	5 25/64"	133	5 15/64"	24	7/8"	141.029.057.1
	115	1 3/4" Z 20	137	5 25/64"	133	5 15/64"	24	7/8"	141.029.058.1