

Part number:

**HYDROMA**

HYDRAULICKÉ SYSTÉMY

**HIDROMA  
SISTEMS**

UKŁADY HYDRAULICZNE

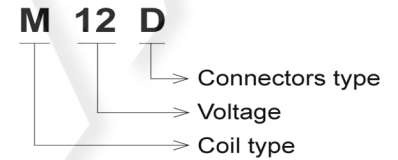
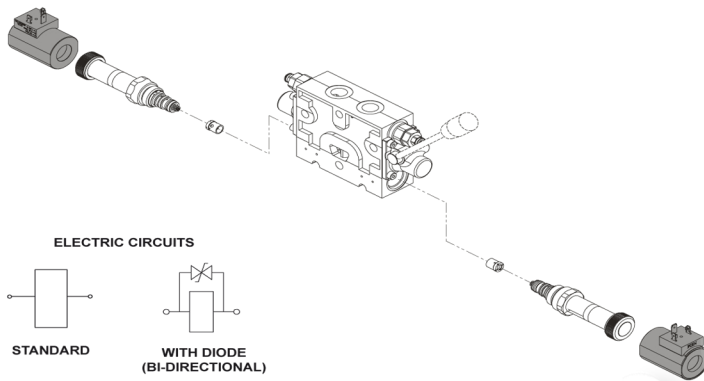
**HYDROMA**

ГИДРАВЛИЧЕСКИЕ СИСТЕМЫ

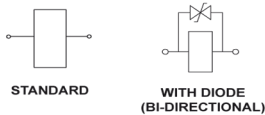
**NVD2**

Work section

**5. Coil**



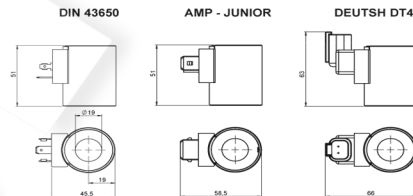
ELECTRIC CIRCUITS



**Proportional coil**

Available only for proportional electro-hydraulic control valve

Wire insulation class	H(>185 °C)
ED	100%
Coil power at 20 °C	36 W
Max current at 24 Vdc	0,9 A
Max current at 12 Vdc	1,8 A
PWM	120 Hz
Ambient temperature	-20 +40 °C
Weight	0,28 Kg

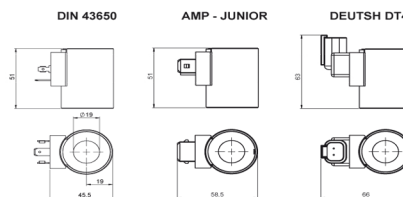


Order code	Connector	Protection class	Coil thermal insulation class	Voltage [V]	Resistance [Ω]	Circuit	NEM code
<b>M12D</b>	DIN 43650	IP65	H	12	3,9	STANDARD	<b>095001191</b>
<b>M24D</b>				24	14,5		<b>095002191</b>
<b>M12S</b>	DEUTSCH DT4	IP67	H	12	3,9	STANDARD	<b>095011190</b>
<b>M24S</b>				24	14,5		<b>095102190</b>
<b>M12A</b>	AMP - JUNIOR	IP67	H	12	3,9	STANDARD	<b>095201190</b>
<b>M24A</b>				24	14,5		<b>095202190</b>

**On-off coil**

Available only for on-off electro-hydraulic control valve

Wire insulation class	H(>185 °C)
ED	100%
Coil power at 20 °C	24 W
Ambient temperature	-20 +40 °C
Weight	0,28 Kg



Order code	Connector	Protection class	Coil thermal insulation class	Voltage [V]	Resistance [Ω]	Circuit	NEM code
<b>C12D</b>	DIN 43650	IP65	H	12	6,8	STANDARD	<b>098011190</b>
<b>C24D</b>				24	24		<b>098012190</b>
<b>C12S</b>	DEUTSCH DT4	IP67	F	12	6,8	WITH DIODE	<b>098111190</b>
<b>C24S</b>				24	24		<b>098112190</b>
<b>C12A</b>	AMP - JUNIOR	IP65	F	12	6,8	WITH DIODE	<b>098211190</b>
<b>C24A</b>				24	24		<b>098212190</b>