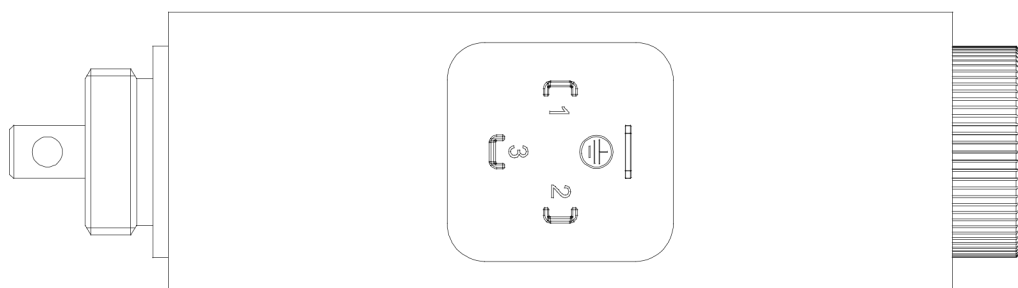


1

2

3

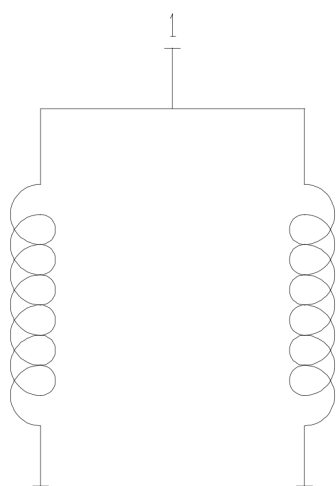
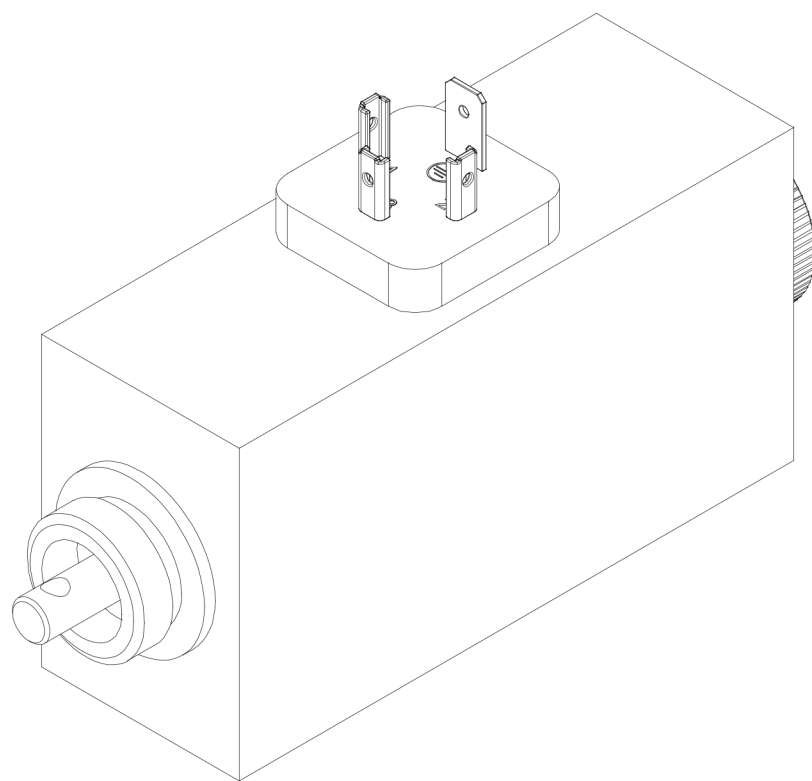
4



V=12 VDC
I=5A
P=60W

1: společný
2: směr "A"
3: směr "B"

1: common
2: side "A"
3: side "B"



2 (flow on port A) 3 (flow on port B)

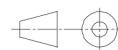
ISTRUZIONI MONTAGGIO
Assembly Instructions

ISTRUZIONI COLLAUDO
Testing Instructions

ASSEMBLY: GRUPPO CANOTTO+BOBINA 12VDC - 2x37 DALVA

Group:

Scale



Approv.

Date

Prototype

PC

01/01/1980

Designer:

Date

CODE

Mod.

MG

08/11/2010

413171207

0

01/01/1980