

Part number:

HYDROMA

HYDRAULICKÉ SYSTÉMY

**HIDROMA
SYSTEMS**

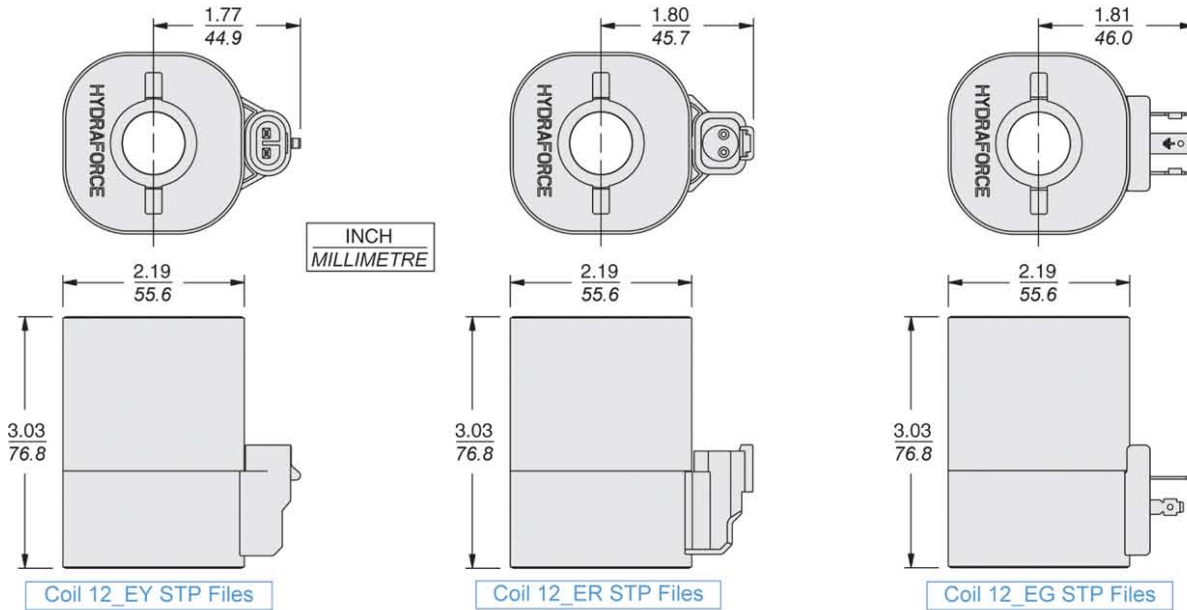
UKŁADY HYDRAULICZNE

HYDROMA

ГИДРАВЛИЧЕСКИЕ СИСТЕМЫ

Series E Environmental Coils

12-SIZE SERIES E COILS (For 12 Size Spool Valves Only)



EY

IP69K Rated 12-Size Coil
Thermal Shock Dunk Test Rated
Metri-Pack® 150 Connector

Mating Connector:
Delphi Packard No. 12052641
HF Part No. 6110119

ER

IP69K Rated 12-Size Coil
Thermal Shock Dunk Test Rated
Deutsch DT04-2P Connector

Mating Connector:
Deutsch No. DT06-2S — HF Part No. 4001417

EG

IP65 Rated 12-Size Coil
DIN 43650 Connector
Can be IP67 rated if used with
sealed mating connector
and gasket

EY Coil Part No.	EY/Z* Coil Part No.	ER Coil Part No.	ER/Z* Coil Part No.	EG Coil Part No.	Operating Voltage	Resistance at 20°C	Initial Current Draw	Power	Coil Weight
6964012	4302206	4301212	4305512	6956012	12 VDC	4.6 ohms	2.6 amps	31.1 watts	1 kg. (2.2 lbs.)
6964024	4302207	4301224	4305524	6956024	24 VDC	18.3 ohms	1.3 amps	31.0 watts	1 kg. (2.2 lbs.)

* Models with Zener Diode

