

Part number:

HYDROMA

HYDRAULICKÉ SYSTÉMY








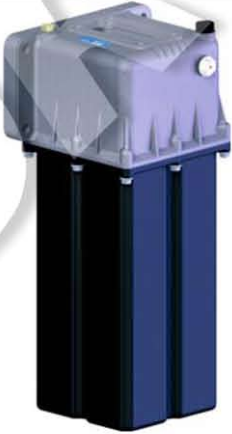


**HIDROMA
SYSTEMS**

UKŁADY HYDRAULICZNE

HYDROMA

ГИДРАВЛИЧЕСКИЕ СИСТЕМЫ

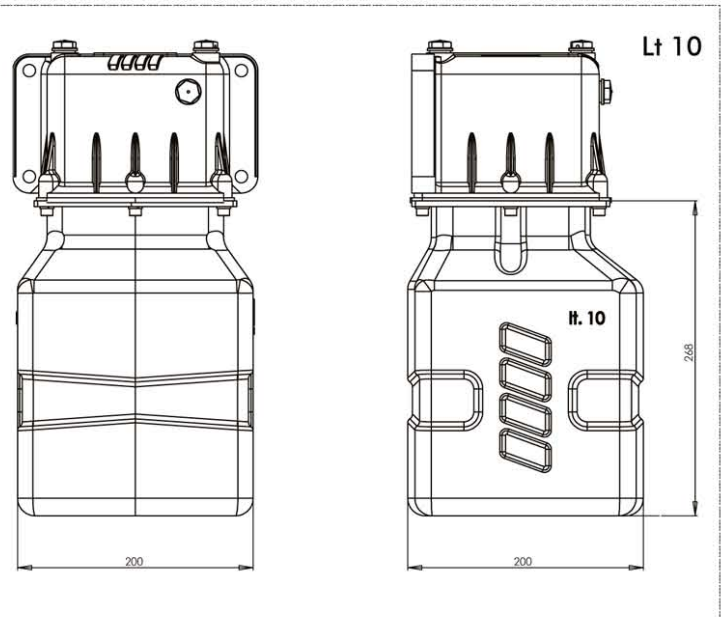
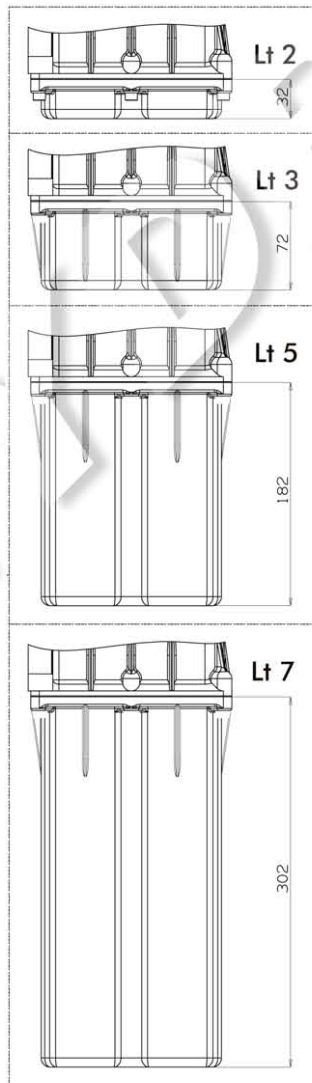
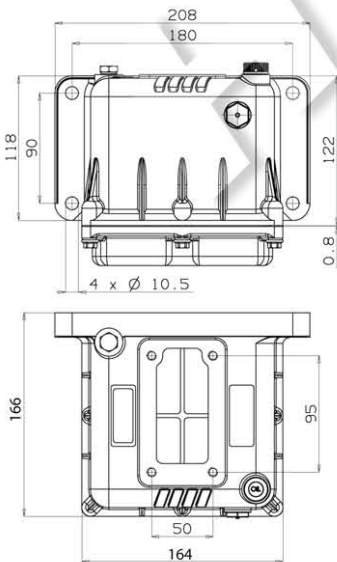
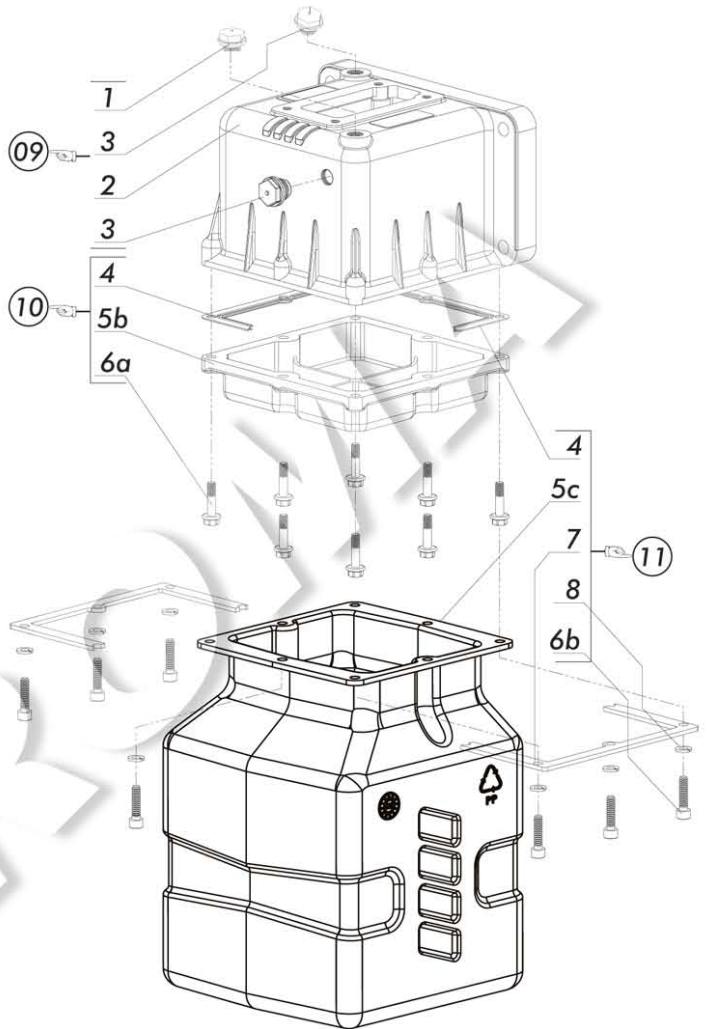
"FULCRO"CODICE FAMIGLIA
FAMILY CODE**106-800****GRUPPO SERBATOI COMPLETI
CON VASCA IN PLASTICA O ALLUMINIO
PLASTIC OR ALUMINIUM TANK ASSEMBLY****SERBATO
TANKS**

Serbatoio da 1 litro in alluminio. 1 litre tank in aluminium.		Serbatoio da 2 litri in: 2 litres tank:		Serbatoio da 3 litri in: 3 litres tank:	
		Plastica Plastic	Alluminio Aluminium	Plastica Plastic	Alluminio Aluminium
					
Serbatoio da 5 litri in: 5 litres tank:		Serbatoio da 7 litri in plastica 7 litres plastic tank		Serbatoio da 10 litri in: 10 litres tank:	
Plastica Plastic	Alluminio Aluminium			Plastica Plastic	Alluminio Aluminium
					

MATERIALE SERBATOIO TANK'S MATERIAL	CODICE DI ORDINAZIONE ORDER CODE	CAPACITÀ CAPACITY	DESCRIZIONE DESCRIPTION	PESO WEIGHT
PLASTICA PLASTIC	106-800-00025	2	SRB. CMP.PM S/2/ TANK 2 LT	1,8
	106-800-00034	3	SRB. CMP.PM S/3/ TANK 3 LT	1,9
	106-800-00043	5	SRB. CMP.PM S/5/ TANK 5 LT	2
	106-800-00052	7	SRB. CMP.PM S/7/ TANK 7 LT	2,4
	106-800-00061	10	SRB. CMP.PM S/10/ TANK 10 LT	2,9
ALLUMINIO ALUMINIUM	106-800-00105	1	SRB. CMP.PM S/1/ TANK 1 LT	
	106-800-00203	2	SRB. CMP.PM S/2/ TANK 2 LT	1,9
	106-800-00301	3	SRB. CMP.PM S/3/ TANK 3 LT	2
	106-800-00507	5	SRB. CMP.PM S/5/ TANK 5 LT	2,5
	106-800-01006	10	SRB. CMP.PM S/10/ TANK 10 LT	5,2

SCHEMA RICAMBIO SERBATOI PLASTICA
PLASTIC TANKS SPARE PARTS

N° N°	Serbatoio l / tank					Codice P. Number	Q. Q.
	2	3	5	7	10		
1	•	•	•	•	•	509-005-00131	1
2	•	•	•	•	•	514-003-00089	1
3	•	•	•	•	•	509-006-00121	2
4	•	•	•	•	•	506-000-00463	1
					•	506-000-01435	1
5a	•					514-003-00070	1
	•					514-008-00020	1
5b		•				514-008-00039	1
			•			514-008-00057	1
				•		514-008-00075	1
5c					•	514-009-10107	1
6a	•	•	•	•		502-002-10207	8
6b					•	502-002-00478	8
7					•	538-000-00331	2
8					•	501-024-00063	8
KIT RICAMBIO / KIT'S							
9	•	•	•	•	•	106-800-01015	
	•					106-800-01024	
10		•				106-800-01033	
			•			106-800-01051	
				•		106-800-01060	
11					•	106-800-01097	



SCHEMA RICAMBIO SERBATOIO ALLUMINIO
ALUMINIUM TANKS SPARE PARTS

N° N°	Serbatoio I / tank					Codice P. Number	Q. Q.
	1	2	3	5	10		
1	•	•	•	•	•	509-005-00131	1
2		•	•	•	•	514-003-00089	1
3	•	•	•	•	•	509-006-00121	2
4	•					502-000-00872	10
5	•					509-000-00912	1
6	•					506-000-02158	1
7		•	•	•	•	507-003-00182	1
8a	•					514-003-00105	1
		•				514-005-00069	1
8b			•			514-005-00078	1
				•		514-005-00087	1
8c					•	514-005-00050	1
9		•	•	•	•	502-002-00441	8
KIT RICAMBIO / KIT'S							
10	•					106-800-00105	
11		•	•	•	•	106-800-01015	
		•				106-800-02023	
12			•			106-800-02032	
				•		106-800-02050	
13					•	106-800-02103	

