

Part number:

HYDROMA

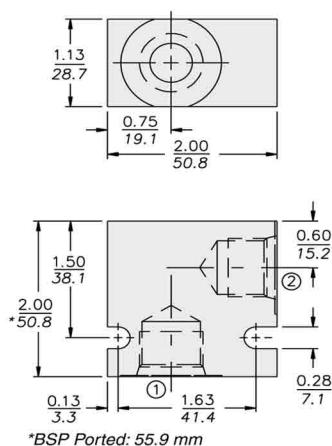
HYDRAULICKÉ SYSTÉMY

**HIDROMA
SYSTEMS**

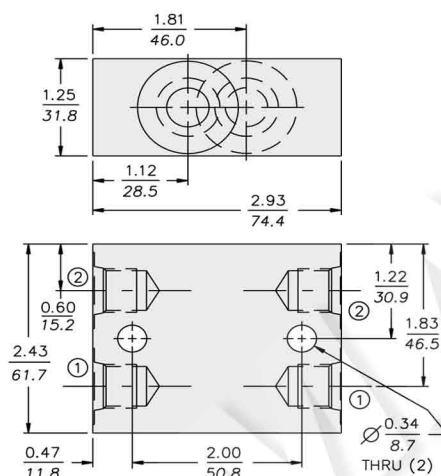
UKŁADY HYDRAULICZNE

HYDROMA

ГИДРАВЛИЧЕСКИЕ СИСТЕМЫ

HOUSINGS AND ACCESSORY PRODUCTS**Series 08 Valve Housings****2-WAY**

SAE 8 Ported Housing Illustrated

2 WAY CROSS-OVERINCH
MILLIMETRE

7070160 CRV Housing

SERIES 08 2-WAY HOUSINGS

Code	Part No.	Material	Port 1	Port 2	Mfg. Loc.
4T	7024640	Alum.	SAE 4	SAE 4	U.S.
5T	7024650	Alum.	SAE 5	SAE 5	U.S.
6T	7024660	Alum.	SAE 6	SAE 6	U.S.
8T	7024680	Alum.	SAE 8	SAE 8	U.S.
2B	7028620	Alum.	1/4" BSP	1/4" BSP	U.K.
3B	7028630	Alum.	3/8" BSP	3/8" BSP	U.K.
6TD	7151010	Ductile	SAE 6	SAE 6	U.S.
8TD	7151020	Ductile	SAE 8	SAE 8	U.S.
2BD	7151040	Ductile	1/4" BSP	1/4" BSP	U.K.
3BD	7151050	Ductile	3/8" BSP	3/8" BSP	U.K.
6TS	7026660	Steel	SAE 6	SAE 6	U.S.
8TS	7026680	Steel	SAE 8	SAE 8	U.S.
2BS	7026920	Steel	1/4" BSP	1/4" BSP	U.K.
3BS	7026930	Steel	3/8" BSP	3/8" BSP	U.K.

SERIES 08 2-WAY CROSS-OVER HOUSINGS

Code	Part No.	Material	Port 1	Port 2	Mfg. Loc.
6T	7070160	Alum.	SAE 6 (2)	SAE 6 (2)	U.S.

Note: Illustrations and dimensions shown on these pages are for Aluminum housings only. Ductile Iron and Steel housings are dimensionally different. Consult factory.

STANDARD VALVE HOUSINGS			
MATERIAL	OPERATING PRESSURE	PORTS	MFG. LOCATION
Aluminum, 6061 T6511, Clear Anodized	210 bar (3000 psi)	SAE	U.S.
Aluminum, 6082 TF, Gold Tint	210 bar (3000 psi)	BSP	U.K.
Ductile Iron,	350 bar (5000 psi)	SAE	U.S.
Ductile Iron,	350 bar (5000 psi)	BSP	U.K.
Steel, Low carbon	350 bar (5000 psi)	SAE	U.S.
Steel, 220 M 07, Zinc Plated	350 bar (5000 psi)	BSP	U.K.