

Part number:

**HYDROMA**

HYDRAULICKÉ SYSTÉMY

**HIDROMA  
SYSTEMS**

UKŁADY HYDRAULICZNE

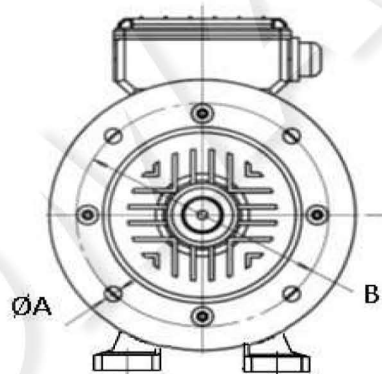
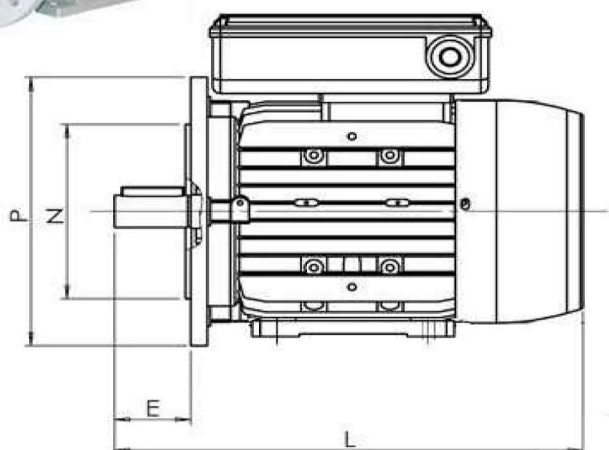
**HYDROMA**

ГИДРАВЛИЧЕСКИЕ СИСТЕМЫ

Electric motors single-phase current (220/50v)-1500 rpm - high starting torq

**Electrical motors H.T. single-phase with flange and legs (B3B5)**

Page: 1/1



Part n°	Voltage (V)	Shaft	Flange diam.	R.P.M.	POWER (HP)	ØA	B	E	L	N	P
<b>MEMAP0.33B3B5 H</b>	220/50	14		1500	0,37	10	130	30	255	110	160
<b>MEMAP0.5B3B5 H</b>	220/50	14		1500	0,5	10	130	30	255	110	160
<b>MEMAP0.75B3B5 H</b>	220/50	19		1500	0,75	12	165	40	290	130	200
<b>MEMAP1B3B5 H</b>	220/50	19		1500	1	12	165	40	290	130	200
<b>MEMAP1.5B3B5 H</b>	220/50	24		1500	1,5	12	165	50	335	130	200
<b>MEMAP2B3B5 H</b>	220/50	24		1500	2	12	165	50	365	130	200
<b>MEMAP3B3B5 H</b>	220/50	28	250	1500	3	15	215	60	398	180	250