

Part number:

HYDROMA

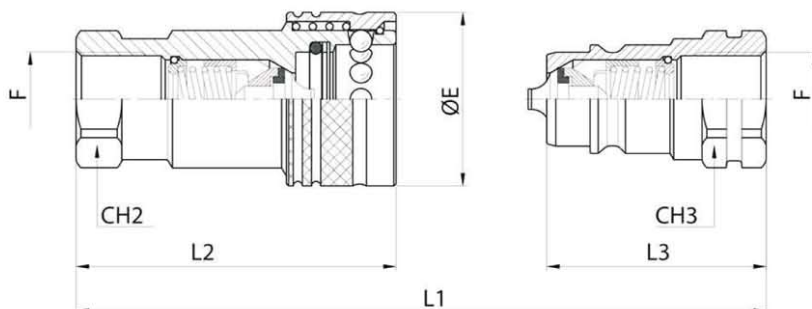
HYDRAULICKÉ SYSTÉMY

HIDROMA
SISTEMS

UKŁADY HYDRAULICZNE

HYDROMA

ГИДРАВЛИЧЕСКИЕ СИСТЕМЫ

PAV1 ACCIAIO - STEEL - STAHL - ACIER

DNP	BG	USA	ISO	CH2	CH3	øE	L1	L2	L3	F	COD. (F)	COD. (M)		
06	1	04	6.3	19	19	26	70	49	35	G 1/4	PAV1.0606.002	PAV1.0606.003		
										1/4 NPT	PAV1.0606.012	PAV1.0606.013		
										RC 1/4	PAV1.0606.042	PAV1.0606.043		
10	2	06	10	22	22	30	85	60.5	42.5	G 3/8	PAV1.1010.002	PAV1.1010.003		
										3/8 NPT	PAV1.1010.012	PAV1.1010.013		
										RC 3/8	PAV1.1010.042	PAV1.1010.043		
13	3	08	12.5	27	27	38	96	70	48	G 1/2	PAV1.1313.002	PAV1.1313.003		
										1/2 NPT	PAV1.1313.012	PAV1.1313.013		
										RC 1/2	PAV1.1313.042	PAV1.1313.043		
										M 22x1.5	PAV1.1322.102	PAV1.1322.103		
20	4	12	20	34	34	45	114	84.5	57	3/4 UNF	PAV1.1319.032	PAV4.1319.033		
										G 3/4	PAV1.2019.002	PAV1.2019.003		
										3/4 NPT	PAV1.2019.012	PAV1.2019.013		
25	5	16	25	41	41	52	131	99	65.5	RC 3/4	PAV1.2019.042	PAV1.2019.043		
										G 1	PAV1.2525.002	PAV1.2525.003		
										1 NPT	PAV1.2525.012	PAV1.2525.013		
30	6	20	31.5	50	50	70	150	117	75	RC 1	PAV1.2525.042	PAV1.2525.043		
										G 1 1/4	PAV1.3031.002	PAV1.3031.003		
										1 1/4 NPT	PAV1.3031.012	PAV1.3031.013		
39	7	24	40	60	60	82	167	133	84	RC 1 1/4	PAV1.3031.042	PAV1.3031.043		
										G 1 1/2	PAV1.3939.002	PAV1.3939.003		
										1 1/2 NPT	PAV1.3939.012	PAV1.3939.013		
50	8	32	50	75	75	99	216	169	108	RC 1 1/2	PAV1.3939.042	PAV1.3939.043		
										G 2	PAV1.5051.002	PAV1.5051.003		
										2 NPT	PAV1.5051.012	PAV1.5051.013		
												RC 2	PAV1.5051.042	PAV1.5051.043

CARATTERISTICHE TECNICHE

Materiali: acciaio zincato e passivato giallo con parti sollecitate carbonitrate o temprate ad induzione. **Guarnizioni:** standard in gomma nitrilica NBR. Disponibili su richiesta EPDM, FPM (Viton™) e CR (Neoprene). **Temperatura di esercizio:** con guarnizioni standard - 25°C + 125°C. **Antiextrusore:** in Teflon puro.

TECHNICAL INFORMATION

Materials: zinc-plated and yellow bichromated steel, with all high stressed components carbonitrided or hardened by induction. **Seals:** standard nitrile NBR. On request EPDM, FPM (Viton™) and CR (Neoprene) seals. **Working temperature:** with standard seals - 25°C + 125°C. **Back-up ring:** in pure Teflon.

TECHNISCHE MERKMALE

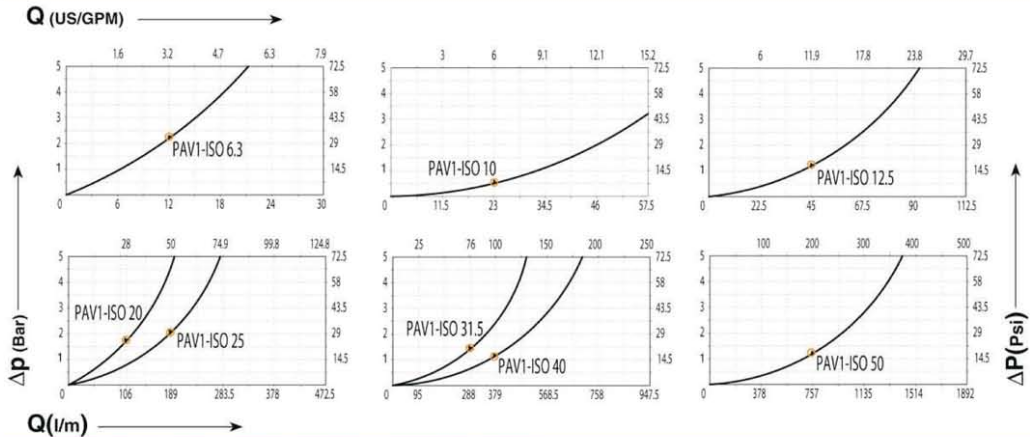
Werkstoff: hochfester Stahl verzinkt und gelb chromatiert mit verschleissbeanspruchten Komponenten carbonitriert oder induktivgehärtet. **Dichtungen:** aus Nitril NBR lieferbar. Andere Dichtungen auf Anfrage ebenfalls lieferbar. **Betriebstemperatur:** mit Standard-Dichtung - 25°C + 125°C. **Stützring:** aus rein Teflon.

CARACTERISTIQUES TECHNIQUES

Matériel: acier zingué et bichromaté jaune, tous les composants soumis à sollicitation carbonitrés ou trempés à induction. **Joints:** nitrile NBR en standard. Autres joints sur demande. **Température de service:** avec joints standard - 25°C + 125°C. **Bague anti-extrusion:** en Teflon pur.

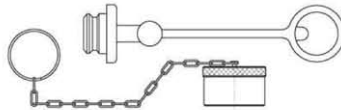
Dimensione nominale Nominal size Nennmass Dimension nominale				DN (mm)	Press. max d'esercizio Max working pressure Max Betriebsdruck Press. de service max (bar)	Portata nominale Rated flow Durchfluss Débit (l/m)	Pressione min di scoppio / Min burst pressure Min Berstdruck / Pression d'éclatement min			Spillaggio / Fluid spillage Überlustr / Écoulement (cc)
DNP	BG	USA	ISO				Maschio / Male Stecker / Mäle (bar)	Femmina / Female Muffe / Femelle (bar)	Innestato / Coupled Gekuppelt / Accouplé (bar)	
06	1	04	6.3	5	350	12	1510	1760	1450	0.5
10	2	06	10	9	350	23	1470	1520	1590	1.9
13	3	08	12.5	10.6	250	45	1000	1460	1240	2.7
20	4	12	20	15.7	250	106	900	1530	1040	9.3
25	5	16	25	17.3	200	189	1300	960	1300	16
30	6	20	31.5	22.8	200	288	1140	850	1090	30
39	7	24	40	30	190	379	810	790	820	54
50	8	32	50	37.6	160	757	650	960	1100	120

PERDITA DI CARICO / PRESSURE DROP / DRUCKVERLUST / DÉBIT DE PRESSION (Δp bar - l/m)



ACCESSORI / ACCESSORIES / ZUBEHÖR / ACCESSOIRES

DNP size	Tappo per femmina Female dust plug Staubstecker Bouchon pour fem.	Cappuccio per masc. Male dust cap Staubkappe Capuchon pour mâle	Colore Colour Farbe Couleur	Materiale Material Werkstoff Matériel	DNP size	Tappo per femmina Female dust plug Staubstecker Bouchon pour fem.	Cappuccio per masc. Male dust cap Staubkappe Capuchon pour mâle	Materiale Material Werkstoff Matériel
06	SPAV.06002	SPAV.06003	ROSSO / RED	POLYETHYLENE	13	SPAV.13202	SPAV.13203	ALUMINIUM
10	SPAV.10002	SPAV.10003	ROSSO / RED	PVC	30	SPAV.30202	SPAV.30203	ALUMINIUM
13	SPAV.13002	SPAV.13003	ROSSO / RED	PVC	39	SPAV.39202	SPAV.39203	ALUMINIUM
13	SPAV.13012	SPAV.13013	GIALLO / YELLOW	PVC	50	SPAV.50202	SPAV.50203	ALUMINIUM
13	SPAV.13022	SPAV.13023	VERDE / GREEN	PVC				
13	SPAV.13032	SPAV.13033	BLU / BLUE	PVC				
13	SPAV.13042	SPAV.13043	NERO / BLACK	PVC				
13	SPAV.13052	SPAV.13053	BIANCO / WHITE	PVC				
20	SPAV.20002	SPAV.20003	ROSSO / RED	PVC				
25	SPAV.25002	SPAV.25003	ROSSO / RED	POLYETHYLENE				



GUARNIZIONI DI RICAMBIO / SPARE PARTS / ERSATZDICHTUNGEN / JOINTS

DNP size	O-RING FEMMINA / FEMALE O-RING MUFFE O-RING / O-RING FEMELLE		DNP size	ANTIESTRUSORE FEMMINA / FEMALE BACK-UP RING MUFFE STÜTZRING / CONTRE-JOINT FEMELLE
06	PAV.006.120 NBR	VITON	PAV.006.120 N	NEOPRENE
10	PAV.010.120		PAV.010.120 N	
13	PAV.013.120		PAV.013.120 N	
20	PAV.019.120		PAV.019.120 N	
25	PAV.025.120		PAV.025.120 N	
30	PAV.030.120		PAV.030.120 N	
39	PAV.039.120		PAV.039.120 N	
50	PAV.050.120		PAV.050.120 N	
			PAV.006.130	PTFE
			PAV.010.130	
			PAV.013.130	
			PAV.019.130	
			PAV.025.130	
			PAV.030.130	
			PAV.039.130	
			PAV.050.130	