

Part number:

HYDROMA

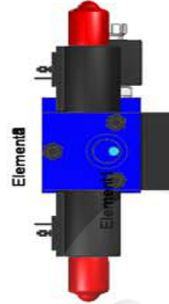
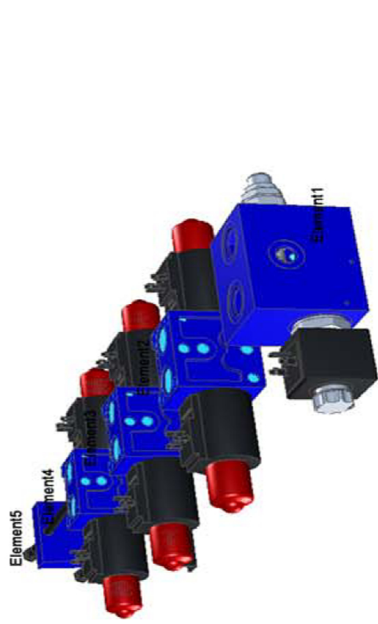
HYDRAULICKÉ SYSTÉMY

**HIDROMA
SISTEMS**

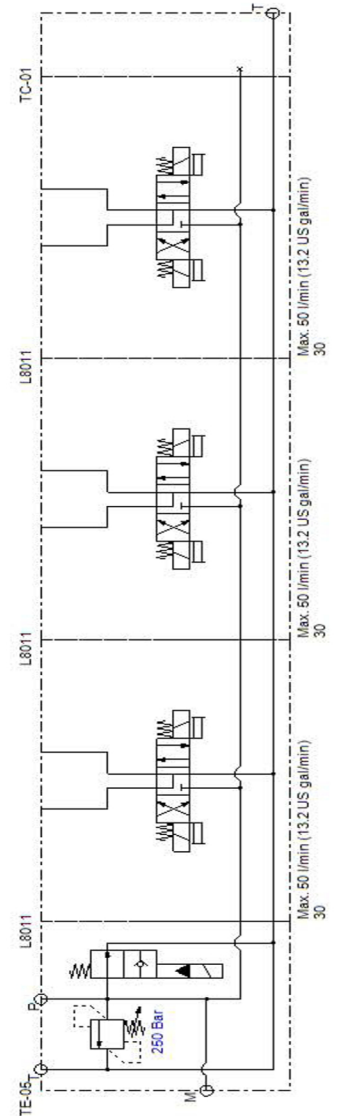
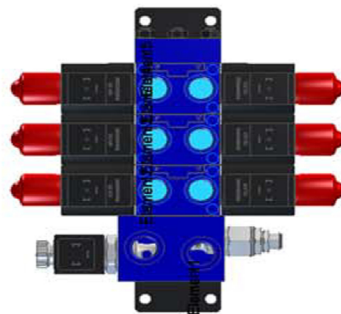
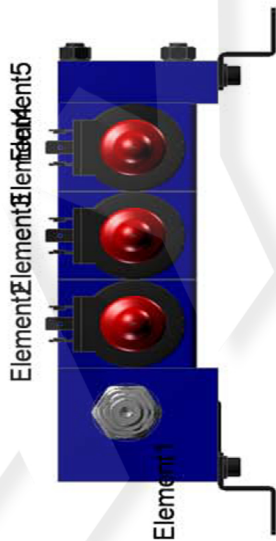
UKŁADY HYDRAULICZNE

HYDROMA

ГИДРАВЛИЧЕСКИЕ СИСТЕМЫ



Tightening torque for tie rod K-2203 17-23Nm
 Installation Torque for Solenoid valve OD1506171 BS
 54-66 Nm.



Estimated Weight: 16.5 Lb	Customer Name: Bosch Rexroth Oil Control	Compact Hydraulics
Project Number:		
Application: Car Lift	Function: Compensation Cylinder	