

Part number:

# Standard integrated circuit for single-acting cylinder

**RE 18332-50**

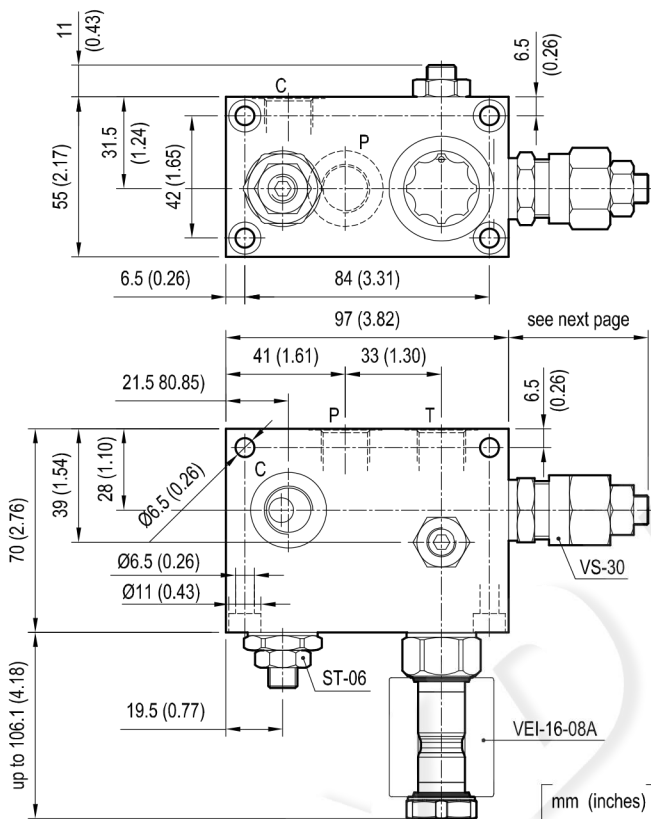
Edition: 12.2017

Replaces: 12.2016

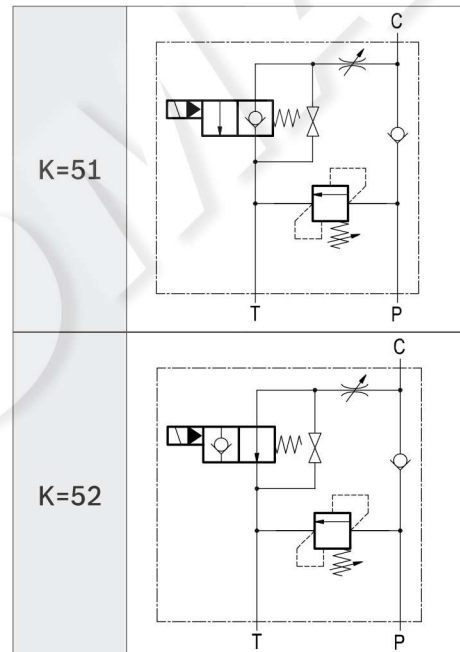
VEI-16-08A-VU-VS-ST-06

OL - K - Y - Z - X - W - 00

## Dimensions



## Configurations available (K)



## Technical data

Max. flow: up to 25 l/min (7 gpm)

Max. operating pressure: 210 bar (3000 psi)

Standard manifold in high strength aluminium.

For working pressure up to 350 bar (5000 psi) and for fatigue applications with any working pressure, steel manifolds are available upon request.

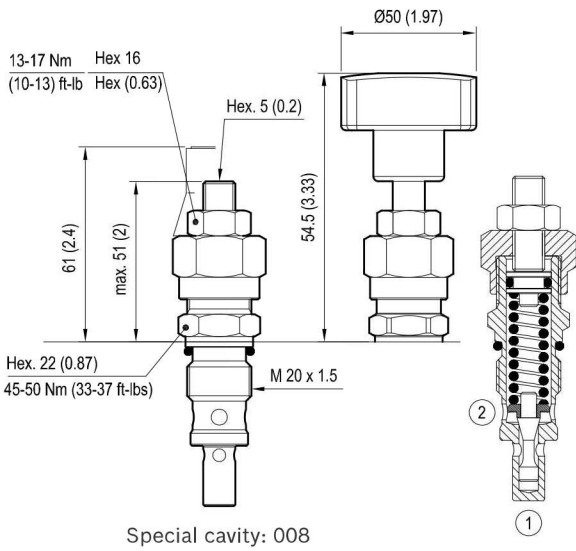
Weight: 1.3 kg (2.9 lbs)

Fluids: Mineral-based or synthetics with lubricating properties at viscosities of 20 to 380 mm<sup>2</sup>/s (cSt)

This integrated circuit contains one relief valve type VS-30 operating from P to T and one solenoid valve type VEI-16-08A

Other technical data See data sheet 18350-50

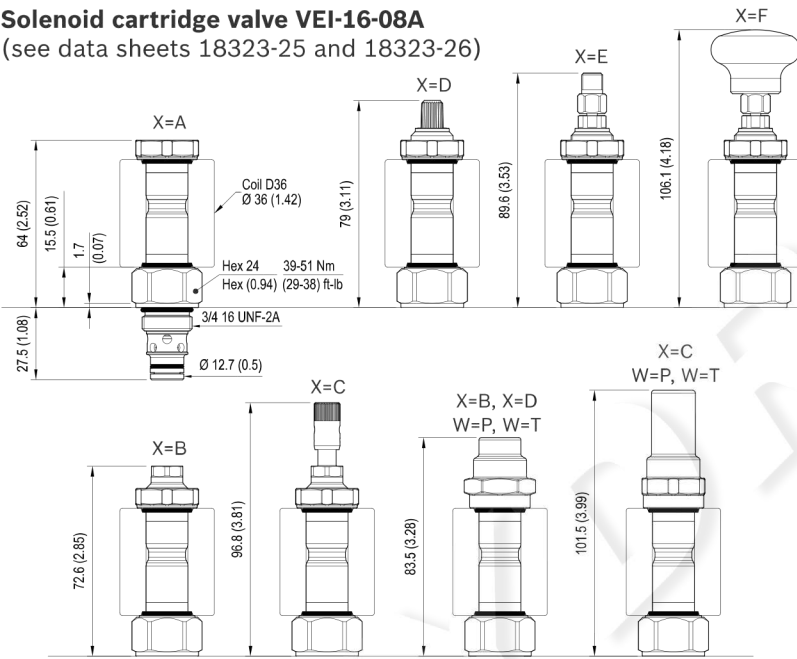
**Cartridge valve VS-30** (see data sheet 18318-23)



		VS-30 Setting		
		Adj. pressure range bar (psi)	Press. increase bar/turn (psi/turn)	Std. setting bar (psi) (Q=5 l/min)
	<b>04</b>	30-100 (435-1450)	24 (348)	100 (1450)
	<b>07</b>	50-210 (725-3000)	47 (682)	200 (2900)
	<b>10</b>	100-350 (1450-5000)	82 (1189)	350 (5000)
	<b>05</b>	30-100 (435-1450)	24 (348)	100 (1450)
	<b>08</b>	50-210 (725-3000)	47 (682)	200 (2900)
	<b>11</b>	100-350 (1450-5000)	82 (1189)	350 (5000)

ADJUSTMENTS		OPTIONS
Leakproof hex. socket screw		 Tamper resistant cap 11.04.23.003
Handknob and locknut		

**Solenoid cartridge valve VEI-16-08A**  
(see data sheets 18323-25 and 18323-26)



**Technical data**

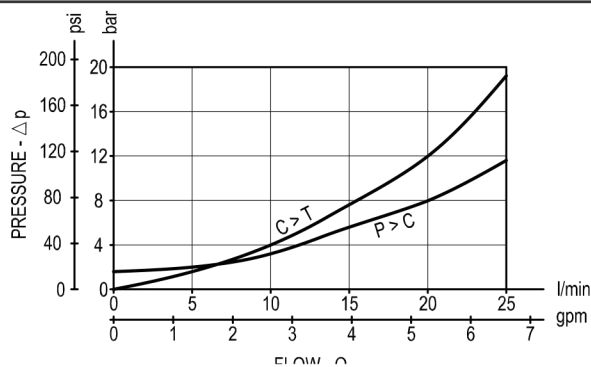
General	
Installation orientation	Unrestricted
Ambient temperature range	-30 to 90 °C (-22 to 194 °F)
Hydraulic	
Max. operating pressure	350 bar (5000 psi)
Flow range	0.5 - 40 l/min (0.1 - 11 gpm)
Max. internal leakage	5 drops/min.
Switching time	Opening ≤ 50 ms
	Closing ≤ 100 ms
Fluid temperature range	-20 to 80 °C (-4 to 176 °F)
Fluids:	Mineral-based or synthetics with lubricating properties at viscosities of 20 to 380 mm <sup>2</sup> /s (cSt)
Installation torque	39 - 51 Nm (29 - 38 ft-lbs)
Recommended degree of fluid contamination	Nominal value max. 10 µm (NAS 8) ISO 4406 19/17/14
MTTFd	150 years (see 18350-51)
Cavity	CA-08A-2N (see 18325-70)
Other technical data	See data sheet 18350-50
Electrical	
Type of voltage	DC voltage
Coil type	D36
Supply voltage	See data sheet 18325-90
Voltage tolerance against ambient temperature	See characteristic curve
Power consumption	20 W
Type of protection	See data sheet 18325-90
Note: Coils must be ordered separately	

**TAB. 1**

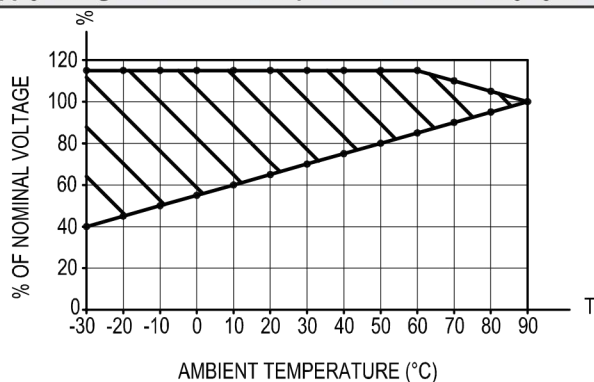
Manual override options (X)						
	A	B	C	D	E	F
<b>Seal and prot. cap. (W)</b>						
<b>O</b>	K=51 K=52	K=52	K=52	K=51	K=51	K=51
<b>V</b>	K=51 K=52	K=52	K=52	K=51	K=51	K=51
<b>P</b>	/	K=52	K=52	K=51	/	/
<b>T</b>	/	K=52	K=52	K=51	/	/

Characteristic curves

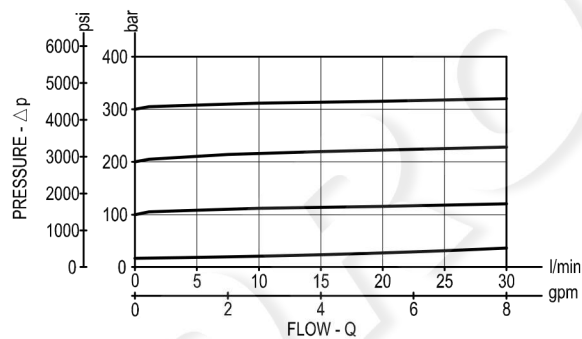
VEI-16-08A-VU-VS-ST-06 - all versions



VEI-16-08A all Versions - Admissible supply voltage Vs. Ambient temperature at 100% duty cycle



VS-30



Ordering code

<b>OL</b>	<b>K</b>	<b>Y</b>	<b>Z</b>	<b>X</b>	<b>W</b>	<b>00</b>
-----------	----------	----------	----------	----------	----------	-----------

Standard integrated circuit  
for single-acting cylinder

Configuration **K = 51**

Configuration **K = 52**

Ports size	P - T - C
------------	-----------

<b>= 09</b>	G 1/4
-------------	-------

<b>= 02</b>	G 3/8
-------------	-------

<b>= 03</b>	G 1/2
-------------	-------

<b>= 04</b>	G 3/4
-------------	-------

**Cartridge VS-30 setting**  
see page 2

**Solenoid cartridge seals and accessories options**

**O** = With buna seal

**V** = With Viton seal

**P** = With buna seal and protective cap for override version **B, C** and **D**

**T** = With Viton seal and protective cap for override version **B, C** and **D**

**Solenoid cartridge options**

**A** = Standard

**B** = Push style manual override

**C** = Push and twist style manual override

**D** = Knob style manual override

**E** = Pull style manual override

**F** = Hand operated pull style manual override

**Note:** for solutions availability (K-X-W combinations), please refer to TAB.1 on page 2.