

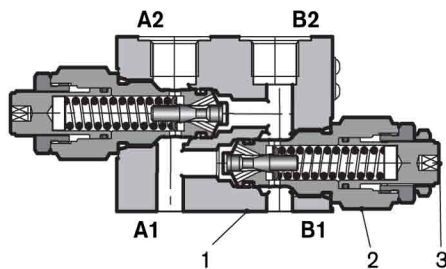
Part number:

Flangeable elements with secondary pressure relief valves single or double

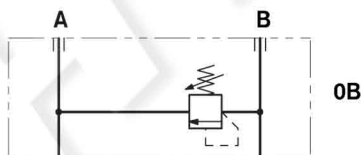
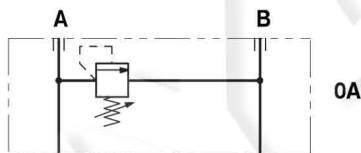
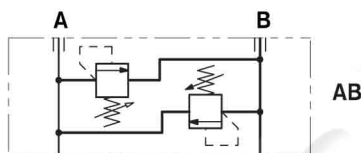
EDM-VM



DVI0022



HYDRAULIC - SYMBOL



Description

The secondary flangeable elements EDM-VM-__ can be interfaced and bolted on top of the A and B ports of the ED elements of the Directional Valve Assembly.

The body (1) is made of black anodized aluminium, and it incorporates one or two direct acting pressure relief valves (2), fitted with cross-over configuration: the relief valve for line A releases the oil into line B and viceversa

The maximum secondary pressure in line A, or B, can be adjusted through the adjuster screw (3).

Technical Data (for applications outside these parameters, please consult us)

General

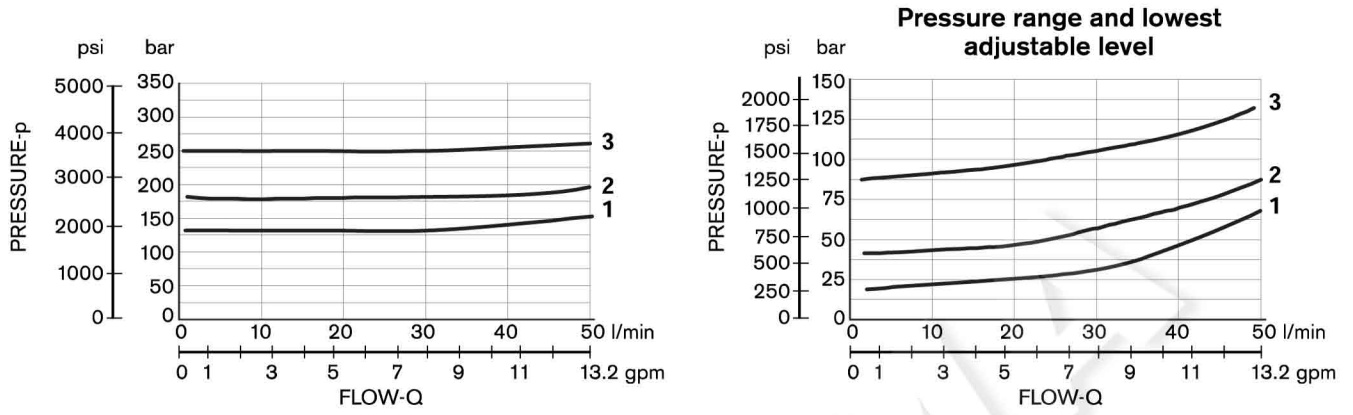
Weight EDM-VM-AB	kg [lbs]	0.79 [1.75]
Weight EDM-VM-0A (EDM-VM-0B)	kg [lbs]	0.61 [1.36]
Ambient Temperature	°C [°F]	-20....+50 [-4....+120]

Hydraulic

Maximum pressure	bar [psi]	250 [3625]
Maximum flow	l/min [gpm]	50 [13.2]
Hydraulic fluid	Mineral oil based hydraulic fluids HL (DIN 51524 part 1). Mineral oil based hydraulic fluids HLP (DIN 51524 part 2). For use of environmentally acceptable fluids (vegetable or polyglycol base) please consult us.	
Fluid temperature	°C [°F]	-20....+80 [-4....+176] (NBR seals)
Permissible degree of fluid contamination	ISO 4572: $\beta_x \geq 75$ X=12...15 ISO 4406: class 20/18/15 NAS 1638: class 9	
Viscosity range	mm ² /s	5....420

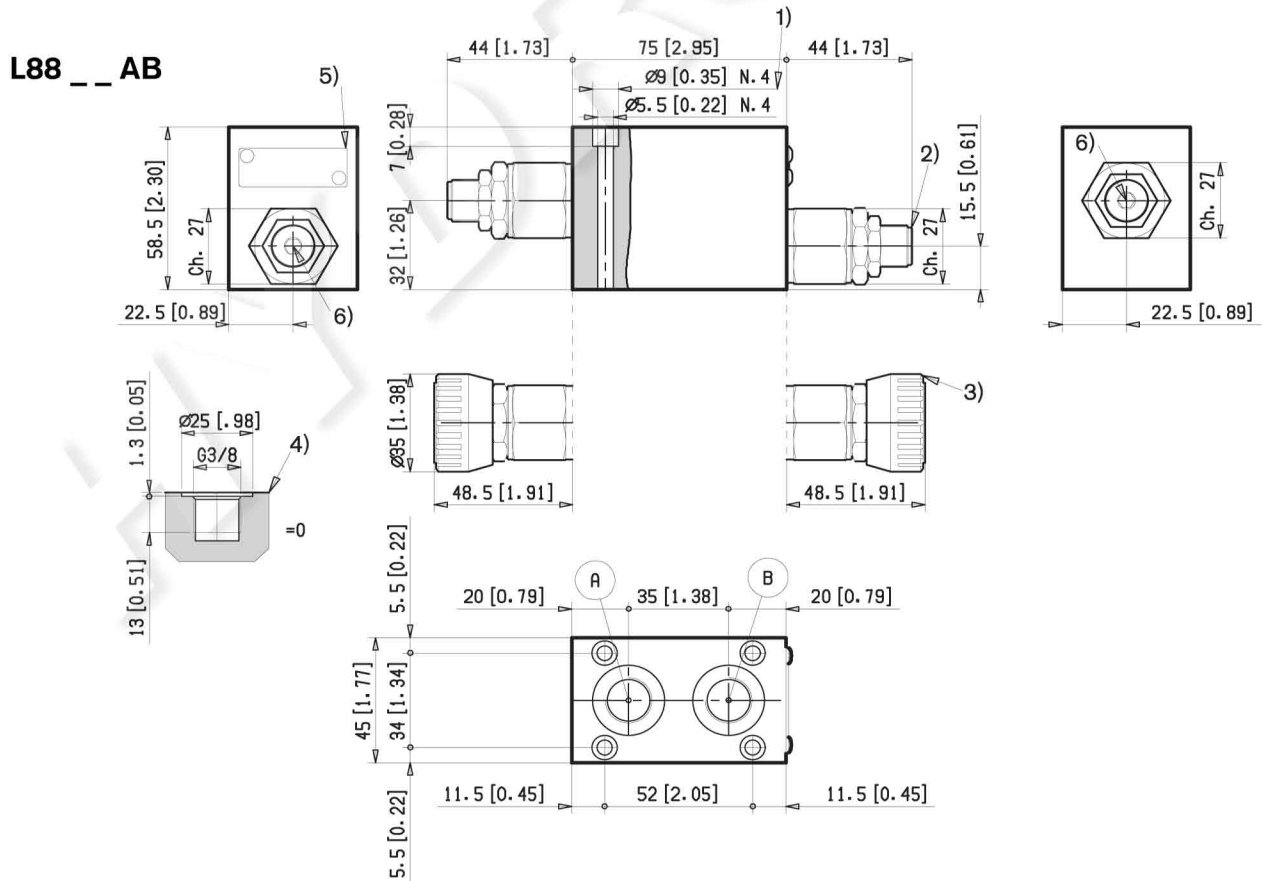
Characteristic curves

Measured with hydraulic fluid ISO-VG32 at $45^{\circ} \pm 5^{\circ} \text{ C}$ [$113^{\circ} \pm 9^{\circ} \text{ F}$]; ambient temperature 20° C [68° F].



Pressure range	Curve No.
N (25-120 bar) [360-1740psi]	1
B (40-200bar) [580-2900psi]	2
V (150-350 bar) [2175-5075psi]	3

External Dimensions and Fittings



Ordering Details

L		88		60		_ _ _ _		_ _		00		00	
Family Directional Valve element ED											Additional fixtures Standard		
Model Flangeable element secondary valves											Ports G 3/8 DIN 3852		
Type Secondary pressure relief											Pressure range N = 25-120 bar [360-1740 psi] B = 40-200 bar [580-2900 psi] V = 150-350 bar [2175-5075 psi]		
Configuration Pressure relief for both A and B ports Pressure relief for port A only Pressure relief for port B only											Pressure adjustment S = Relief cartridge with adjuster screw K = Relief cartridge with hand-knob		
											= 02AB = 020A = 020B		