

Part number:

HYDROMA

HYDRAULICKÉ SYSTÉMY

**HIDROMA
SYSTEMS**

UKŁADY HYDRAULICZNE

HYDROMA

ГИДРАВЛИЧЕСКИЕ СИСТЕМЫ

Non return valve integrated in SAE flange

NRV

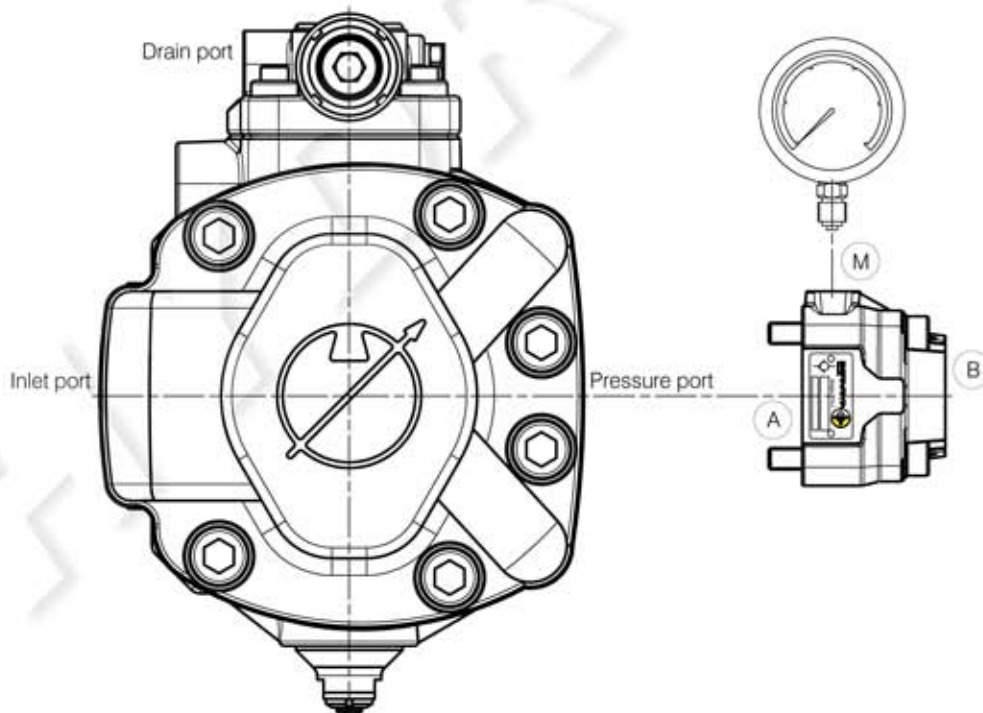
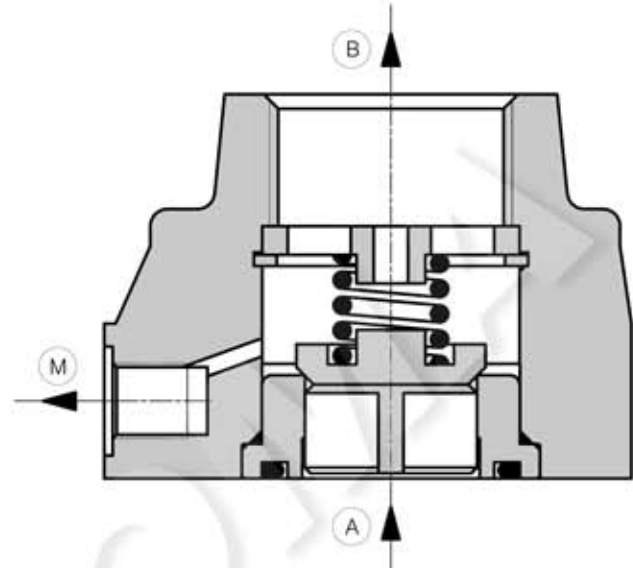
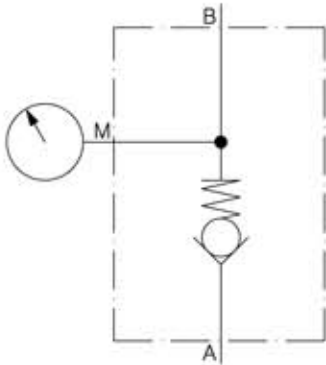


Series Name	Size	Flow rate [l/min]	Max. Pressure [bar]
01 NRV 2 L	1" SAE J518 3000 series DN25	250	300
01 NRV 3 L	1"1/4 SAE J518 3000 series DN32	350	300
01 NRV 2 H	1" SAE J518 6000 series DN25	250	420
01 NRV 3 H	1"1/4 SAE J518 6000 series DN32	350	420

General description

Berarma NRV non-return valves (check valves) are produced with SAE J518 (3000 series and 6000 series) configuration with Gas BSP threaded ports. The integration of valve and flange in the same body (with a port connection for circuit pressure reading) makes them easy and cheap their use. These valves are designed to be used on Berarma size 2 and size 3 pumps (only 3000 series), but thanks to their modular design they can be installed on any other system with SAE J518 configuration with 1" (NRV 2) or 1 1/4" (NRV 3) Gas BSP thread.

Hydraulic symbol



Ports

- (A) Inlet
- (B) Outlet
- (M) Pressure gauge

Technical data

Ordering code	01 NRV 2 L M PL	01 NRV 3 L M PL	01 NRV 2 H M PL	01 NRV 3 H M PL
Series	3000		6000	
Nominal size	DN 25	DN 32	DN 25	DN 32
Nominal flow rate (l/min)	250	350	250	350
Maximum working pressure (bar)	300		420	
Opening pressure (bar)	1			
Hydraulic fluid	hydraulic oil HM according to ISO 6743/4 + HLP according to DIN 51524/2 organic esters HFD-U according to ISO 6743/4 (Quintolubric 888) for other fluids contact Berarma technical sales service			
Viscosity range (cSt)	10 + 380			
Fluid temperature range (°C)	-10 + +80			
Weight (kg)	1.4	1.8	1.7	2.4
For different operating conditions, please contact Berarma technical sales service				

Ordering code

Series Name	Size	Series	Supplies	Pressure gauge port
01 NRV	3	L	M	PL

Code	Size	Thread
2	DN 25	1" Gas BSP
3	DN 32	1 1/4 Gas BSP

Code	Series	Max. pressure
L	Serie 3000	300 bar
H	Serie 6000	420 bar

Code	Supplies
M	Supplied with screws and NBR seals

Code	Pressure gauge port
PL	Circuit pressure after closing

Ordering code examples:

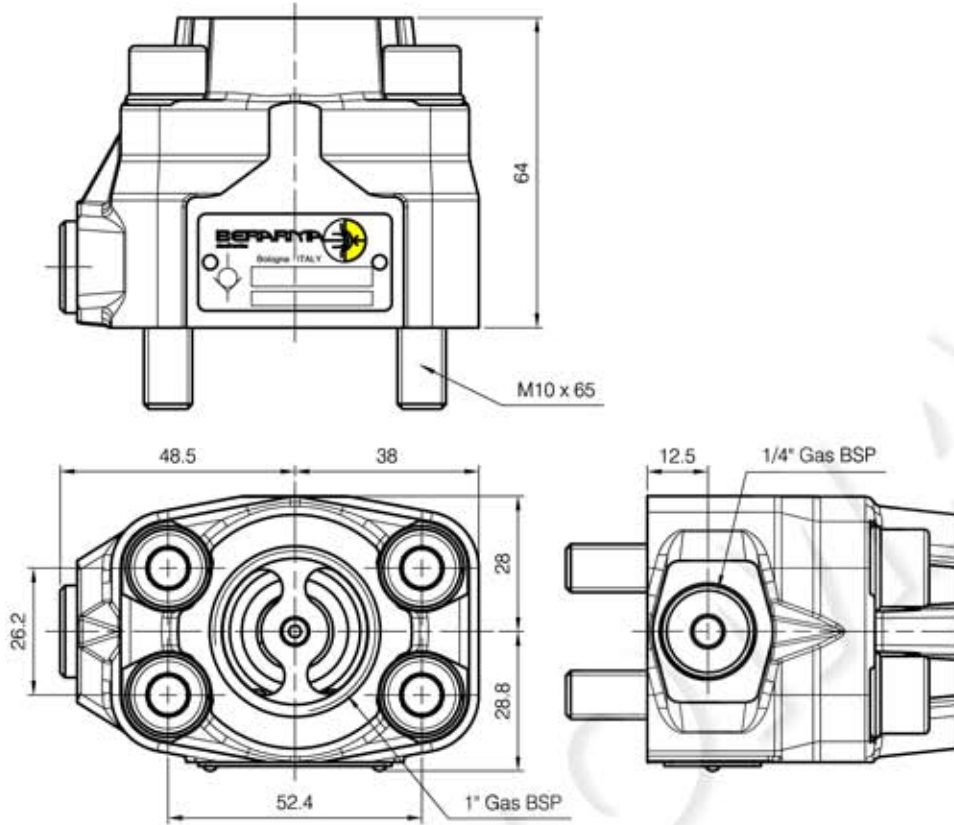
- 01 NRV 2 L M PL
- 01 NRV 3 L M PL
- 01 NRV 2 H M PL
- 01 NRV 3 H M PL

Warning

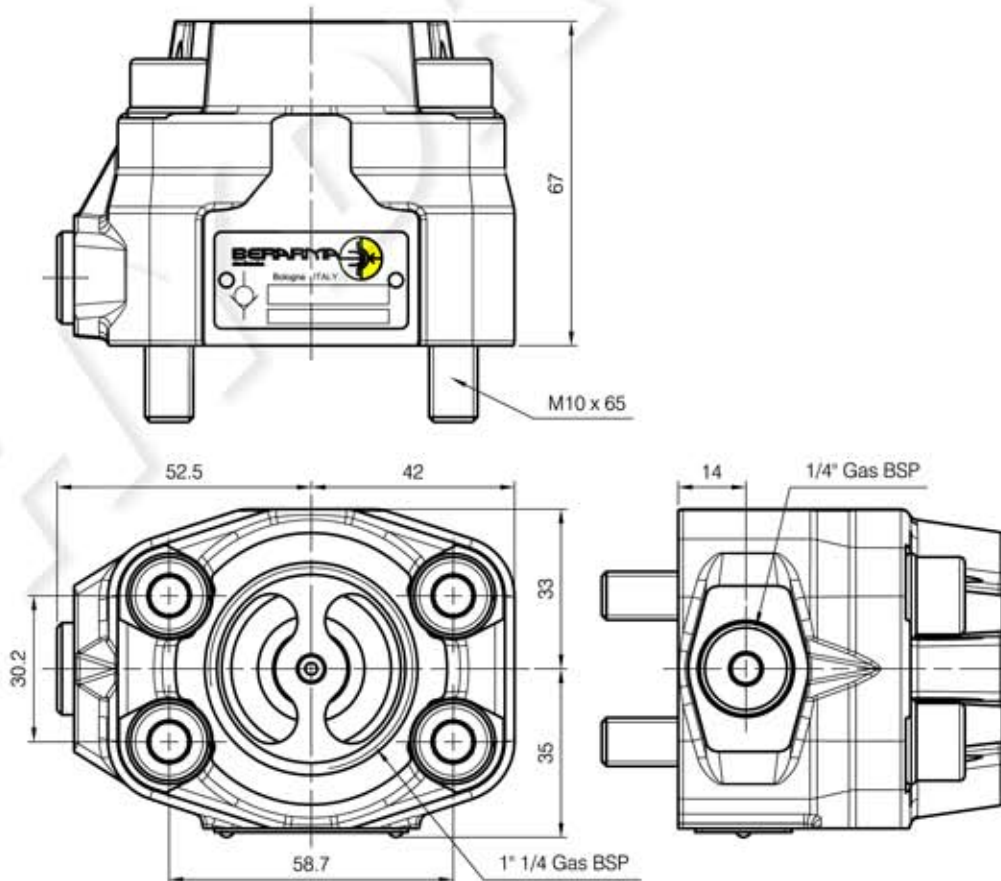
All Berarma products have been carefully checked during manufacture and subjected to testing cycles before shipment. Before selection and/or use of any Berarma product, it is important that the purchaser carefully analyses all aspects of its application and reviews the information in the current Berarma technical sales documents. Due to the many different operating conditions and applications for Berarma products, the purchaser, through their own analysis and testing, is solely responsible for making the final selection of the products and assuring that all performance and safety requirements are met. Berarma S.r.l. accepts no responsibility for any editing mistakes in this catalogue. Berarma S.r.l. reserves the right to modify the products and data contained in this catalogue at any time and without prior notice.

3000 series overall dimensions

01 NRV 2 L M PL



01 NRV 3 L M PL



6000 series overall dimensions

