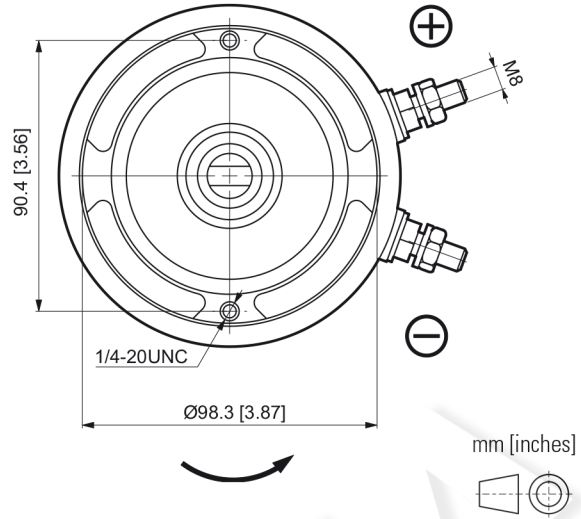
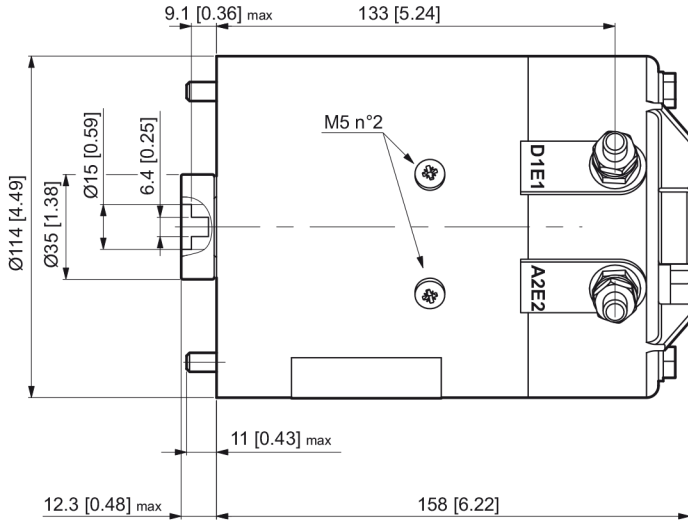


# 25021200

## 24 VDC - 2.2 KW - D.115 MOTOR



### RATED FEATURES

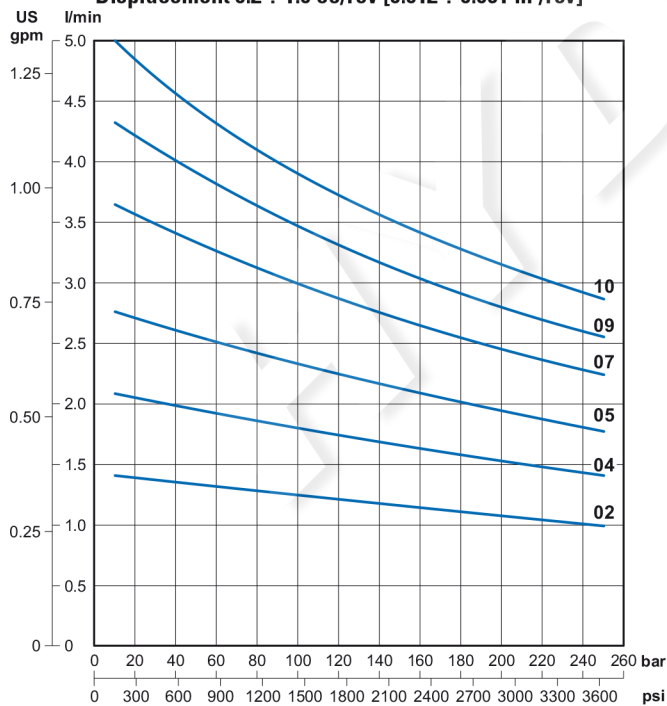
Voltage	24 VDC
Power	2.2 kW
Nominal diameter	115 mm [4.53 in]
Motor type	Wound field compound
Rotation	CCW
Protection class IP (with motor assembled on hydraulic power pack)	54
S2 / S3 duty service	see curves
Insulation class	F
Weight	6.7 kg [14.77 lb]

### PUMP TYPE

Code	cc/rev.	GR (Size)	Code	cc/rev.	GR (Size)
02	0.25	05	22	2.2	1
04	0.45	05	26	2.6	1
05	0.56	05	32	3.2	1
07	0.75	05/1	38	3.8	1
09	0.9	05/1	43	4.3	1
10	1.0	05/1	48	4.8	1
12	1.2	05/1	60	6.0	1
15	1.5	1	63	6.3	1
17	1.7	1	78	7.8	1
20	2.0	1			

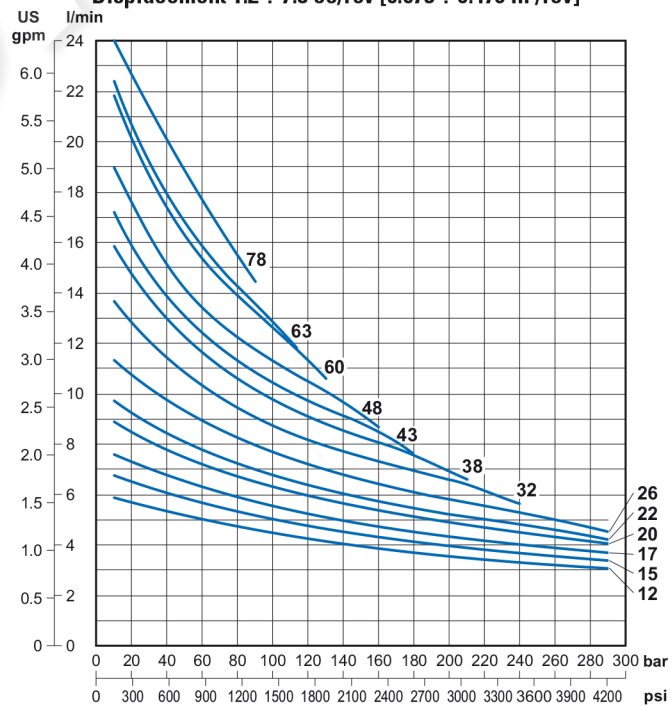
### Performance with GR05 / GR1 pumps

Displacement 0.2 ÷ 1.0 cc/rev [0.012 ÷ 0.061 in<sup>3</sup>/rev]



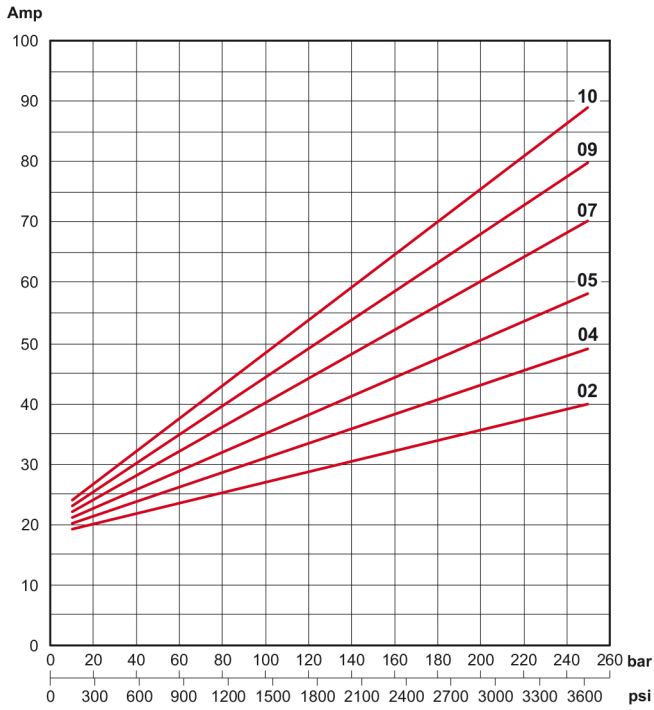
### Performance with GR05 / GR1 pumps

Displacement 1.2 ÷ 7.8 cc/rev [0.073 ÷ 0.476 in<sup>3</sup>/rev]

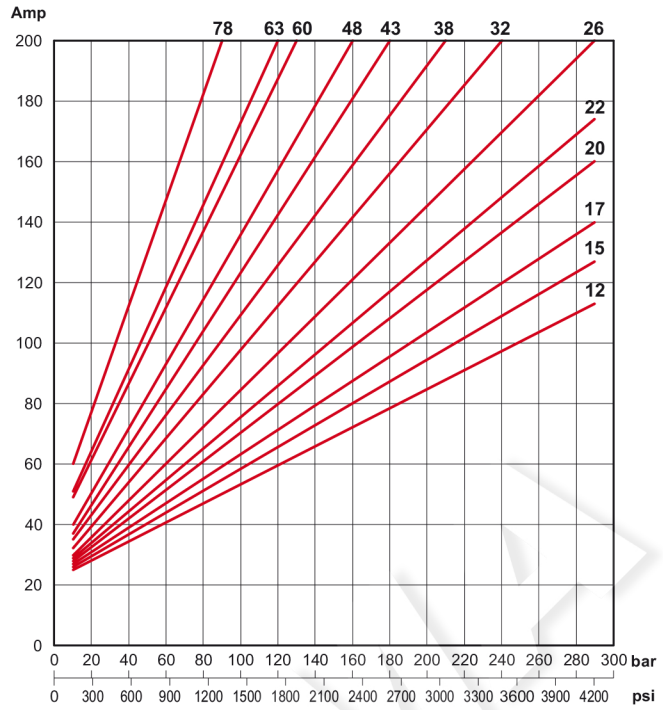


# 25021200

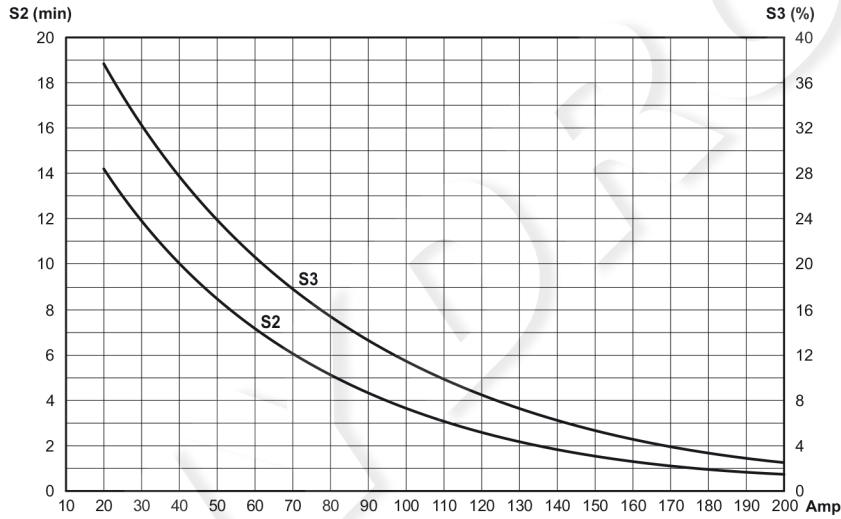
**Current with GR05 / GR1 pumps**  
Displacement 0.2 ÷ 1.0 cc/rev [0.012 ÷ 0.061 in<sup>3</sup>/rev]



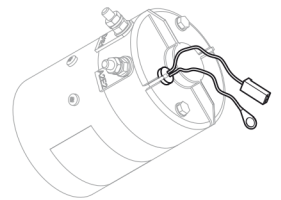
**Current with GR05 / GR1 pumps**  
Displacement 1.2 ÷ 7.8 cc/rev [0.073 ÷ 0.476 in<sup>3</sup>/rev]



### Thermal characteristics S2 - S3



Motor with thermal switch



### ORDERING CODE

Code	Description
<b>25021200</b>	24VDC motor - 2.2 kW
<b>25016700</b>	24VDC motor - 2.2 kW with thermal switch
<b>90340009</b>	Thermal switch Ø 16 mm

Code	Description
<b>KIT07012.026</b>	Starting switch kit 24VDC - 120A (fixing with screws)

Reference data: maximum nominal pressure Pmax = 290 bar. Oil ISO VG32 temperature 35°C (viscosity 40 cSt), outside temperature 25°C.

Maximum nominal current Imax = 200A. Stabilized voltage to 24 Vdc detected at the terminals of the electric motor.