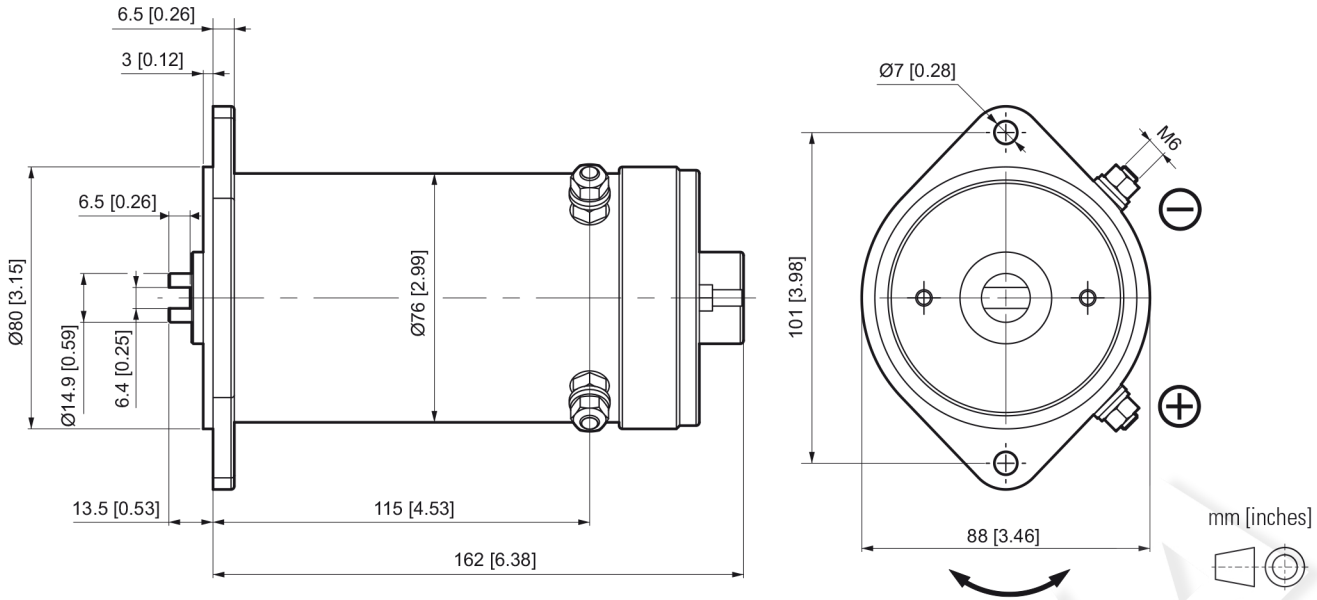


# 25021600

## 12 VDC - 0.7 KW - D.80 MOTOR



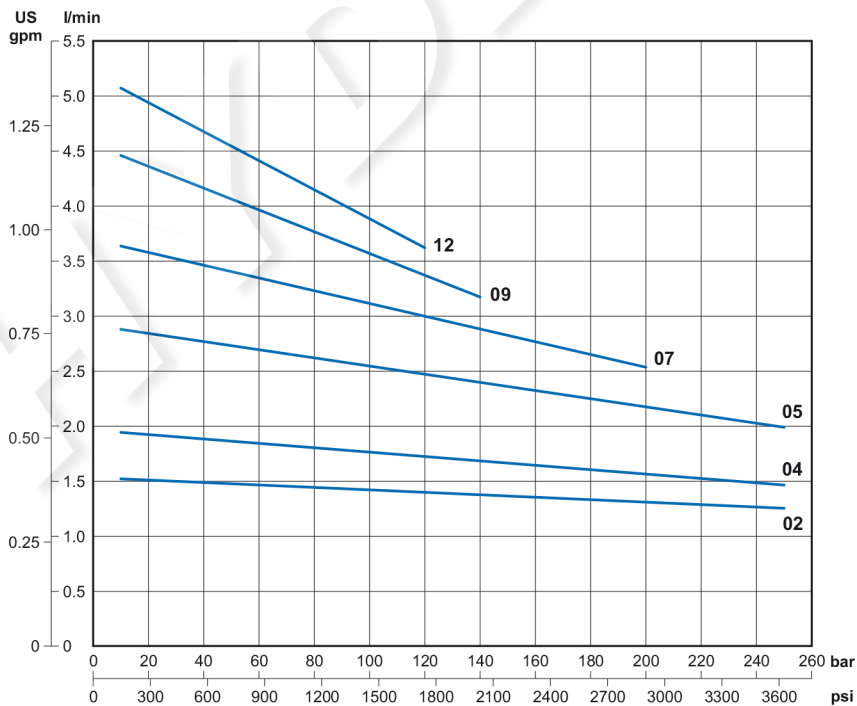
### RATED FEATURES

|  |                  |
|--|------------------|
| Voltage  | 12 VDC           |
| Power  | 0.7 kW           |
| Nominal diameter   | 80 mm [3.15 in]  |
| Motor type   | Permanent magnet |
| Rotation   | CCW-CW           |
| Protection class IP (with motor assembled on hydraulic power pack) | 54               |
| S2 / S3 duty service   | see curves       |
| Insulation class   | F                |
| Weight   | 2.7 kg [5.95 lb] |

### PUMP TYPE

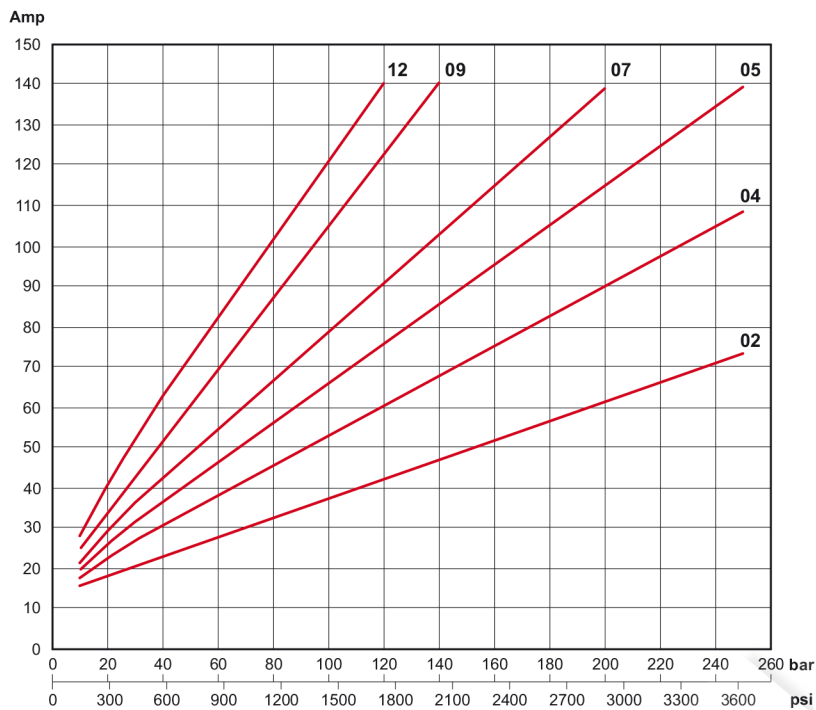
| Code      | cc/rev. | GR (Size) |
|-----------|---------|-----------|
| <b>02</b> | 0.25    | 05        |
| <b>04</b> | 0.45    | 05        |
| <b>05</b> | 0.56    | 05        |
| <b>07</b> | 0.75    | 05/1      |
| <b>09</b> | 0.9     | 05/1      |
| <b>12</b> | 1.2     | 05/1      |

Performance with GR05 / GR1 pumps  
Displacement 0.2 ÷ 1.2 cc/rev [0.012 ÷ 0.073 in<sup>3</sup>/rev]

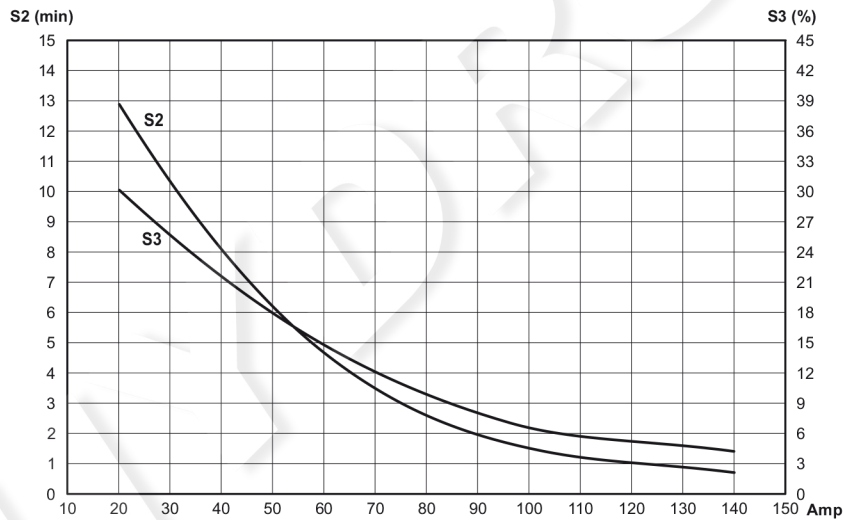


# 25021600

**Current with GR05 / GR1 pumps**  
**Displacement 0.2 ÷ 1.2 cc/rev [0.012 ÷ 0.073 in<sup>3</sup>/rev]**



**Thermal characteristics S2 - S3**



**ORDERING CODE**

| Code            | Description          |
|-----------------|----------------------|
| <b>25021600</b> | 12VDC motor - 0.7 kW |

| Code                | Description  |
|---------------------|--|
| <b>KIT07012.027</b> | Starting switch kit 12VDC - 120A (fixing with clamp) |

Reference data: maximum nominal pressure Pmax = 250 bar. Oil ISO VG32 temperature 35°C (viscosity 40 cSt), outside temperature 25°C.

Maximum nominal current Imax = 140A. Stabilized voltage to 12 Vdc detected at the terminals of the electric motor.