

Part number:

HYDROMA

HYDRAULICKÉ SYSTÉMY

HIDROMA
SYSTEMS

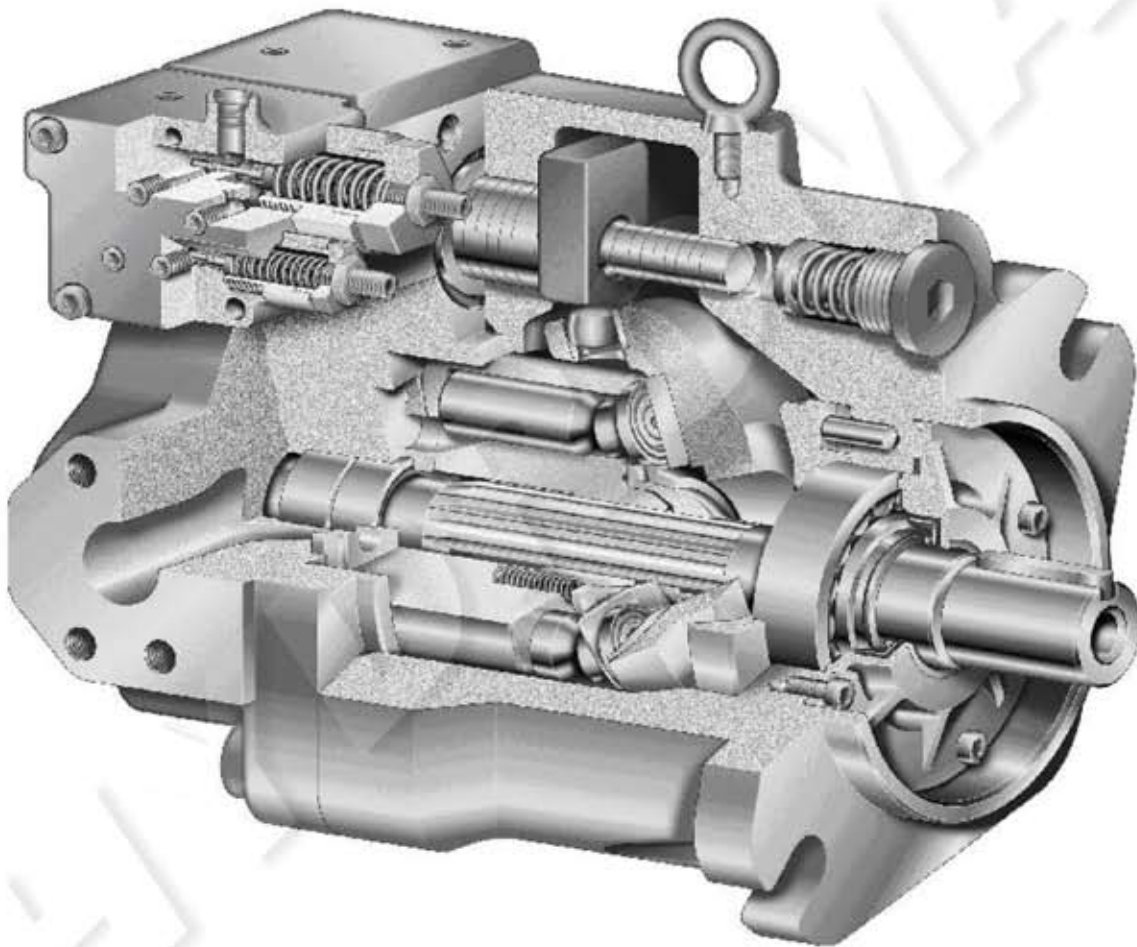
UKŁADY HYDRAULICZNE

HYDROMA

ГИДРАВЛИЧЕСКИЕ СИСТЕМЫ

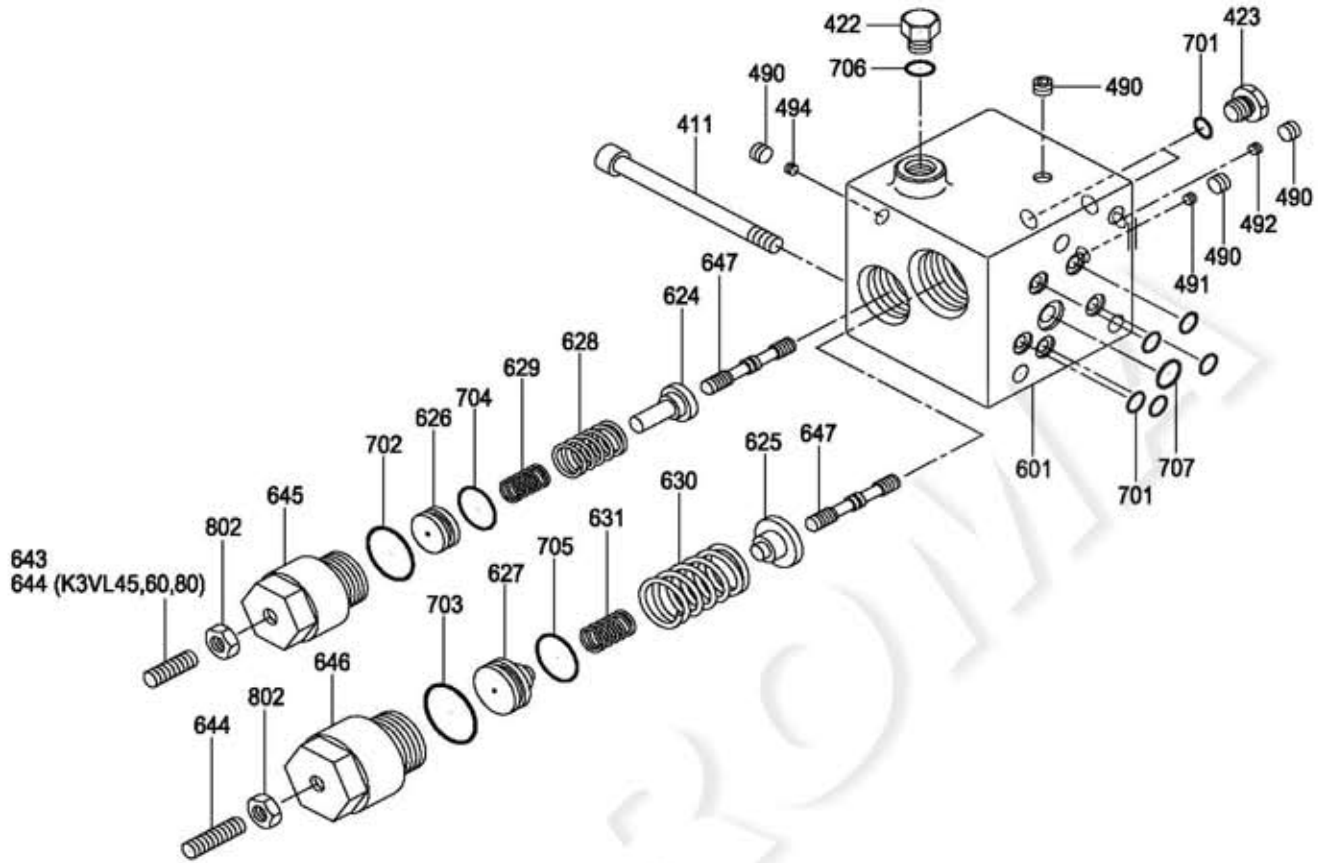
Parts Listing

K3VL 45, 60, 80, 112, 140, 200 Axial Piston Pump

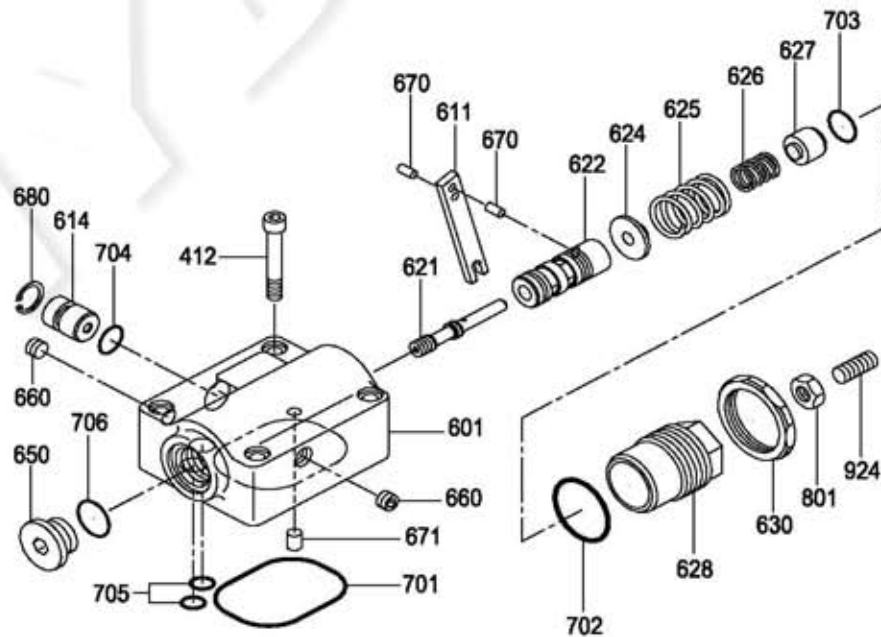


Exploded View

Pressure Cut-off and Load Sensing Control Detail



Torque Limit Module Detail



Spare Parts List

K3VL 45, 60, 80

CODE	DESCRIPTION	K3VL45		K3VL60		K3VL80	
		QTY	Part #	QTY	Part #	QTY	Part #
Main Pump							
011	Piston group assembly (9 pieces)	1	P-29245300470K	1	P-29212500345	1	P-29245300454K
013	Cylinder-Valve Plate Assembly						
	Clockwise	1	P-29211900320K	1	P-29211900329	1	P-29211900322TK
	Counterclockwise	1	P-29211900321K	1	P-29211900335	1	P-29211900323K
030	Swashplate assembly	1	P-29241500131KD	1	P-29241500347	1	P-2953802301
111	Drive shaft						
	"K" SAE keyed shaft	1	P-29242500499K	1	P-29242500499K	1	P-29242500374
	"K" SAE keyed shaft w/thru-drive	1	P-29242500537K	1	P-29242500537K	1	P-29242500529
	"S" SAE spline shaft	1	P-29242500530	1	P-29242500530	1	P-29242500429
	"S" SAE spline shaft w/thru-drive	1	P-29242500538K	1	P-29242500538K	1	P-29242500449K
	"T" SAE spline shaft	1	P-29242500595K	1	P-29242500595K	0	---
	"T" SAE spline shaft w/thru drive	1	P-29242500596	1	P-29242500596	0	---
	"C" SAE spline shaft	0	---	0	---	0	---
	"C" SAE spline shaft w/thru-drive	0	---	0	---	0	---
	"X" SAE keyed shaft	0	---	0	---	0	---
	"X" SAE keyed shaft w/thru-drive	0	---	0	---	0	---
	"W" SAE spline shaft	0	---	0	---	0	---
	"W" SAE spline shaft w/thru-drive	0	---	0	---	0	---
"Y" SAE keyed shaft	0	---	0	---	0	---	
"Y" SAE keyed shaft w/thru-drive	0	---	0	---	0	---	
115	Driveshaft key						
	"K" SAE keyed shaft	1	P-29031800063	1	P-29031800063	1	P-29031800062K
	"X" SAE keyed shaft	0	---	0	---	0	---
	"Y" SAE keyed shaft	0	---	0	---	0	---
123	Front roller bearing	1	P-PNUP206ET	1	P-PNUP206ET	1	P-PNUP307R1KD
124	Rear needle bearing	1	P-PRNA5922	1	P-PRNA5922	1	P-PAJ502809BKD
127	Bearing spacer	2	P-38300127	2	P-38300127	2	P-38600127AKD
153	Set plate	1	P-3840018153	1	P-29241100215	1	P-29241100009K
156	Spherical bush[ing]	1	P-3753700845	1	P-3753700845	1	P-29246100029K
157	Cylinder spring	1	P-38400157	1	P-38400157	9	P-2953801623KD
158	Ring guide	2	P-38400158	2	P-38400158	0	---
159	Roller [pin]	6	P-PJR328F	6	P-PJR328F	0	---
160	Spacer [plate]	1	P-38400160	1	P-38400160	0	---
211	Shoe plate	1	P-3753700859KD	1	P-3753700859KD	1	P-2953801742KD
214	Tilting pin bushing	1	P-P1R152012KD	1	P-P1R152012KD	1	P-P1R152012KD
251	Swashplate support						
	Clockwise	1	P-29233300120	1	P-29233300120	1	P-29233300111
	Counterclockwise	1	P-29233300121	1	P-29233300121	1	P-29233300115
261	[Shaft] seal cover						
	Standard Mounting	1	P-29231500461	1	P-29231500461	1	P-29231500139
271	Pump casing (SAE mounting and ports)						
	W/out torque limit interface	1	P-29232500131	1	P-29232500131	1	P-29232500126
	W/torque limit interface	1	P-29232500125	1	P-29232500125	1	P-29232500123

Spare Parts List

K3VL 45, 60, 80

CODE	DESCRIPTION	K3VL45		K3VL60		K3VL80	
		QTY	Part #	QTY	Part #	QTY	Part #
Main Pump (continued)							
312	Valve cover (Clockwise w/Unified threads)						
	W/side ports and no thru-drive	1	P-29231100321K	1	P-29231100321K	1	P-29231100305
	W/side ports and thru-drive	1	P-29231100320	1	P-29231100320	1	P-29231100310
	*R" w/rear ports	1	P-29231100423	1	P-29231100423	1	P-29231100425K
	Valve cover (Counterclockwise w/Unified threads)						
	*O" w/side ports and no thru-drive		---		---		---
313	W/side ports and thru-drive	1	P-29231100324K	1	P-29231100324K	1	P-29231100311
	*R" w/rear ports	1	P-29231100424	1	P-29231100424	1	P-29231100426K
313	Valve Plate (45 and 60 ONLY)						
	Clockwise	1	P-29247100686	1	P-29247100702		---
401	Counterclockwise	1	P-29247100699	1	P-29247100719		---
	S.H.C.S. (Valve cover to pump casing)	4	P-0SBM1445	4	P-0SBM1445	4	P-0SBM1650
402	S.H.C.S. (Valve cover to pump casing)	0	---	0	---	0	---
406	[Shaft seal cover]						
	Retaining ring	1	P-0RR65	1	P-0RR65	0	---
465	S.H.C.S.	0	---	0	---	4	P-0SBM616KD
	[Air bleed] plug						
467	SAE type	1	P-PPU7KD	1	P-PPU7KD	1	P-PPU7KD
	[Case drain] plug						
490	SAE type	2	P-PPU12	2	P-PPU12	2	P-PPU12
	[Pump casing and Valve cover] Seal coated plug						
492	Clockwise w/out torque limit	5	P-PBP1162403KD	5	P-PBP1162403KD	6	P-PBP1162403KD
	Clockwise w/torque limit	6	P-PBP1162403KD	6	P-PBP1162403KD	6	P-PBP1162403KD
	Counterclockwise w/out torque limit	7	P-PBP1162403KD	7	P-PBP1162403KD	8	P-PBP1162403KD
	Counterclockwise w/torque limit	8	P-PBP1162403KD	8	P-PBP1162403KD	8	P-PBP1162403KD
492	[Swash plate support] plug						
	Clockwise		---		---		---
530	Counterclockwise	1	P-PHK040L	1	P-PHK040L	1	P-PHK040L
	Tilting pin assembly	1	P-29211500011	1	P-29211500011	1	P-2953802963
532	Servo piston	1	P-29244900048	1	P-29244900048	1	P-29244900047
533	[Servo bias] spring	1	P-29033402731K	1	P-29033401585		---
534	[Servo piston] stopper	1	P-29251100122	1	P-29251100322	1	P-29251100100
535	[Outer servo bias] spring		---		---	1	P-29033401599
536	[Inner servo bias] spring		---		---	1	P-29033401600
537	[Servo bias] spring seat	1	P-29032700295	1	P-29032700295	1	P-29032700294
538	[Servo stopper] plug (min displacement side)	1	P-0RH38	1	P-0RH38	1	P-0R0H12
702	[Servo stopper] o-ring						
	Viton (std)	1	P-00RBG25WKD	1	P-00RBG25WKD	1	P-00RBG30WKD
703	[Servo case] o-ring						
	Viton (std)	1	P-00RBG40WKD	1	P-00RBG40WKD	1	P-00RBG45WKD
706	[Regulator passage] o-ring						
	Nitrile (std)	3	P-00RBP8KD	3	P-00RBP8KD	3	P-00RBP8KD
710	[Seal cover] o-ring						
	Nitrile (std)	1	P-00RBG65	1	P-00RBG65	1	P-00RBG85KD
711	[Servo piston plug] o-ring						
	Nitrile (std)	1	P-00RBP14KD	1	P-00RBP14KD	1	P-00RBP18KD

Spare Parts List

K3VL 45, 60, 80

CODE	DESCRIPTION	K3VL45		K3VL60		K3VL80	
		QTY	Part #	QTY	Part #	QTY	Part #
Main Pump (continued)							
719	[Valve cover pilot] o-ring Nitrile (std)	1	P-00RBG115KD	1	P-00RBG115KD	1	P-00RBG125
728	[Case drain port] o-ring (SAE mounting and ports) Nitrile (std)	2	P-PARP568908	2	P-PARP568908	2	P-PARP568908
729	[Air bleed port] o-ring (SAE mounting and ports) Nitrile (std)	1	P-PARP568904	1	P-PARP568904	1	P-PARP568904
774	Shaft seal Viton ("-" (std)	1	P-PMP030F1AKD	1	P-PMP030F1AKD	1	P-PMP035F15KD
792	[Servo stopper] back-up ring	1	P-0T2BG25	1	P-0T2BG25	1	P-0T2BG30
803	Snap ring [Cylinder spring]	1	P-0RR42	1	P-0RR42		---
808	[Max flow set screw lock] nut	1	P-0RNM16KD	1	P-0RNM16KD	1	P-0RNM16KD
824	Snap ring [Shaft-front bearing]	1	P-0SR30	1	P-0SR30	1	P-0SR35
884	[Swashplate guide] pin	1	P-PJR612	1	P-PJR612	1	P-PJR820
885	[Valve plate guide] pin	2	P-0SPV612	2	P-0SPV612	1	P-PJR612
886	[Locating] spring pin	0	---	0	---	1	P-0SPV614
901	[Lifting] eye bolt	1	P-0EBM8	1	P-0EBM8	1	P-0EBM8
954	[Max flow] set screw	1	P-PSSSM1640	1	P-PSSSM1640	1	P-PSSSM1650
981	Nameplate	1	P-PNPA2550C	1	P-PNPA2550C	1	P-PNPA2550C
983	[Nameplate] pin	2	P-0SK2548KD	2	P-0SK2548KD	2	P-0SK2548KD

Spare Parts List

K3VL 45, 60, 80

CODE	DESCRIPTION	K3VL45		K3VL60		K3VL80	
		QTY	Part #	QTY	Part #	QTY	Part #
Pressure Cut-off/Load Sensing Regulator Module							
002	Basic Regulator Assemblies						
	P0 w/o HP	1	P-293LP0AKD	1	P-293LP0AKD	1	P-293LP0AKD
	L0 w/o HP	1	P-293LL0AKD	1	P-293LL0AKD	1	P-293LL0AKD
	P0 w/ HP	1	P-293LP0A1	1	P-293LP0A1	1	P-293LP0A1
	L0 w/ HP	1	P-293LL0A1	1	P-293LL0A1	1	P-293LL0A1
	L1 w/o HP	1	P-293LL1A	1	P-293LL1A	1	P-293LL1A
	L1 w/ HP	1	P-293LL1A1	1	P-293LL1A1	1	P-293LL1A1
411	S.H.C.S. [mounting]	4	P-OSBM670	4	P-OSBM670	4	P-OSBM670
422	Plug [P0/L0 remote port] UNF ("S")	1	P-PPU7KD	1	P-PPU7KD	1	P-PPU7KD
423	Plug [Cut-off and differential]	2	P-0R0H18	2	P-0R0H18	2	P-0R0H18
490	[External cross drilling] plug	9	P-PBP1162403KD	9	P-PBP1162403KD	9	P-PBP1162403KD
491	[Internal cross drilling] plug						
	P0/L0 regulator	1	P-PBP132KD	1	P-PBP132KD	1	P-PBP132KD
	P0/L0 regulator w/torque limiter	2	P-PBP132KD	2	P-PBP132KD	2	P-PBP132KD
492	Restrictor [0.6mm]	1	P-PTRS13206	1	P-PTRS13206	1	P-PTRS13206
494	Restrictor						
	L0 [0.4mm]	1	P-PTRS13204KD	1	P-PTRS13204KD	1	P-PTRS13204KD
	P0 [0.9mm]	1	P-PTRS13209KD	1	P-PTRS13209KD	1	P-PTRS13209KD
601	Casing	1	P-29232900239	1	P-29232900239	1	P-29232900239
624	[Differential] spring seat	1	P-29032700547	1	P-29032700547	1	P-29032700547
625	[Cut-off] spring seat	1	P-29032700540	1	P-29032700540	1	P-29032700540
626	[Differential] stopper	1	P-29251100317	1	P-29251100317	1	P-29251100317
627	[Cut-off] stopper	1	P-29251100136	1	P-29251100136	1	P-29251100136
628	[Differential outer] spring	1	P-29033401321	1	P-29033401321	1	P-29033401321
629	[Differential inner] spring	1	P-29033402573	1	P-29033402573	1	P-29033402573
630	[Cut-off outer] spring	1	P-29033401304	1	P-29033401304	1	P-29033401304
631	[Cut-off inner] spring	1	P-29033401752	1	P-29033401752	1	P-29033401752
643	Set screw [differential]		---		---		---
644	Set screw [cut-off]	2	P-PSSSM825	2	P-PSSSM825	2	P-PSSSM825
645	Plug [Differential spring case]	1	P-29035601177	1	P-29035601177	1	P-29035601177
646	Plug [Cut-off spring case]	1	P-29035600530	1	P-29035600530	1	P-29035600530
647	Spool [Differential] [Cut-off]	2	P-29033202511	2	P-29033202511	2	P-29033202511
701	[Port passage & other] o-ring Nitrile (std)	5	P-00RBP8KD	5	P-00RBP8KD	5	P-00RBP8KD
702	[Differential spring case] o-ring Nitrile (std)	1	P-00RBP14KD	1	P-00RBP14KD	1	P-00RBP14KD
703	[Cut-off spring case] o-ring Nitrile (std)	1	P-00RBP24KD	1	P-00RBP24KD	1	P-00RBP24KD
704	[Differential stopper & Plug(spool case)] o-ring Nitrile (std)	3	P-00RBP8KD	3	P-00RBP8KD	3	P-00RBP8KD
705	[Cut-off stopper] o-ring Nitrile (std)	1	P-00RBP16KD	1	P-00RBP16KD	1	P-00RBP16KD
706	[P0/L0 remote port] o-ring UNF ("S") - Nitrile (std)	1	P-PARP568904	1	P-PARP568904	1	P-PARP568904
707	[Port passage] o-ring Nitrile (std)	1	P-00RBP11KD	1	P-00RBP11KD	1	P-00RBP11KD
802	[Set screw] lock-nut	2	P-0RNM8KD	2	P-0RNM8KD	2	P-0RNM8KD

Spare Parts List

K3VL 45, 60, 80

CODE	DESCRIPTION	K3VL45		K3VL60		K3VL80	
		QTY	Part #	QTY	Part #	QTY	Part #
Torque Limit Control Regulator Module							
003	Basic Torque Limiter Assemblies						
	*S" - Ultra low HP setting	1	P-2934S	1	P-2934S	1	P-2938S
	*L" - Low HP setting	1	P-2934L	1	P-2934L	1	P-2938L
	*M" - Medium HP setting	1	P-2934MKD	1	P-2934MKD	1	P-2938MKD
	*H" - High HP setting	1	P-2934H	1	P-2934H	1	P-2938H
412	Screw (S.H.C.S)	4	P-0SBM640	4	P-0SBM640	4	P-0SBM640
601	Casing	1	P-29232900057	1	P-29232900057	1	P-29232900057
611	Feedback lever	1	P-29251700039	1	P-29251700039	1	P-29251700038
614	[Pivot] plug	1	P-29035400245	1	P-29035400245	1	P-29035400245
621	Spool	1	P-29033202236	1	P-29033202236	1	P-29033202236
622	Sleeve	1	P-29033800251	1	P-29033800251	1	P-29033800251
624	Spring seat	1	P-29032700292	1	P-29032700292	1	P-29032700292
625	Outer spring						
	*S" - Ultra low HP setting	1	P-29033401876K	1	P-29033401876K	1	P-29033401876K
	*L" - Low HP setting	1	P-29033401670K	1	P-29033401670K	1	P-29033401670K
	*M" - Medium HP setting	1	P-29033401668K	1	P-29033401668K	1	P-29033401668K
	*H" - High HP setting	1	P-29033401666K	1	P-29033401666K	1	P-29033401666K
626	Inner spring						
	*S" - Ultra low HP setting	1	P-29033401669K	1	P-29033401669K	1	P-29033401669K
	*L" - Low HP setting	1	P-29033401669K	1	P-29033401669K	1	P-29033401669K
	*M" - Medium HP setting	1	P-29033401667K	1	P-29033401667K	1	P-29033401667K
	*H" - High HP setting	1	P-29033401665K	1	P-29033401665K	1	P-29033401665K
627	[Inner spring] adjustment stem	1	P-29032700293	1	P-29032700293	1	P-29032700293
628	[Outer spring] adjustment plug	1	P-29035600656	1	P-29035600656	1	P-29035600656
630	[Outer adjustment] lock-nut	1	P-29034800146	1	P-29034800146	1	P-29034800146
650	[Spool end] plug	1	P-0R0M18	1	P-0R0M18	1	P-0R0M18
660	[Casing] plug	2	P-PBP1162403KD	2	P-PBP1162403KD	2	P-PBP1162403KD
701	[Case thru-hole] o-ring Nitrile (std)	1	P-00RBG50	1	P-00RBG50	1	P-00RBG50
702	[Outer adjustment] o-ring Nitrile (std)	1	P-00RBG30KD	1	P-00RBG30	1	P-00RBG30
703	[Inner adjustment] o-ring Nitrile (std)	1	P-00RBP15	1	P-00RBP15	1	P-00RBP15
704	[Pivot plug] o-ring Nitrile (std)	1	P-00RBP11KD	1	P-00RBP11KD	1	P-00RBP11KD
705	[Port passage] o-ring Nitrile (std)	2	P-00RBP8KD	2	P-00RBP8KD	2	P-00RBP8KD
706	[Spool end plug] o-ring Nitrile (std)	1	P-00RBP16KD	1	P-00RBP16KD	1	P-00RBP16KD
801	[Inner adjustment] lock-nut	1	P-0NM8	1	P-0NM8	1	P-0NM8
924	Set screw	1	P-PSSSM820	1	P-PSSSM820	1	P-PSSSM820

Spare Parts List

K3VL 45, 60, 80

CODE	DESCRIPTION	K3VL45		K3VL60		K3VL80	
		QTY	Part #	QTY	Part #	QTY	Part #
Thru-drive							
116	Coupling SAE A SAE B SAE BB SAE C SAE C Keyed coupling, K3VL80 only SAE CC SAE D	1 1 1 --- --- --- ---	P-29031500264K P-29031500265K P-29031500266K --- --- --- ---	1 1 1 --- --- --- ---	P-29031500264K P-29031500265K P-29031500266K --- --- --- ---	1 1 1 1 1 --- ---	P-29031500241K P-29031500262K P-29031500267K P-29031500263K P-29031500365K --- ---
263	Thru-drive cover plate "N"	1	P-29247500326	1	P-29247500326	1	P-29247500326
317	Subplate Adapter SAE A SAE B SAE BB SAE C 2-bolt SAE C 4-bolt SAE CC SAE D	--- 1 1 --- --- --- ---	Not required P-29247500358 P-29247500358 --- --- --- ---	--- 1 1 --- --- --- ---	Not required P-29247500358 P-29247500358 --- --- --- ---	--- 1 1 1 1 --- ---	Not required P-29247500354 P-29247500354 P-29247500355 P-29247500439 --- ---
415	S.H.C.S. [Subplate Adapter to Pump] SAE A SAE B SAE BB SAE C SAE CC SAE D	--- 4 4 --- --- ---	Not required P-0SBM825 P-0SBM825 --- --- ---	--- 4 4 --- --- ---	Not required P-0SBM825 P-0SBM825 --- --- ---	--- 4 4 4 --- ---	Not required P-0SBM1025 P-0SBM1025 P-0SBM1030 --- ---
407	S.H.C.S. (Thru-drive cover plate)	2	P-0SBM1020	2	P-0SBM1020	2	P-0SBM1020
742	O-ring [Second pump to subplate] SAE B - Nitrile (Std) SAE BB - Nitrile (Std) SAE C - Nitrile (Std) SAE CC - Nitrile (Std) SAE D - Nitrile (Std)	1 1 --- --- ---	P-00RBG105 P-00RBG105 N/A N/A N/A	1 1 --- --- ---	P-00RBG105 P-00RBG105 N/A N/A N/A	1 1 1 --- ---	P-00RBG105 P-00RBG105 P-00RBG130 N/A N/A
743	[Thru-drive cover & Subplate to valve housing] o-ring Nitrile (Std)	1	P-00RBG85	1	P-00RBG85	1	P-00RBG85

Spare Parts List

K3VL 45, 60, 80

CODE	DESCRIPTION	K3VL45		K3VL60		K3VL80	
		QTY	Part #	QTY	Part #	QTY	Part #
Service kit							
	Rotary Group Kits (Includes items: 011, 013, 211, 153-160)						
	Clockwise		P-29L42802R		P-290606130453		P-29L82803R
	Counterclockwise		P-29L42802L		P-290606130454		P-29L82803L
	Swash Group Kits (Includes items: 030, 251)						
	Clockwise		P-29L42176R		---		P-29L82177R
	Counterclockwise		P-29L42176L		---		P-29L82177L
	Seal Kits (Standard)						
	Pump (Included Shaft Seal)		P-29L4100S0Y		P-29L4100S0Y		P-29L8100S0Y
	P0/L0 Regulator		P-293LP0Y		P-293LP0Y		P-293LP0Y
	Torque Limiter		P-2938HY		P-2938HY		P-2938HY
	Thru-drive						
	SAE A		P-00RBG85KD		P-00RBG85KD		P-00RBG85KD
	SAE B, BB		P-29LHTBY		P-29LHTBY		P-29LHTBY
	SAE C, CC		---		---		P-29LHTCY
	SAE D		---		---		---
	Thru-drive Kits (All Nitrile)						
	SAE A T/D Kit (Coupling & o-ring)		P-29L4TAKD		P-29L4TAKD		P-29L8TAKD
	SAE B Thru-drive Kit		P-29L4TBKD		P-29L4TBKD		P-29L8TBKD
	SAE BB Thru-drive Kit		P-29L4T2KD		P-29L4T2KD		P-29L8T2KD
	SAE C 2-bolt Thru-drive Kit		---		---		P-29L8TCKD
	SAE C 4-bolt Thru-drive Kit		---		---		P-29L8TC4KD
	SAE CC Thru-drive Kit		---		---		---
	SAE D Thru-drive Kit		---		---		---
	Regulator Conversion Kits						
	P0 to L0		P-969-0348		P-969-0348		P-969-0348
	L0 to P0		P-969-0347		P-969-0347		P-969-0347